



## TECHNICAL GUIDE

FOR INSTALLATION IN ALL US REGIONS AND CANADA

### LX SERIES SPLIT SYSTEM HEAT PUMPS

16 SEER – R-410A – 1 PHASE  
1.5 THRU 5 NOMINAL TONS  
MODELS: YHG18 THRU 60



ISO 9001  
Certified Quality  
Management System



Due to continuous product improvement, specifications are subject to change without notice.

Visit us on the web at

[www.simplygettingthejobdone.com](http://www.simplygettingthejobdone.com) and  
[www.york.com](http://www.york.com)

Additional rating information can be found at  
[www.ahridirectory.org](http://www.ahridirectory.org)

#### WARRANTY SUMMARY\*

Extended 10-Years limited parts warranty.

Standard 10-year limited compressor warranty.

**Extended 10-Years limited parts warranty** requires online registration within 90 days of purchase for replacement or closing for new home construction.

\*Does not apply to R-22 models, 3-Phase models, or internet sales.

See Limited Warranty certificate in User's Information Manual for details.

## DESCRIPTION

The YHG models are part of our successful LX Series split system heat pump lineup. These outdoor units are optimized for the new 16 SEER / 9.0 HSPF Minimum Efficiency in all US Regions, and are specifically designed to be matched with York indoor coils, furnaces, and air handlers to provide a complete system solution.

## FEATURES

- **Easier Installation** - Independent panels provide quick access for unit setup. Installation time is reduced by easy power and control wiring access. All models utilize TXV's. The factory installed filter-drier and factory charge for a 15-Ft lineset means less time spent brazing and charging the system. The small base dimension and reduced unit clearances make for easier retrofits.
- **Accessible Information** - QR code on unit provides quick access to technical documents and warranty information.
- **Durable Finish** - The coated steel wire fan guard, coated external fasteners, and pre-treated G90-equivalent galvanized steel chassis components resist corrosion and rust creep. Champagne colored powdercoat paint further protects external panels.
- **Rugged Coil Protection** - Coils are protected from mechanical damage by a proven stamped steel coil guard design.
- **Quality Coils** - Enhanced aluminum fins are mechanically bonded to copper tubing.
- **Protected Compressor** - Compressors are protected internally by a high pressure relief valve and a temperature sensor, and externally by the system high and low pressure switches. The liquid line filter-drier is factory installed to protect the compressor against moisture and debris.
- **Reliable Operation** - Ball bearing fan motors provide superior performance in extreme temperatures. Factory installed accumulator ensures proper functioning across a wide range of conditions.
- **Environmentally Friendly** - CFC-free R-410A refrigerant delivers environmentally friendly performance with zero ozone depletion.
- **Top Discharge** - Warm air is blown up, away from the structure and any landscaping and allows compact location on multi-unit applications.
- **Low Operating Sound Levels** - Developed using CFD and FEA tools, the sturdy cabinet and top design provides sound performance of 76 dBA or lower. Compatible accessories for further sound reduction are also available.
- **Better Service Access** - Diagonal base valves with open access for low-loss fittings, single panel access to the electrical controls, full corner access, and removable fan guard allow easy access for unit maintenance.
- **Agency Listed** - Safety certified by CSA to UL 1995 / CSA 22.2. Performance certified to ANSI/AHRI Standard 210/240 in accordance with the Unitary Small Equipment certification program.

**LIST OF SECTIONS**

**DESCRIPTION** ..... 1  
**FEATURES** ..... 1  
**NOMENCLATURE** ..... 2  
**PHYSICAL AND ELECTRICAL DATA** ..... 3  
**DIMENSIONS** ..... 3  
**SYSTEM CHARGE FOR VARIOUS MATCHED SYSTEMS** ..... 4  
**SYSTEM CAPACITY - Single Piece and Modular Air Handlers** .. 5  
**SYSTEM CAPACITY - Upflow, Downflow & Horizontal Furnaces and Coils (Coil Only Ratings)** ..... 9  
**SYSTEM CAPACITY - With High Efficiency Motor Furnaces** .... 9  
**APPLICATION & ACCESSORIES** ..... 41  
**SOUND POWER RATINGS - COOLING** ..... 41  
**SOUND POWER RATINGS - HEATING** ..... 42  
**MECHANICAL SPECIFICATIONS** ..... 42  
**TYPICAL INSTALLATION** ..... 43  
**TYPICAL FIELD WIRING** ..... 44  
**ALTERNATIVE INSTALLATION CLEARANCES** ..... 44  
**PERFORMANCE DATA - 1.5 TON** ..... 45  
**PERFORMANCE DATA - 2 TON** ..... 50  
**PERFORMANCE DATA - 2.5 TON** ..... 55  
**PERFORMANCE DATA - 3 TON** ..... 62  
**PERFORMANCE DATA - 3.5 TON** ..... 69  
**PERFORMANCE DATA - 4 TON** ..... 76  
**PERFORMANCE DATA - 5 TON** ..... 82

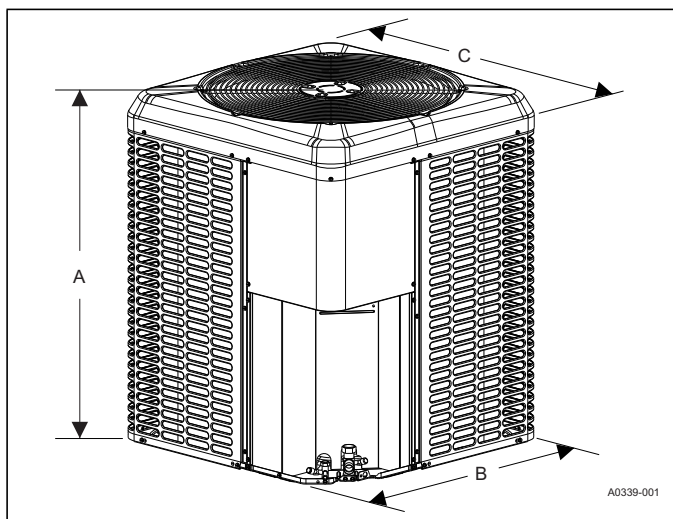
**NOMENCLATURE**

<b>BRAND</b>	<b>Y</b>	Y = York
<b>PRODUCT TYPE</b>	<b>H</b>	H = Heat Pump
<b>NOMINAL SERIES EFFICIENCY AND STAGING</b>	<b>G</b>	G = 16 SEER / 1-Stage
<b>NOMINAL UNIT CAPACITY (MBH)</b>	<b>36</b>	18 = 1.5 Ton      42 = 3.5 Ton 24 = 2 Ton      48 = 4 Ton 30 = 2.5 Ton      60 = 5 Ton 36 = 3 Ton
<b>REFRIGERANT</b>	<b>B</b>	B = R-410A
<b>VOLTAGE (Voltage-Phase-Hertz)</b>	<b>2</b>	2 = 208/230-1-60
<b>GENERATION (MAJOR REVISION)</b>	<b>1</b>	1 = 1st Gen 2 = 2nd Gen etc
<b>FACTORY OPTION</b>	<b>S</b>	S = Standard (No Options)
<b>STYLE LETTER (MINOR REVISION) NOT USED FOR ORDERING</b>	<b>A</b>	A = Style A B = Style B etc

## PHYSICAL AND ELECTRICAL DATA

MODEL	YHG18B21S	YHG24B21S	YHG30B21S	YHG36B21S	YHG42B21S	YHG48B21S	YHG60B21S
Unit Supply Voltage	208-230V, 1 $\phi$ , 60Hz						
Normal Voltage Range <sup>1</sup>	187 to 252						
Minimum Circuit Ampacity	14	15.5	19.6	22	28.7	25.9	32.4
Max. Overcurrent Device Amps <sup>2</sup>	20	25	30	35	45	40	50
Min. Overcurrent Device Amps <sup>3</sup>	15	20	20	25	30	30	35
Compressor Type	Scroll	Scroll	Scroll	Scroll	Scroll	Scroll	Scroll
Compressor Amps	Rated Load	9.0	11.8	13.4	15.4	20.7	23.68
	Locked Rotor	47.5	62.9	72.5	83.9	123.9	152.5
Crankcase Heater	Yes	Yes	Yes	Yes	Yes	Yes	Yes
Factory External Discharge Muffler	Yes	Yes	Yes	Yes	Yes	Yes	Yes
HS Kit Required with TXV	No	No	No	No	No	No	No
HS Kit Part Number (S1-2SA067****) <sup>4</sup>	21806	10106	10106	10106	10106	10106	10106
Fan Diameter Inches	22	24	24	24	26	26	26
Fan Motor	Type	ECM	PSC	ECM	ECM	ECM	ECM
	Rated HP	1/3	1/8	1/3	1/3	1/3	1/3
	Rated Load Amps	2.8	0.80	2.8	2.8	2.8	2.8
	Nominal RPM	682	1075	682	682	682	834
	Nominal CFM	2850	2995	2995	3715	3715	4100
Coil	Face Area Sq. Ft.	17.9	23.8	23.8	23.8	26.4	31.2
	Rows Deep	1	1	1	2	2	2
	Fins / Inch	22	22	22	18	18	18
Liquid Line Set OD (Field Installed)	3/8	3/8	3/8	3/8	3/8	3/8	3/8
Vapor Line Set OD (Field Installed) <sup>5</sup>	3/4	3/4	3/4	3/4	7/8	7/8	1-1/8 <sup>‡</sup>
Unit Charge (Lbs. - Oz.) <sup>6</sup>	6 - 2	9 - 7	8 - 9	11 - 6	13 - 14	14 - 10	16 - 13
Charge Per Foot, Oz.	0.62	0.62	0.62	0.62	0.67	0.67	0.75
Operating Weight Lbs.	165	175	175	230	235	300	300

1. Rated in accordance with AHRI Standard 110-2012, utilization range "A".
  2. Dual element fuses or HACR circuit breaker. Maximum allowable overcurrent protection.
  3. Dual element fuses or HACR circuit breaker. Minimum recommended overcurrent protection.
  4. Use S1-2SA067\*\*\*\* series kit. See Hard Start Kit Accessory Installation Manual.
  5. For applications with non-standard vapor line sizes, see the "Applications & Accessories" section of this Technical Guide.
  6. The Unit Charge is correct for the outdoor unit, smallest matched indoor unit, and 15 feet of refrigerant tubing. For tubing lengths other than 15 feet, add or subtract the amount of refrigerant, using the difference in actual lineset length (not the equivalent length) multiplied by the per foot value.
- ‡ Adapter fitting must be field installed for the required 1-1/8" line set.



## DIMENSIONS

Unit Model	Dimensions (Inches)			Refrigerant Connection Service Valve Size	
	A	B	C	Liquid	Vapor
YHG18B21S	36-1/4	35-1/4	31-3/4	3/8	3/4
YHG24B21S	39-1/2	35-1/4	31-3/4		
YHG30B21S	39-1/2	35-1/4	31-3/4		
YHG36B21S	39-1/2	35-1/4	31-3/4		
YHG42B21S	39-1/2	38	34-1/4	7/8	7/8 <sup>‡</sup>
YHG48B21S	46	38	34-1/4		
YHG60B21S	46	38	34-1/4		

‡ Adapter fitting must be field installed for the required 1-1/8" line set.  
 All dimensions are in inches and are subject to change without notice.  
 Overall height is from bottom of base pan to top of fan guard.  
 Overall length and width include screw heads.

**SYSTEM CHARGE FOR VARIOUS MATCHED SYSTEMS**

Outdoor Unit	YHG18B21S	YHG24B21S	YHG30B21S	YHG36B21S	YHG42B21S	YHG48B21S	YHG60B21S
Required TXV <sup>1,2</sup>	BA1	BA1	BA1	BA1 or BB1	BC1	BC1	BC1 or BD1
Defrost Jumper Pin Setting	2	2	2	2	2	1	1
Indoor Unit <sup>3,4,5</sup>	Additional Charge, oz						
AP18B	–	–	–	–	–	–	–
AP24B	0	–	–	–	–	–	–
AP30B	–	3	8	–	–	–	–
AP36B	–	–	–	–	–	–	–
AP36C	–	–	–	–	–	–	–
AP37C	–	–	–	–	–	–	–
AP42C	–	–	–	–	–	–	–
AP48(C,D)	–	–	–	–	0	–	–
AP60(C,D)	–	–	–	–	–	–	–
AE18B	–	–	–	–	–	–	–
AE24B	0	–	–	–	–	–	–
AE30B	28	0	0	–	–	–	–
AE36(B,C)	–	3	8	0	–	–	–
AE42C	–	–	–	25	0	–	–
AE43C	–	–	–	–	17	–	–
AE48(C,D)	–	–	–	25	0	–	–
AE60C	–	–	–	–	20	0	–
AE60D	–	–	–	–	–	52	0
AVC18B	–	–	–	–	–	–	–
AVC24B	0	–	–	–	–	–	–
AVC30B	28	0	0	–	–	–	–
AVC36(B,C)	–	3	8	0	–	–	–
AVC42C	–	–	–	25	0	–	–
AVC48(C,D)	–	–	–	25	0	–	–
AVC49C	–	–	–	–	17	–	–
AVC60C	–	–	–	–	20	0	–
AVC60D	–	–	–	–	–	52	0
CF/CM/CU18(A,B)	–	–	–	–	–	–	–
CF/CM/CU24(A,B)	0	–	–	–	–	–	–
CF/CM/CU30(A,B,C)	28	0	0	–	–	–	–
CF/CM/CU36(A,B,C)	–	3	8	0	–	–	–
CF/CM/CU42(B,C,D)	–	–	–	–	–	–	–
CF/CM/CU48(C,D)	–	–	–	25	0	–	–
CF/CM50C	–	–	–	–	–	47	–
CF/CM/CU60(C,D)	–	–	–	–	20	0	–
CF/CM61D	–	–	–	–	–	47	–
CF/CM64D	–	–	–	–	–	52	0

Some of the combinations shown in the above System Charge table require Advanced Main Air Circulating Fan indoor product. For approved coil only matches, please see the "COOLING CAPACITY - Upflow, Downflow & Horizontal Furnaces and Coils" table.

**FOOTNOTES:**

1. For applications requiring a TXV, use S1-1TVM\*\*\* series kit.
2. A TXV kit must be used with these indoor units to obtain system performance.
3. Systems matched with furnaces or air handlers not equipped with blower-off delays may require 60 second time delay.
4. CF coils cannot be used in horizontal applications.
5. Charge adders shown above do not indicate that coils are rated for every application. Refer to Performance Data Tables for actual performance for specified system matches. Obtain certified system ratings from [www.ahridirectory.org](http://www.ahridirectory.org).

**CHARGING PROCEDURES:**

1. Check the Factory Unit Charge listed on the unit nameplate to verify the refrigerant charge for the outdoor unit, the smallest matched indoor unit, and the 15 feet of interconnecting lineset.
2. Verify the indoor metering device and additional charge required for the specific matched indoor unit in the system using the above table.
3. Add additional charge for the amount of interconnecting lineset tubing greater than 15 feet at the rate specified in Physical and Electrical Data Table.
4. For installations requiring additional charge, weigh in refrigerant for the specific matching indoor unit and actual lineset length.
5. Once the charge adders for matched indoor unit and for lineset have been weighed in, verify the system operation against the temperatures and pressures in the Charging Chart for the outdoor unit. Locate Charging Charts on the outdoor unit and also in the Service Data Application Guide on [www.simplygettingthejobdone.com](http://www.simplygettingthejobdone.com). Follow the Subcool or Superheat charging procedure in the Installation Manual according to the type of indoor metering device in the system, and allow ten minutes after each charge adjustment for the system operation to stabilize. Record the charge adjustment made to match the Charging Chart.
6. For Downflow and Horizontal-Right Installations, some indoor units require additional charging adjustments to ensure proper equipment operation. Refer to the outdoor unit installation manual.
7. Permanently stamp the unit nameplate with the TOTAL SYSTEM CHARGE defined as follows: TOTAL SYSTEM CHARGE = Base Charge (as shipped) + charge adder for matched indoor unit + charge adder for actual lineset length + charge adjustments to match the Charging Chart.

## SYSTEM CAPACITY - Single Piece and Modular Air Handlers

UNIT MODEL	AIR HANDLER		COIL MODEL <sup>3</sup>	RATED CFM	COOLING <sup>1</sup>				HEATING <sup>2</sup>					
	MODEL	WIDTH			NET MBH		SEER	EER	NET MBH		HSPF Region IV	HSPF Region V	COP	
					TOTAL	SENS.			47°F OD	17°F OD			47°F OD	17°F OD
YHG18B21S	AE24BX21	17.5	--	625	18.0	12.6	17.00	13.00	18.0	11.9	10.00	8.15	4.80	3.24
YHG18B21S	AE30BX21	17.5	--	600	18.0	12.8	17.00	13.00	18.0	11.4	10.00	8.15	4.58	3.08
YHG18B21S	AP24BX21	17.5	--	675	18.0	13.3	16.00	13.00	18.0	12.4	9.50	7.95	4.34	2.96
YHG18B21S	AVC24BX21	17.5	--	600	18.0	12.2	17.00	13.00	18.0	11.7	10.00	8.30	4.62	3.14
YHG18B21S	AVC30BX21	17.5	--	675	18.0	13.8	17.00	13.00	17.2	10.2	9.50	8.40	4.22	2.74
YHG18B21S	ME08BN21	17.5	CF/CM24B	575	18.0	12.1	17.00	13.00	18.0	11.7	10.00	8.30	4.54	3.10
YHG18B21S	ME08BN21	17.5	CF/CM30B	600	18.0	12.8	17.00	13.00	18.0	11.4	10.00	8.25	4.52	3.06
YHG18B21S	ME12BN21	17.5	CF/CM24B	675	18.0	12.9	17.00	13.00	18.0	11.9	10.00	8.15	4.80	3.24
YHG18B21S	ME12BN21	17.5	CF/CM30B	675	18.0	13.4	17.00	13.00	18.0	11.6	10.00	8.15	4.68	3.14
YHG18B21S	ME12CN21	21.0	CF/CM24C	600	18.0	12.2	17.00	13.00	18.0	11.7	10.00	8.25	4.62	3.14
YHG18B21S	ME12CN21	21.0	CF/CM30C	600	18.0	12.8	17.00	13.00	18.0	11.4	10.00	8.25	4.52	3.06
YHG18B21S	MVC08BN21	17.5	CF/CM24B	625	18.0	12.5	17.00	13.00	18.0	11.8	10.00	8.20	4.68	3.18
YHG18B21S	MVC08BN21	17.5	CF/CM30B	650	18.0	13.2	17.00	13.00	18.0	11.5	10.00	8.15	4.64	3.10
YHG18B21S	MVC12CN21	21.0	CF/CM24C	650	18.0	12.7	17.00	13.00	18.0	11.8	10.00	8.20	4.78	3.22
YHG18B21S	MVC12CN21	21.0	CF/CM30C	650	18.0	13.2	17.00	13.00	18.0	11.5	10.00	8.15	4.66	3.14
YHG24B21S	AE30BX21	17.5	--	900	24.0	18.7	16.00	13.00	23.0	13.5	8.50	6.85	3.86	2.36
YHG24B21S	AE36BX21	17.5	--	850	23.8	18.4	16.00	13.00	23.2	14.2	9.00	7.25	4.04	2.58
YHG24B21S	AE36CX21	21.0	--	800	23.4	17.6	16.00	13.00	23.0	14.1	9.00	7.25	4.10	2.60
YHG24B21S	AP30BX21	17.5	--	850	23.2	18.3	15.00	12.25	23.6	14.7	9.00	7.45	3.82	2.46
YHG24B21S	AVC30BX21	17.5	--	900	24.0	18.8	16.00	13.00	23.0	13.5	8.50	6.90	3.76	2.30
YHG24B21S	AVC36BX21	17.5	--	825	23.6	18.1	16.00	13.00	23.2	14.3	9.00	7.70	3.84	2.50
YHG24B21S	AVC36CX21	21.0	--	950	24.0	19.2	17.00	13.00	23.2	14.3	10.00	8.10	4.32	2.70
YHG24B21S	ME08BN21	17.5	CF/CM30B	900	24.0	18.7	16.00	13.00	23.0	13.5	8.50	6.90	3.78	2.30
YHG24B21S	ME08BN21	17.5	CF/CM36B	900	24.0	18.9	16.00	13.00	23.2	14.3	9.00	7.30	4.08	2.60
YHG24B21S	ME12BN21	17.5	CF/CM30B	875	24.0	18.5	16.00	13.00	22.8	13.4	8.20	6.60	3.74	2.30
YHG24B21S	ME12BN21	17.5	CF/CM36B	875	24.0	18.6	17.00	13.00	23.2	14.2	9.00	7.30	4.04	2.58
YHG24B21S	ME12CN21	21.0	CF/CM30C	850	24.0	18.4	16.00	13.00	22.8	13.3	8.20	6.65	3.68	2.26
YHG24B21S	ME12CN21	21.0	CF/CM36C	850	23.8	18.4	17.00	13.00	23.0	14.2	9.00	7.30	3.98	2.56
YHG24B21S	ME16CN21	21.0	CF/CM30C	925	24.0	18.9	16.00	13.00	23.0	13.4	8.50	6.80	3.90	2.36
YHG24B21S	ME16CN21	21.0	CF/CM36C	925	24.0	19.0	17.00	13.00	23.2	14.3	9.00	7.20	4.22	2.66
YHG24B21S	MVC08BN21	17.5	CF/CM30B	800	23.8	17.9	15.00	13.00	22.8	13.3	8.20	6.75	3.52	2.20
YHG24B21S	MVC08BN21	17.5	CF/CM36B	800	23.4	17.8	16.00	13.00	23.0	14.2	9.00	7.45	3.82	2.46
YHG24B21S	MVC12BN21	17.5	CF/CM30B	950	24.0	19.1	16.00	13.00	23.0	13.5	9.00	7.30	3.96	2.38
YHG24B21S	MVC12BN21	17.5	CF/CM36B	950	24.0	19.2	17.00	13.00	23.4	14.4	10.00	8.15	4.28	2.68
YHG24B21S	MVC12CN21	21.0	CF/CM30C	875	24.0	18.5	16.00	13.00	22.8	13.3	8.50	6.90	3.78	2.32
YHG24B21S	MVC12CN21	21.0	CF/CM36C	875	24.0	18.7	17.00	13.00	23.0	14.2	9.50	7.80	4.10	2.60
YHG24B21S	MVC16CN21	21.0	CF/CM30C	925	24.0	18.8	16.00	13.00	22.8	13.4	9.00	7.30	3.92	2.38
YHG24B21S	MVC16CN21	21.0	CF/CM36C	925	24.0	18.9	17.00	13.00	23.2	14.2	9.50	7.65	4.24	2.68

**SYSTEM CAPACITY - Single Piece and Modular Air Handlers**

UNIT MODEL	AIR HANDLER		COIL MODEL <sup>3</sup>	RATED CFM	COOLING <sup>1</sup>				HEATING <sup>2</sup>					
	MODEL	WIDTH			NET MBH		SEER	EER	NET MBH		HSPF Region IV	HSPF Region V	COP	
					TOTAL	SENS.			47°F OD	17°F OD			47°F OD	17°F OD
YHG30B21S	AE30BX21	17.5	–	1125	30.0	22.4	17.00	13.00	28.4	17.2	9.50	7.90	4.12	2.74
YHG30B21S	AE36BX21	17.5	–	1100	30.0	22.0	16.00	13.00	28.6	17.9	9.00	7.55	3.96	2.68
YHG30B21S	AE36CX21	21.0	–	1175	30.0	22.2	16.00	13.00	28.6	17.9	9.00	7.50	4.12	2.76
YHG30B21S	AP30BX21	17.5	–	1075	30.0	22.0	15.00	12.25	29.0	18.3	9.00	7.65	3.76	2.56
YHG30B21S	AVC30BX21	17.5	–	1100	30.0	22.2	16.00	13.00	28.2	17.2	9.00	7.50	4.04	2.72
YHG30B21S	AVC36BX21	17.5	–	1025	30.0	22.0	16.00	13.00	28.2	17.6	9.00	7.80	3.82	2.62
YHG30B21S	AVC36CX21	21.0	–	1100	30.0	21.8	16.00	13.00	28.4	17.6	9.00	7.55	4.00	2.70
YHG30B21S	ME12BN21	17.5	CF/CM30B	1050	30.0	21.8	17.00	13.00	27.8	16.9	9.00	7.45	4.06	2.74
YHG30B21S	ME12BN21	17.5	CF/CM36B	1050	30.0	21.6	16.00	13.00	28.2	17.6	9.00	7.60	3.90	2.66
YHG30B21S	ME12CN21	21.0	CF/CM30C	1000	30.0	21.6	17.00	13.00	27.6	16.7	9.00	7.45	4.06	2.76
YHG30B21S	ME12CN21	21.0	CF/CM36C	1000	30.0	21.2	16.00	13.00	28.0	17.4	9.00	7.60	3.90	2.66
YHG30B21S	ME16CN21	21.0	CF/CM30C	1100	30.0	22.2	17.00	13.00	28.0	16.9	9.00	7.40	4.16	2.80
YHG30B21S	ME16CN21	21.0	CF/CM36C	1100	30.0	21.8	16.00	13.00	28.4	17.6	9.00	7.55	4.00	2.70
YHG30B21S	MVC12BN21	17.5	CF/CM30B	1125	30.0	22.2	17.00	13.00	28.2	17.1	9.00	7.40	4.14	2.76
YHG30B21S	MVC12BN21	17.5	CF/CM36B	1075	30.0	21.8	16.00	13.00	28.4	17.7	9.00	7.55	3.94	2.66
YHG30B21S	MVC12CN21	21.0	CF/CM30C	1175	30.0	22.4	17.00	13.00	28.2	17.0	9.50	7.85	4.28	2.84
YHG30B21S	MVC12CN21	21.0	CF/CM36C	1125	30.0	22.0	16.00	13.00	28.4	17.6	9.00	7.50	4.06	2.74
YHG30B21S	MVC16CN21	21.0	CF/CM30C	1125	30.0	22.2	17.00	13.00	28.0	16.9	9.50	7.90	4.24	2.82
YHG30B21S	MVC16CN21	21.0	CF/CM36C	1125	30.0	22.0	16.00	13.00	28.4	17.6	9.00	7.50	4.06	2.74
YHG36B21S	AE36BX21	17.5	–	975	35.0	22.8	15.00	13.00	35.0	22.8	9.00	7.85	3.68	2.62
YHG36B21S	AE36CX21	21.0	–	975	35.2	23.0	16.00	13.00	35.0	22.6	9.00	7.80	3.74	2.66
YHG36B21S	AE42CX21	21.0	–	950	36.0	23.0	16.00	13.00	36.0	22.8	9.00	7.70	3.76	2.62
YHG36B21S	AE48CX21	21.0	–	1075	36.0	25.0	17.00	13.00	35.6	22.8	9.00	8.15	3.74	2.62
YHG36B21S	AE48DX21	24.5	–	1050	36.0	23.6	16.50	13.00	36.0	22.8	9.00	7.60	3.90	2.66
YHG36B21S	AVC36BX21	17.5	–	925	34.8	22.4	15.00	13.00	34.8	22.6	9.00	7.90	3.60	2.58
YHG36B21S	AVC36CX21	21.0	–	900	35.0	22.2	16.00	13.00	34.6	22.4	9.00	7.85	3.62	2.60
YHG36B21S	AVC42CX21	21.0	–	925	36.0	22.8	16.00	13.00	36.0	22.8	9.00	7.75	3.68	2.58
YHG36B21S	AVC48CX21	21.0	–	925	36.0	22.8	16.00	13.00	36.0	22.8	9.00	7.75	3.70	2.58
YHG36B21S	AVC48DX21	24.5	–	975	36.0	23.2	16.00	13.00	36.0	22.8	9.00	7.75	3.76	2.62
YHG36B21S	ME12BN21	17.5	CF/CM36B	1050	35.4	23.8	15.25	13.00	35.2	22.8	9.00	7.80	3.72	2.64
YHG36B21S	ME12CN21	21.0	CF/CM36C	1000	35.2	23.2	16.00	13.00	35.0	22.6	9.00	7.80	3.70	2.64
YHG36B21S	ME12CN21	21.0	CF/CM48C	1000	36.0	23.4	16.00	13.00	36.0	22.8	9.00	7.70	3.76	2.60
YHG36B21S	ME14DN21	24.5	CF/CM36D	1025	35.4	23.6	16.00	13.00	35.0	22.6	9.00	7.75	3.74	2.66
YHG36B21S	ME14DN21	24.5	CF/CM48D	1025	36.0	23.4	16.00	13.00	36.0	22.8	9.00	7.70	3.78	2.62
YHG36B21S	ME16CN21	21.0	CF/CM36C	1100	35.6	24.2	15.25	13.00	35.4	22.8	9.00	7.75	3.78	2.66
YHG36B21S	ME16CN21	21.0	CF/CM48C	1100	36.0	24.0	16.00	13.00	36.0	23.0	9.00	7.65	3.82	2.62
YHG36B21S	ME20DN21	24.5	CF/CM36D	1275	36.0	26.0	16.00	13.00	35.8	23.0	9.00	7.60	4.02	2.76
YHG36B21S	ME20DN21	24.5	CF/CM48D	1275	36.0	25.0	16.00	13.00	36.0	22.8	9.00	7.50	4.02	2.70

## SYSTEM CAPACITY - Single Piece and Modular Air Handlers

UNIT MODEL	AIR HANDLER		COIL MODEL <sup>3</sup>	RATED CFM	COOLING <sup>1</sup>				HEATING <sup>2</sup>					
	MODEL	WIDTH			NET MBH		SEER	EER	NET MBH		HSPF Region IV	HSPF Region V	COP	
					TOTAL	SENS.			47°F OD	17°F OD			47°F OD	17°F OD
YHG36B21S	MVC12BN21	17.5	CF/CM36B	950	35.0	22.6	15.25	13.00	34.8	22.6	9.00	7.85	3.64	2.60
YHG36B21S	MVC12CN21	21.0	CF/CM36C	1000	35.4	23.4	16.00	13.00	34.8	22.6	9.00	7.80	3.72	2.66
YHG36B21S	MVC12CN21	21.0	CF/CM48C	975	36.0	23.2	16.00	13.00	36.0	22.8	9.00	7.75	3.74	2.62
YHG36B21S	MVC14DN21	24.5	CF/CM36D	1100	35.8	24.4	16.00	13.00	35.2	22.6	9.00	7.70	3.84	2.70
YHG36B21S	MVC14DN21	24.5	CF/CM48D	1000	36.0	23.2	16.50	13.00	36.0	22.8	9.00	7.70	3.78	2.62
YHG36B21S	MVC16CN21	21.0	CF/CM36C	1025	35.4	23.6	16.00	13.00	35.0	22.6	9.00	7.75	3.74	2.66
YHG36B21S	MVC16CN21	21.0	CF/CM48C	1025	36.0	23.4	16.00	13.00	36.0	22.8	9.00	7.70	3.78	2.62
YHG36B21S	MVC20DN21	24.5	CF/CM36D	1175	36.0	25.2	16.00	13.00	35.4	22.8	9.00	7.70	3.92	2.74
YHG36B21S	MVC20DN21	24.5	CF/CM48D	1175	36.0	24.4	16.50	13.00	36.0	22.8	9.00	7.60	3.94	2.68
YHG42B21S	AE42CX21	21.0	–	1150	41.0	27.2	16.00	13.00	42.0	25.4	9.00	7.25	3.76	2.64
YHG42B21S	AE43CX21	21.0	–	1200	41.5	28.4	16.00	13.00	40.5	25.6	9.50	7.90	3.84	2.76
YHG42B21S	AE48CX21	21.0	–	1200	41.0	27.4	16.00	13.00	42.0	25.6	9.00	7.00	3.84	2.70
YHG42B21S	AE48DX21	24.5	–	1250	41.5	28.2	16.50	13.00	42.0	25.6	9.50	7.80	3.90	2.74
YHG42B21S	AE60CX21	21.0	–	1200	41.5	28.4	16.00	13.00	41.5	27.2	9.50	7.80	3.84	2.84
YHG42B21S	AE60CX22	21.0	–	1200	41.5	28.4	16.00	13.00	41.5	27.2	9.50	7.80	3.84	2.84
YHG42B21S	AP48CX21	21.0	–	1300	40.5	28.2	15.00	12.25	42.0	26.8	9.00	7.35	3.68	2.60
YHG42B21S	AVC42CX21	21.0	–	1250	41.0	28.0	16.00	13.00	42.0	25.8	9.00	7.10	3.78	2.66
YHG42B21S	AVC48CX21	21.0	–	1200	41.0	27.6	16.00	13.00	42.0	25.6	9.00	7.15	3.78	2.66
YHG42B21S	AVC48DX21	24.5	–	1225	41.0	27.6	16.50	13.00	42.0	25.4	9.00	7.05	3.82	2.70
YHG42B21S	AVC49CX21	21.0	–	1200	41.5	29.0	16.00	13.00	41.5	26.4	9.50	8.55	3.76	2.78
YHG42B21S	ME14DN21	24.5	CF/CM48D	1200	41.0	27.4	16.00	13.00	42.0	25.4	9.00	7.10	3.80	2.66
YHG42B21S	ME14DN21	24.5	CF/CM60D	1200	41.5	28.4	16.50	13.00	41.0	27.0	9.50	7.80	3.82	2.86
YHG42B21S	ME16CN21	21.0	CF/CM48C	1325	41.0	28.4	16.00	13.00	42.0	26.2	9.00	7.05	3.82	2.70
YHG42B21S	ME16CN21	21.0	CF/CM60C	1325	41.5	29.6	16.00	13.00	42.0	27.4	9.00	6.80	3.86	2.82
YHG42B21S	ME20DN21	24.5	CF/CM48D	1275	41.5	28.4	16.50	13.00	42.0	25.6	9.00	6.95	3.86	2.72
YHG42B21S	ME20DN21	24.5	CF/CM60D	1275	42.0	29.4	16.50	13.00	41.5	27.0	9.50	7.70	3.90	2.86
YHG42B21S	MVC14DN21	24.5	CF/CM48D	1250	41.5	28.2	16.50	13.00	42.0	25.6	9.00	6.90	3.86	2.72
YHG42B21S	MVC14DN21	24.5	CF/CM60D	1250	42.0	29.2	16.50	13.00	41.0	27.0	9.50	7.70	3.90	2.88
YHG42B21S	MVC16CN21	21.0	CF/CM48C	1275	41.5	28.4	16.00	13.00	42.0	25.8	9.00	6.90	3.84	2.70
YHG42B21S	MVC16CN21	21.0	CF/CM60C	1275	42.0	29.4	16.50	13.00	41.5	27.2	9.50	7.75	3.88	2.86
YHG42B21S	MVC20DN21	24.5	CF/CM48D	1275	41.5	28.2	16.50	13.00	42.0	25.6	9.00	6.85	3.88	2.72
YHG42B21S	MVC20DN21	24.5	CF/CM60D	1275	42.0	29.4	16.50	13.00	41.5	27.0	9.50	8.10	3.92	2.88
YHG48B21S	AE60CX22	21.0	–	1400	45.5	31.8	15.50	13.00	46.0	29.6	9.00	7.75	3.86	2.84
YHG48B21S	AE60DX21	24.5	–	1350	47.5	32.2	16.00	13.00	46.5	27.0	9.00	7.40	4.06	2.74
YHG48B21S	AVC60DX21	24.5	–	1425	47.5	32.8	16.00	13.00	47.0	27.6	9.00	7.40	4.06	2.74
YHG48B21S	ME16CN21	21.0	CF/CM50C	1475	48.0	36.4	16.00	13.00	45.5	27.8	8.50	7.30	3.54	2.54
YHG48B21S	ME16CN21	21.0	CF/CM60C	1500	45.5	32.4	15.00	13.00	46.5	30.0	9.00	7.75	3.88	2.84
YHG48B21S	ME20DN21	24.5	CF/CM60D	1500	46.0	32.4	16.00	13.00	46.0	29.6	9.00	7.70	3.98	2.90

**SYSTEM CAPACITY - Single Piece and Modular Air Handlers**

UNIT MODEL	AIR HANDLER		COIL MODEL <sup>3</sup>	RATED CFM	COOLING <sup>1</sup>				HEATING <sup>2</sup>					
	MODEL	WIDTH			NET MBH		SEER	EER	NET MBH		HSPF Region IV	HSPF Region V	COP	
					TOTAL	SENS.			47°F OD	17°F OD			47°F OD	17°F OD
YHG48B21S	ME20DN21	24.5	CF/CM61D	1450	48.0	35.8	16.00	13.00	45.0	27.4	8.50	7.25	3.62	2.60
YHG48B21S	ME20DN21	24.5	CF/CM64D	1475	47.5	33.0	16.50	13.00	47.0	27.6	9.00	7.40	4.14	2.82
YHG48B21S	MV20DN21	24.5	CF/CM61D	1400	46.0	33.2	16.00	13.00	46.5	29.6	9.00	8.15	3.76	2.76
YHG48B21S	MVC16CN21	21.0	CF/CM50C	1425	48.0	35.8	16.00	13.00	45.0	27.6	8.50	7.30	3.58	2.58
YHG48B21S	MVC16CN21	21.0	CF/CM60C	1,400	45.5	31.8	16.00	13.00	46.0	29.4	9.00	7.75	3.86	2.84
YHG48B21S	MVC20DN21	24.5	CF/CM60D	1,375	46.0	31.8	16.00	13.00	45.5	29.2	9.00	7.75	3.90	2.88
YHG48B21S	MVC20DN21	24.5	CF/CM64D	1,550	48.0	34.0	16.00	13.00	47.5	28.2	9.00	7.40	4.20	2.86
YHG60B21S	AE60DX21	24.5	—	1,550	57.5	38.5	15.00	12.50	58.0	36.0	9.00	7.40	3.78	2.60
YHG60B21S	AVC60DX21	24.5	—	1,600	57.5	39.5	15.00	12.50	58.0	36.8	9.50	7.95	3.76	2.60
YHG60B21S	ME20DN21	24.5	CF/CM64D	1,675	57.5	39.5	15.00	12.50	58.0	37.0	9.50	—	3.88	2.68
YHG60B21S	MVC20DN21	24.5	CF/CM61D	1,625	53.0	37.2	14.00	12.00	55.5	35.0	8.20	7.40	3.46	2.30
YHG60B21S	MVC20DN21	24.5	CF/CM64D	1,575	57.5	39.0	15.50	13.00	58.0	36.0	9.50	—	3.84	2.64

Rated in accordance with DOE test procedures (Federal Register 12-27-79 and 3-18-88) and ANSI/AHRI Standard 210/240.

1. Cooling MBH based on 80°F entering air temperature, 50% RH (Relative Humidity), and rated air flow.

EER (Energy Efficiency Ratio) is the total cooling output in BTUs at 95°F outdoor ambient divided by the total electric power in watt-hours at those conditions.

SEER (Seasonal Energy Efficiency Ratio) is the total cooling output in BTUs during a normal annual usage period for cooling divided by the total electric power input in watt-hours during the same period.

2. Heating MBH based on AHRI standards of 70°F DB (Dry Bulb) entering indoor air, 72% RH (Relative Humidity) outdoor air with 25 feet of interconnecting piping and no supplemental electric heat operation.

HSPF (Heating Seasonal Performance Factor) is the total heating output during a normal annual usage period for heating divided by the total electric power input during the same period.

COP (Coefficient of Performance) equals Heating MBH output divided by (total KW input x 3.412).

3. CM coils available with a factory installed horizontal drain pan. See price pages for specific model number.

— = Not applicable.

\* Notates "Hot Heat Pump" performance. These ratings are not AHRI listed.

MP Modular Air Handlers use Coil Only Ratings.



**SYSTEM CAPACITY - Upflow, Downflow & Horizontal Furnaces and Coils (Coil Only Ratings)**

UNIT MODEL	COIL		CFM RANGE (MIN.-MAX.)	COOLING					HEATING					
	MODEL	WIDTH		RATED CFM	NET MBH		SEER <sup>1</sup>	EER	NET MBH		HSPF Region IV	HSPF Region V	COP	
					TOTAL	SENS.			47°F OD	17°F OD			47°F OD	17°F OD
YHG18B21S	CF/CM/CU24A	14.5	450 - 750	600	18.0	12.7	16.00	13.00	18.0	12.3	9.50	8.05	4.18	2.86
YHG18B21S	CF/CM/CU24B	17.5	450 - 750	600	18.0	12.7	16.00	13.00	18.0	12.3	9.50	8.05	4.18	2.86
YHG18B21S	CF/CM24C	21.0	450 - 750	600	18.0	12.7	16.00	13.00	18.0	12.3	9.50	8.05	4.18	2.86
YHG30B21S	CF/CM/CU30A	14.5	800 - 1200	825	28.8	20.2	15.00	13.00	27.6	17.0	8.20	6.95	3.62	2.50
YHG30B21S	CF/CM/CU30B	17.5	800 - 1200	1000	29.4	21.6	15.00	13.00	28.4	17.4	8.50	7.15	3.76	2.56
YHG30B21S	CF/CM30C	21.0	800 - 1200	1000	29.4	21.6	15.00	13.00	28.4	17.4	8.50	7.15	3.76	2.56
YHG42B21S	CF/CM/CU48C	21.0	1200-1600	1400	42.0	30.2	14.00	12.00	42.0	25.6	8.20	7.15	3.54	2.46
YHG42B21S	CF/CM/CU48D	24.0	1200-1600	1400	42.0	30.2	14.00	12.00	42.0	25.6	8.20	7.15	3.54	2.46
YHG42B21S	CF/CM/CU60C	21.0	1200-1600	1400	42.0	31.1	15.00	13.00	41.0	26.8	9.00	7.50	3.58	2.54
YHG60B21S	CF/CM64D	24.5	1520 - 1920	1850	57.5	41.5	14.00	12.00	58.0	39.5	9.00	7.50	3.86	2.70

For rated condition information, see the footnotes below the System Capacity - Single Piece and Modular Air Handlers table.

1. Systems matched with furnaces or air handlers not equipped with blower-off delays may require 60 second time delay.

— = Not Applicable.

MP Modular Air Handlers use Coil Only Ratings.

PSC furnaces, such as the TG8S, TGLS, and TG9S, use Coil Only Ratings.

**SYSTEM CAPACITY - With High Efficiency Motor Furnaces<sup>1</sup>**

UNIT MODEL	FURNACE		COIL MODEL <sup>2</sup>	COOLING					HEATING					
	MODEL	WIDTH		RATED CFM	NET MBH		SEER	EER	NET MBH		HSPF Region IV	HSPF Region V	COP	
					TOTAL	SENS.			47°F OD	17°F OD			47°F OD	17°F OD
YHG18B21S	TM8V060A12MP12C	14.5	CF/CM/CU24A	575	18.0	12.1	17.00	13.00	18.0	11.7	10.00	8.30	4.50	3.06
YHG18B21S	TM8V060A12MP12C	14.5	CF/CM/CU24B	575	18.0	12.1	17.00	13.00	18.0	11.7	10.00	8.35	4.52	3.08
YHG18B21S	TM8V060A12MP12C	14.5	CF/CM/CU30A	575	18.0	12.6	17.00	13.00	18.0	11.4	10.00	8.25	4.38	2.98
YHG18B21S	TM8V060A12MP12C	14.5	CF/CM/CU30B	625	18.0	13.1	17.00	13.00	18.0	11.5	10.00	8.20	4.52	3.04
YHG18B21S	TM8V080B12MP12C	17.5	CF/CM/CU24B	625	18.0	12.5	17.00	13.00	18.0	11.9	10.00	8.30	4.58	3.10
YHG18B21S	TM8V080B12MP12C	17.5	CF/CM/CU30B	550	18.0	12.4	17.00	13.00	18.0	11.4	10.00	8.35	4.32	2.94
YHG18B21S	TM8V080B12MP12C	17.5	CF/CM24C	625	18.0	12.5	17.00	13.00	18.0	11.9	10.00	8.30	4.58	3.12
YHG18B21S	TM8V080B12MP12C	17.5	CF/CM30C	625	18.0	13.1	17.00	13.00	18.0	11.5	10.00	8.25	4.48	3.02
YHG18B21S	TM8X060A12MP11	14.5	CF/CM/CU24A	625	18.0	12.5	17.00	13.00	18.0	11.9	10.00	8.30	4.58	3.10
YHG18B21S	TM8X060A12MP11	14.5	CF/CM/CU24B	650	18.0	12.8	17.00	13.00	18.0	11.9	10.00	8.30	4.66	3.14
YHG18B21S	TM8X060A12MP11	14.5	CF/CM/CU30A	625	18.0	13.1	17.00	13.00	18.0	11.6	10.00	8.25	4.48	3.02
YHG18B21S	TM8X060A12MP11	14.5	CF/CM/CU30B	650	18.0	13.3	17.00	13.00	18.0	11.6	10.00	8.20	4.56	3.06
YHG18B21S	TM8X080B12MP11	17.5	CF/CM/CU24B	675	18.0	13.0	17.00	13.00	18.0	12.0	10.00	8.25	4.72	3.18
YHG18B21S	TM8X080B12MP11	17.5	CF/CM/CU30B	675	18.0	13.5	17.00	13.00	18.0	11.6	10.00	8.15	4.62	3.10
YHG18B21S	TM8X080B12MP11	17.5	CF/CM24C	675	18.0	13.0	17.00	13.00	18.0	12.0	10.00	8.20	4.74	3.20
YHG18B21S	TM8X080B12MP11	17.5	CF/CM30C	675	18.0	13.5	17.00	13.00	18.0	11.6	10.00	8.15	4.64	3.10
YHG18B21S	TM8X080C16MP11	21.0	CF/CM24C	700	18.0	13.1	17.00	13.00	18.0	12.0	10.00	8.20	4.84	3.24

**SYSTEM CAPACITY - With High Efficiency Motor Furnaces<sup>1</sup>**

UNIT MODEL	FURNACE		COIL MODEL <sup>2</sup>	COOLING					HEATING					
	MODEL	WIDTH		RATED CFM	NET MBH		SEER	EER	NET MBH		HSPF Region IV	HSPF Region V	COP	
					TOTAL	SENS.			47°F OD	17°F OD			47°F OD	17°F OD
YHG18B21S	TM8X080C16MP11	21.0	CF/CM30C	700	18.0	13.7	17.00	13.00	18.0	11.6	10.00	8.10	4.72	3.16
YHG18B21S	TM8X100C16MP11	21.0	CF/CM24C	700	18.0	13.1	17.00	13.00	18.0	12.0	10.00	8.20	4.84	3.24
YHG18B21S	TM8X100C16MP11	21.0	CF/CM30C	700	18.0	13.7	17.00	13.00	18.0	11.6	10.00	8.10	4.72	3.16
YHG18B21S	TM8Y060A12MP11	14.5	CF/CM/CU24A	625	18.0	12.5	17.00	13.00	18.0	11.9	10.00	8.30	4.58	3.10
YHG18B21S	TM8Y060A12MP11	14.5	CF/CM/CU24B	650	18.0	12.8	17.00	13.00	18.0	11.9	10.00	8.30	4.66	3.14
YHG18B21S	TM8Y060A12MP11	14.5	CF/CM/CU30A	625	18.0	13.1	17.00	13.00	18.0	11.6	10.00	8.25	4.48	3.02
YHG18B21S	TM8Y060A12MP11	14.5	CF/CM/CU30B	650	18.0	13.3	17.00	13.00	18.0	11.6	10.00	8.20	4.56	3.06
YHG18B21S	TM8Y080B12MP11	17.5	CF/CM/CU24B	675	18.0	13.0	17.00	13.00	18.0	12.0	10.00	8.25	4.72	3.18
YHG18B21S	TM8Y080B12MP11	17.5	CF/CM/CU30B	675	18.0	13.5	17.00	13.00	18.0	11.6	10.00	8.15	4.62	3.10
YHG18B21S	TM8Y080B12MP11	17.5	CF/CM24C	675	18.0	13.0	17.00	13.00	18.0	12.0	10.00	8.20	4.74	3.20
YHG18B21S	TM8Y080B12MP11	17.5	CF/CM30C	675	18.0	13.5	17.00	13.00	18.0	11.6	10.00	8.15	4.64	3.10
YHG18B21S	TM8Y080C16MP11	21.0	CF/CM24C	700	18.0	13.1	17.00	13.00	18.0	12.0	10.00	8.20	4.84	3.24
YHG18B21S	TM8Y080C16MP11	21.0	CF/CM30C	700	18.0	13.7	17.00	13.00	18.0	11.6	10.00	8.10	4.72	3.16
YHG18B21S	TM8Y100C16MP11	21.0	CF/CM24C	700	18.0	13.1	17.00	13.00	18.0	12.0	10.00	8.20	4.84	3.24
YHG18B21S	TM8Y100C16MP11	21.0	CF/CM30C	700	18.0	13.7	17.00	13.00	18.0	11.6	10.00	8.10	4.72	3.16
YHG18B21S	TM9E040A10MP11	14.5	CF/CM/CU24A	675	18.0	13.2	17.00	13.00	18.0	12.3	10.00	8.35	4.46	3.04
YHG18B21S	TM9E040A10MP11	14.5	CF/CM/CU24B	700	18.0	13.4	17.00	13.00	18.0	12.3	10.00	8.30	4.54	3.08
YHG18B21S	TM9E040A10MP11	14.5	CF/CM/CU30A	675	18.0	13.7	16.00	13.00	18.0	11.9	9.50	7.80	4.38	2.94
YHG18B21S	TM9E040A10MP11	14.5	CF/CM/CU30B	700	18.0	13.9	16.00	13.00	18.0	11.9	9.50	7.80	4.46	2.98
YHG18B21S	TM9E060B12MP11	17.5	CF/CM/CU24B	675	18.0	13.0	17.00	13.00	18.0	12.0	10.00	8.25	4.66	3.16
YHG18B21S	TM9E060B12MP11	17.5	CF/CM/CU30B	675	18.0	13.5	17.00	13.00	18.0	11.7	10.00	8.20	4.56	3.06
YHG18B21S	TM9E060B12MP11	17.5	CF/CM24C	675	18.0	13.0	17.00	13.00	18.0	12.0	10.00	8.25	4.66	3.16
YHG18B21S	TM9E060B12MP11	17.5	CF/CM30C	675	18.0	13.5	17.00	13.00	18.0	11.7	10.00	8.20	4.58	3.06
YHG18B21S	TM9E080B12MP11	17.5	CF/CM/CU24B	700	18.0	13.2	17.00	13.00	18.0	12.0	10.00	8.20	4.76	3.20
YHG18B21S	TM9E080B12MP11	17.5	CF/CM/CU30B	700	18.0	13.8	17.00	13.00	18.0	11.7	10.00	8.15	4.66	3.12
YHG18B21S	TM9E080B12MP11	17.5	CF/CM24C	700	18.0	13.2	17.00	13.00	18.0	12.0	10.00	8.20	4.78	3.20
YHG18B21S	TM9E080B12MP11	17.5	CF/CM30C	700	18.0	13.8	17.00	13.00	18.0	11.7	10.00	8.15	4.66	3.12
YHG18B21S	TM9E080C16MP11	21.0	CF/CM24C	600	18.0	12.3	17.00	13.00	18.0	11.8	10.00	8.30	4.58	3.12
YHG18B21S	TM9E080C16MP11	21.0	CF/CM30C	600	18.0	12.8	17.00	13.00	18.0	11.4	10.00	8.25	4.48	3.04
YHG18B21S	TM9E100C16MP11	21.0	CF/CM24C	625	18.0	12.6	17.00	13.00	18.0	11.8	10.00	8.25	4.62	3.14
YHG18B21S	TM9E100C16MP11	21.0	CF/CM30C	625	18.0	13.0	17.00	13.00	18.0	11.5	10.00	8.20	4.52	3.06
YHG18B21S	TM9V040A10MP12C	14.5	CF/CM/CU24A	575	18.0	12.1	17.00	13.00	18.0	11.9	10.00	8.40	4.40	3.00
YHG18B21S	TM9V040A10MP12C	14.5	CF/CM/CU24B	575	18.0	12.2	17.00	13.00	18.0	11.8	10.00	8.40	4.42	3.02
YHG18B21S	TM9V040A10MP12C	14.5	CF/CM/CU30A	575	18.0	12.7	16.00	13.00	18.0	11.5	9.50	7.85	4.30	2.92
YHG18B21S	TM9V040A10MP12C	14.5	CF/CM/CU30B	575	18.0	12.7	16.50	13.25	18.0	11.5	9.00	7.35	4.32	2.94
YHG18B21S	TM9V060B12MP12C	17.5	CF/CM/CU24B	600	18.0	12.3	17.00	13.00	18.0	11.8	10.00	8.30	4.54	3.10
YHG18B21S	TM9V060B12MP12C	17.5	CF/CM/CU30B	550	18.0	12.4	17.00	13.00	18.0	11.3	10.00	8.30	4.34	2.96

SYSTEM CAPACITY - With High Efficiency Motor Furnaces<sup>1</sup>

UNIT MODEL	FURNACE		COIL MODEL <sup>2</sup>	COOLING					HEATING					
	MODEL	WIDTH		RATED CFM	NET MBH		SEER	EER	NET MBH		HSPF Region IV	HSPF Region V	COP	
					TOTAL	SENS.			47°F OD	17°F OD			47°F OD	17°F OD
YHG18B21S	TM9V060B12MP12C	17.5	CF/CM24C	650	18.0	12.8	17.00	13.00	18.0	11.9	10.00	8.25	4.64	3.14
YHG18B21S	TM9V060B12MP12C	17.5	CF/CM30C	600	18.0	12.9	17.00	13.00	18.0	11.5	10.00	8.25	4.44	3.02
YHG18B21S	TM9V080B12MP12C	17.5	CF/CM/CU24B	575	18.0	12.1	17.00	13.00	18.0	11.7	10.00	8.35	4.52	3.08
YHG18B21S	TM9V080B12MP12C	17.5	CF/CM/CU30B	575	18.0	12.6	17.00	13.00	18.0	11.4	10.00	8.30	4.40	3.00
YHG18B21S	TM9V080B12MP12C	17.5	CF/CM24C	625	18.0	12.5	17.00	13.00	18.0	11.8	10.00	8.25	4.62	3.14
YHG18B21S	TM9V080B12MP12C	17.5	CF/CM30C	625	18.0	13.1	17.00	13.00	18.0	11.5	10.00	8.20	4.52	3.06
YHG18B21S	TM9Y040A10MP11	14.5	CF/CM/CU24A	675	18.0	13.2	17.00	13.00	18.0	12.3	10.00	8.35	4.46	3.04
YHG18B21S	TM9Y040A10MP11	14.5	CF/CM/CU24B	700	18.0	13.4	17.00	13.00	18.0	12.3	10.00	8.30	4.54	3.08
YHG18B21S	TM9Y040A10MP11	14.5	CF/CM/CU30A	675	18.0	13.7	16.00	13.00	18.0	11.9	9.50	7.80	4.38	2.94
YHG18B21S	TM9Y040A10MP11	14.5	CF/CM/CU30B	700	18.0	13.9	16.00	13.00	18.0	11.9	9.50	7.80	4.46	2.98
YHG18B21S	TM9Y060B12MP11	17.5	CF/CM/CU24B	675	18.0	13.0	17.00	13.00	18.0	12.0	10.00	8.25	4.66	3.16
YHG18B21S	TM9Y060B12MP11	17.5	CF/CM/CU30B	675	18.0	13.5	17.00	13.00	18.0	11.7	10.00	8.20	4.56	3.06
YHG18B21S	TM9Y060B12MP11	17.5	CF/CM24C	675	18.0	13.0	17.00	13.00	18.0	12.0	10.00	8.25	4.66	3.16
YHG18B21S	TM9Y060B12MP11	17.5	CF/CM30C	675	18.0	13.5	17.00	13.00	18.0	11.7	10.00	8.20	4.58	3.06
YHG18B21S	TM9Y080B12MP11	17.5	CF/CM/CU24B	700	18.0	13.2	17.00	13.00	18.0	12.0	10.00	8.20	4.76	3.20
YHG18B21S	TM9Y080B12MP11	17.5	CF/CM/CU30B	700	18.0	13.8	17.00	13.00	18.0	11.7	10.00	8.15	4.66	3.12
YHG18B21S	TM9Y080B12MP11	17.5	CF/CM24C	700	18.0	13.2	17.00	13.00	18.0	12.0	10.00	8.20	4.78	3.20
YHG18B21S	TM9Y080B12MP11	17.5	CF/CM30C	700	18.0	13.8	17.00	13.00	18.0	11.7	10.00	8.15	4.66	3.12
YHG18B21S	TM9Y080C16MP11	21.0	CF/CM24C	600	18.0	12.3	17.00	13.00	18.0	11.8	10.00	8.30	4.58	3.12
YHG18B21S	TM9Y080C16MP11	21.0	CF/CM30C	600	18.0	12.8	17.00	13.00	18.0	11.4	10.00	8.25	4.48	3.04
YHG18B21S	TM9Y100C16MP11	21.0	CF/CM24C	625	18.0	12.6	17.00	13.00	18.0	11.8	10.00	8.25	4.62	3.14
YHG18B21S	TM9Y100C16MP11	21.0	CF/CM30C	625	18.0	13.0	17.00	13.00	18.0	11.5	10.00	8.20	4.52	3.06
YHG18B21S	TMLV060A12MP12C	14.5	CF/CM/CU24A	575	18.0	12.1	17.00	13.00	18.0	11.7	10.00	8.30	4.50	3.06
YHG18B21S	TMLV060A12MP12C	14.5	CF/CM/CU24B	575	18.0	12.1	17.00	13.00	18.0	11.7	10.00	8.35	4.52	3.08
YHG18B21S	TMLV060A12MP12C	14.5	CF/CM/CU30A	575	18.0	12.6	17.00	13.00	18.0	11.4	10.00	8.25	4.38	2.98
YHG18B21S	TMLV060A12MP12C	14.5	CF/CM/CU30B	625	18.0	13.1	17.00	13.00	18.0	11.5	10.00	8.20	4.52	3.04
YHG18B21S	TMLV080B12MP12C	17.5	CF/CM/CU24B	625	18.0	12.5	17.00	13.00	18.0	11.9	10.00	8.30	4.58	3.10
YHG18B21S	TMLV080B12MP12C	17.5	CF/CM/CU30B	550	18.0	12.4	17.00	13.00	18.0	11.4	10.00	8.35	4.32	2.94
YHG18B21S	TMLV080B12MP12C	17.5	CF/CM24C	625	18.0	12.5	17.00	13.00	18.0	11.9	10.00	8.30	4.58	3.12
YHG18B21S	TMLV080B12MP12C	17.5	CF/CM30C	625	18.0	13.1	17.00	13.00	18.0	11.5	10.00	8.25	4.48	3.02
YHG18B21S	TMLX060A12MP11	14.5	CF/CM/CU24A	625	18.0	12.5	17.00	13.00	18.0	11.9	10.00	8.30	4.58	3.10
YHG18B21S	TMLX060A12MP11	14.5	CF/CM/CU24B	650	18.0	12.8	17.00	13.00	18.0	11.9	10.00	8.30	4.66	3.14
YHG18B21S	TMLX060A12MP11	14.5	CF/CM/CU30A	625	18.0	13.1	17.00	13.00	18.0	11.6	10.00	8.25	4.48	3.02
YHG18B21S	TMLX060A12MP11	14.5	CF/CM/CU30B	650	18.0	13.3	17.00	13.00	18.0	11.6	10.00	8.20	4.56	3.06
YHG18B21S	TMLX080B12MP11	17.5	CF/CM/CU24B	675	18.0	13.0	17.00	13.00	18.0	12.0	10.00	8.25	4.72	3.18
YHG18B21S	TMLX080B12MP11	17.5	CF/CM/CU30B	675	18.0	13.5	17.00	13.00	18.0	11.6	10.00	8.15	4.62	3.10
YHG18B21S	TMLX080B12MP11	17.5	CF/CM24C	675	18.0	13.0	17.00	13.00	18.0	12.0	10.00	8.20	4.74	3.20

**SYSTEM CAPACITY - With High Efficiency Motor Furnaces<sup>1</sup>**

UNIT MODEL	FURNACE		COIL MODEL <sup>2</sup>	COOLING					HEATING					
	MODEL	WIDTH		RATED CFM	NET MBH		SEER	EER	NET MBH		HSPF Region IV	HSPF Region V	COP	
					TOTAL	SENS.			47°F OD	17°F OD			47°F OD	17°F OD
YHG18B21S	TMLX080B12MP11	17.5	CF/CM30C	675	18.0	13.5	17.00	13.00	18.0	11.6	10.00	8.15	4.64	3.10
YHG18B21S	TMLX080C16MP11	21.0	CF/CM24C	700	18.0	13.1	17.00	13.00	18.0	12.0	10.00	8.20	4.84	3.24
YHG18B21S	TMLX080C16MP11	21.0	CF/CM30C	700	18.0	13.7	17.00	13.00	18.0	11.6	10.00	8.10	4.72	3.16
YHG18B21S	TMLX100C16MP11	21.0	CF/CM24C	700	18.0	13.1	17.00	13.00	18.0	12.0	10.00	8.20	4.84	3.24
YHG18B21S	TMLX100C16MP11	21.0	CF/CM30C	700	18.0	13.7	17.00	13.00	18.0	11.6	10.00	8.10	4.72	3.16
YHG18B21S	TP9C060B12MP13C	17.5	CF/CM/CU24B	600	18.0	12.3	17.00	13.00	18.0	11.8	10.00	8.30	4.54	3.10
YHG18B21S	TP9C060B12MP13C	17.5	CF/CM/CU30B	550	18.0	12.4	17.00	13.00	18.0	11.3	10.00	8.30	4.34	2.96
YHG18B21S	TP9C060B12MP13C	17.5	CF/CM24C	650	18.0	12.8	17.00	13.00	18.0	11.9	10.00	8.25	4.64	3.14
YHG18B21S	TP9C060B12MP13C	17.5	CF/CM30C	600	18.0	12.9	17.00	13.00	18.0	11.5	10.00	8.25	4.44	3.02
YHG18B21S	TP9C080B12MP13C	17.5	CF/CM/CU24B	575	18.0	12.1	17.00	13.00	18.0	11.7	10.00	8.35	4.52	3.08
YHG18B21S	TP9C080B12MP13C	17.5	CF/CM/CU30B	575	18.0	12.6	17.00	13.00	18.0	11.4	10.00	8.30	4.40	3.00
YHG18B21S	TP9C080B12MP13C	17.5	CF/CM24C	625	18.0	12.5	17.00	13.00	18.0	11.8	10.00	8.25	4.62	3.14
YHG18B21S	TP9C080B12MP13C	17.5	CF/CM30C	625	18.0	13.1	17.00	13.00	18.0	11.5	10.00	8.20	4.52	3.06
YHG18B21S	TPLC060A12MP13C	14.5	CF/CM/CU24A	575	18.0	12.1	17.00	13.00	18.0	11.7	10.00	8.30	4.50	3.06
YHG18B21S	TPLC060A12MP13C	14.5	CF/CM/CU24B	575	18.0	12.1	17.00	13.00	18.0	11.7	10.00	8.35	4.52	3.08
YHG18B21S	TPLC060A12MP13C	14.5	CF/CM/CU30A	575	18.0	12.6	17.00	13.00	18.0	11.4	10.00	8.25	4.38	2.98
YHG18B21S	TPLC060A12MP13C	14.5	CF/CM/CU30B	625	18.0	13.1	17.00	13.00	18.0	11.5	10.00	8.20	4.52	3.04
YHG18B21S	TPLC080B12MP13C	17.5	CF/CM/CU24B	625	18.0	12.5	17.00	13.00	18.0	11.9	10.00	8.30	4.58	3.10
YHG18B21S	TPLC080B12MP13C	17.5	CF/CM/CU30B	550	18.0	12.4	17.00	13.00	18.0	11.4	10.00	8.35	4.32	2.94
YHG18B21S	TPLC080B12MP13C	17.5	CF/CM24C	625	18.0	12.5	17.00	13.00	18.0	11.9	10.00	8.30	4.58	3.12
YHG18B21S	TPLC080B12MP13C	17.5	CF/CM30C	625	18.0	13.1	17.00	13.00	18.0	11.5	10.00	8.25	4.48	3.02
YHG18B21S	YP9C060B12MP13C	17.5	CF/CM/CU24B	600	18.0	12.3	17.00	13.00	18.0	11.8	10.00	8.30	4.54	3.10
YHG18B21S	YP9C060B12MP13C	17.5	CF/CM/CU30B	550	18.0	12.4	17.00	13.00	18.0	11.3	10.00	8.30	4.34	2.96
YHG18B21S	YP9C060B12MP13C	17.5	CF/CM24C	650	18.0	12.8	17.00	13.00	18.0	11.9	10.00	8.25	4.64	3.14
YHG18B21S	YP9C060B12MP13C	17.5	CF/CM30C	600	18.0	12.9	17.00	13.00	18.0	11.5	10.00	8.25	4.44	3.02
YHG18B21S	YP9C080B12MP13C	17.5	CF/CM/CU24B	575	18.0	12.1	17.00	13.00	18.0	11.7	10.00	8.35	4.52	3.08
YHG18B21S	YP9C080B12MP13C	17.5	CF/CM/CU30B	575	18.0	12.6	17.00	13.00	18.0	11.4	10.00	8.30	4.40	3.00
YHG18B21S	YP9C080B12MP13C	17.5	CF/CM24C	625	18.0	12.5	17.00	13.00	18.0	11.8	10.00	8.25	4.62	3.14
YHG18B21S	YP9C080B12MP13C	17.5	CF/CM30C	625	18.0	13.1	17.00	13.00	18.0	11.5	10.00	8.20	4.52	3.06
YHG18B21S	YPLC060A12MP13C	14.5	CF/CM/CU24A	575	18.0	12.1	17.00	13.00	18.0	11.7	10.00	8.30	4.50	3.06
YHG18B21S	YPLC060A12MP13C	14.5	CF/CM/CU24B	575	18.0	12.1	17.00	13.00	18.0	11.7	10.00	8.35	4.52	3.08
YHG18B21S	YPLC060A12MP13C	14.5	CF/CM/CU30A	575	18.0	12.6	17.00	13.00	18.0	11.4	10.00	8.25	4.38	2.98
YHG18B21S	YPLC060A12MP13C	14.5	CF/CM/CU30B	625	18.0	13.1	17.00	13.00	18.0	11.5	10.00	8.20	4.52	3.04
YHG18B21S	YPLC080B12MP13C	17.5	CF/CM/CU24B	625	18.0	12.5	17.00	13.00	18.0	11.9	10.00	8.30	4.58	3.10
YHG18B21S	YPLC080B12MP13C	17.5	CF/CM/CU30B	550	18.0	12.4	17.00	13.00	18.0	11.4	10.00	8.35	4.32	2.94
YHG18B21S	YPLC080B12MP13C	17.5	CF/CM24C	625	18.0	12.5	17.00	13.00	18.0	11.9	10.00	8.30	4.58	3.12
YHG18B21S	YPLC080B12MP13C	17.5	CF/CM30C	625	18.0	13.1	17.00	13.00	18.0	11.5	10.00	8.25	4.48	3.02

SYSTEM CAPACITY - With High Efficiency Motor Furnaces<sup>1</sup>

UNIT MODEL	FURNACE		COIL MODEL <sup>2</sup>	COOLING					HEATING					
	MODEL	WIDTH		RATED CFM	NET MBH		SEER	EER	NET MBH		HSPF Region IV	HSPF Region V	COP	
					TOTAL	SENS.			47°F OD	17°F OD			47°F OD	17°F OD
YHG24B21S	TM8V060A12MP12C	14.5	CF/CM/CU30A	900	24.0	19.0	15.00	12.75	23.2	13.7	8.20	6.65	3.66	2.26
YHG24B21S	TM8V060A12MP12C	14.5	CF/CM/CU30B	900	24.0	18.8	15.00	13.25	23.0	13.6	8.20	6.60	3.72	2.28
YHG24B21S	TM8V060A12MP12C	14.5	CF/CM/CU36B	900	23.8	18.9	16.00	13.00	23.4	14.5	9.00	7.30	4.02	2.56
YHG24B21S	TM8V060A12MP12C	14.5	CF/CM36A	900	23.8	18.9	16.00	13.00	23.4	14.6	9.00	7.35	3.98	2.54
YHG24B21S	TM8V080B12MP12C	17.5	CF/CM/CU30B	900	24.0	18.9	15.00	12.75	23.2	13.7	8.20	6.65	3.68	2.26
YHG24B21S	TM8V080B12MP12C	17.5	CF/CM/CU36B	900	23.8	18.9	16.00	13.00	23.4	14.6	9.00	7.35	3.98	2.54
YHG24B21S	TM8V080B12MP12C	17.5	CF/CM/CU36C	900	23.8	18.9	16.00	13.00	23.4	14.5	9.00	7.35	4.00	2.54
YHG24B21S	TM8V080B12MP12C	17.5	CF/CM30C	900	24.0	18.9	15.00	13.00	23.2	13.7	8.20	6.65	3.70	2.28
YHG24B21S	TM8V080C16MP12C	21.0	CF/CM/CU36C	950	24.0	19.2	17.00	13.00	23.4	14.4	9.50	7.70	4.24	2.66
YHG24B21S	TM8V080C16MP12C	21.0	CF/CM30C	950	24.0	19.1	16.00	13.00	23.0	13.6	9.00	7.25	3.94	2.38
YHG24B21S	TM8V100C16MP12C	21.0	CF/CM/CU36C	950	24.0	19.2	17.00	13.00	23.4	14.4	9.50	7.70	4.24	2.66
YHG24B21S	TM8V100C16MP12C	21.0	CF/CM30C	950	24.0	19.1	16.00	13.00	23.0	13.6	9.00	7.25	3.94	2.38
YHG24B21S	TM8X060A12MP11	14.5	CF/CM/CU30A	875	24.0	18.8	15.00	12.50	23.2	13.7	8.20	6.70	3.58	2.22
YHG24B21S	TM8X060A12MP11	14.5	CF/CM/CU30B	950	24.0	19.3	15.00	13.25	23.2	13.7	8.50	6.85	3.84	2.34
YHG24B21S	TM8X060A12MP11	14.5	CF/CM/CU36B	950	24.0	19.4	16.00	13.00	23.6	14.6	9.00	7.25	4.14	2.60
YHG24B21S	TM8X060A12MP11	14.5	CF/CM36A	900	23.8	18.9	16.00	13.00	23.6	14.6	9.00	7.35	3.94	2.52
YHG24B21S	TM8X080B12MP11	17.5	CF/CM/CU30B	825	23.8	18.2	15.00	13.00	22.8	13.4	8.20	6.75	3.54	2.20
YHG24B21S	TM8X080B12MP11	17.5	CF/CM/CU36B	825	23.4	18.0	16.00	13.00	23.2	14.3	9.00	7.45	3.84	2.48
YHG24B21S	TM8X080B12MP11	17.5	CF/CM/CU36C	850	23.6	18.3	16.00	13.00	23.2	14.3	9.00	7.40	3.92	2.52
YHG24B21S	TM8X080B12MP11	17.5	CF/CM30C	850	24.0	18.5	15.00	13.00	22.8	13.4	8.20	6.70	3.62	2.24
YHG24B21S	TM8X080C16MP11	21.0	CF/CM/CU36C	700	22.8	16.6	16.00	12.50	22.8	14.0	8.20	6.80	3.54	2.34
YHG24B21S	TM8X100C16MP11	21.0	CF/CM/CU36C	700	22.8	16.6	16.00	12.50	22.8	14.0	8.20	6.80	3.54	2.34
YHG24B21S	TM8Y060A12MP11	14.5	CF/CM/CU30A	875	24.0	18.8	15.00	12.50	23.2	13.7	8.20	6.70	3.58	2.22
YHG24B21S	TM8Y060A12MP11	14.5	CF/CM/CU30B	950	24.0	19.3	15.00	13.25	23.2	13.7	8.50	6.85	3.84	2.34
YHG24B21S	TM8Y060A12MP11	14.5	CF/CM/CU36B	950	24.0	19.4	16.00	13.00	23.6	14.6	9.00	7.25	4.14	2.60
YHG24B21S	TM8Y060A12MP11	14.5	CF/CM36A	900	23.8	18.9	16.00	13.00	23.6	14.6	9.00	7.35	3.94	2.52
YHG24B21S	TM8Y080B12MP11	17.5	CF/CM/CU30B	825	23.8	18.2	15.00	13.00	22.8	13.4	8.20	6.75	3.54	2.20
YHG24B21S	TM8Y080B12MP11	17.5	CF/CM/CU36B	825	23.4	18.0	16.00	13.00	23.2	14.3	9.00	7.45	3.84	2.48
YHG24B21S	TM8Y080B12MP11	17.5	CF/CM/CU36C	850	23.6	18.3	16.00	13.00	23.2	14.3	9.00	7.40	3.92	2.52
YHG24B21S	TM8Y080B12MP11	17.5	CF/CM30C	850	24.0	18.5	15.00	13.00	22.8	13.4	8.20	6.70	3.62	2.24
YHG24B21S	TM8Y080C16MP11	21.0	CF/CM/CU36C	700	22.8	16.6	16.00	12.50	22.8	14.0	8.20	6.80	3.54	2.34
YHG24B21S	TM8Y100C16MP11	21.0	CF/CM/CU36C	700	22.8	16.6	16.00	12.50	22.8	14.0	8.20	6.80	3.54	2.34
YHG24B21S	TM9E040A10MP11	14.5	CF/CM/CU36B	825	23.2	18.0	15.00	12.20	23.6	14.7	8.50	7.00	3.68	2.38
YHG24B21S	TM9E040A10MP11	14.5	CF/CM36A	775	22.8	17.5	14.00	11.50	23.4	14.6	8.20	6.80	3.52	2.32
YHG24B21S	TM9E060B12MP11	17.5	CF/CM/CU30B	950	24.0	19.3	15.00	13.00	23.4	13.9	8.50	6.90	3.78	2.30
YHG24B21S	TM9E060B12MP11	17.5	CF/CM/CU36B	950	24.0	19.5	16.00	13.00	23.6	14.7	9.00	7.25	4.08	2.58
YHG24B21S	TM9E060B12MP11	17.5	CF/CM/CU36C	875	23.6	18.6	16.00	13.00	23.4	14.5	9.00	7.35	3.92	2.52

**SYSTEM CAPACITY - With High Efficiency Motor Furnaces<sup>1</sup>**

UNIT MODEL	FURNACE		COIL MODEL <sup>2</sup>	COOLING					HEATING					
	MODEL	WIDTH		RATED CFM	NET MBH		SEER	EER	NET MBH		HSPF Region IV	HSPF Region V	COP	
					TOTAL	SENS.			47°F OD	17°F OD			47°F OD	17°F OD
YHG24B21S	TM9E060B12MP11	17.5	CF/CM30C	875	24.0	18.8	15.00	12.75	23.0	13.6	8.20	6.70	3.62	2.24
YHG24B21S	TM9E080B12MP11	17.5	CF/CM/CU30B	900	24.0	18.8	15.00	13.25	23.0	13.6	8.20	6.60	3.72	2.28
YHG24B21S	TM9E080B12MP11	17.5	CF/CM/CU36B	900	23.8	18.9	16.00	13.00	23.4	14.5	9.00	7.35	4.02	2.56
YHG24B21S	TM9E080B12MP11	17.5	CF/CM/CU36C	925	24.0	19.1	16.00	13.00	23.4	14.5	9.00	7.25	4.12	2.60
YHG24B21S	TM9E080B12MP11	17.5	CF/CM30C	925	24.0	19.0	16.00	13.00	23.0	13.6	8.50	6.85	3.82	2.32
YHG24B21S	TM9E080C16MP11	21.0	CF/CM/CU36C	600	22.2	15.5	15.00	12.20	22.6	13.9	8.20	6.95	3.30	2.22
YHG24B21S	TM9E100C16MP11	21.0	CF/CM/CU36C	650	22.6	16.1	15.00	12.25	22.8	14.0	8.20	6.90	3.42	2.28
YHG24B21S	TM9V040A10MP12C	14.5	CF/CM/CU30A	900	23.8	19.1	14.00	12.20	23.6	14.0	8.20	6.75	3.54	2.20
YHG24B21S	TM9V040A10MP12C	14.5	CF/CM/CU30B	900	24.0	19.1	14.00	12.50	23.4	13.9	8.20	6.70	3.60	2.22
YHG24B21S	TM9V040A10MP12C	14.5	CF/CM/CU36B	900	23.6	18.9	15.00	12.25	23.6	14.7	9.00	7.40	3.88	2.48
YHG24B21S	TM9V040A10MP12C	14.5	CF/CM36A	900	23.4	18.9	15.00	12.20	23.8	14.9	9.00	7.45	3.82	2.46
YHG24B21S	TM9V060B12MP12C	17.5	CF/CM/CU30B	875	24.0	18.8	15.00	12.75	23.0	13.6	8.20	6.70	3.62	2.24
YHG24B21S	TM9V060B12MP12C	17.5	CF/CM/CU36B	875	23.6	18.6	16.00	13.00	23.4	14.5	9.00	7.35	3.92	2.50
YHG24B21S	TM9V060B12MP12C	17.5	CF/CM/CU36C	900	23.8	18.9	16.00	13.00	23.4	14.5	9.00	7.30	4.00	2.54
YHG24B21S	TM9V060B12MP12C	17.5	CF/CM30C	900	24.0	18.9	15.00	13.00	23.2	13.7	8.20	6.65	3.70	2.28
YHG24B21S	TM9V080B12MP12C	17.5	CF/CM/CU30B	950	24.0	19.3	15.00	13.25	23.2	13.7	8.50	6.85	3.86	2.34
YHG24B21S	TM9V080B12MP12C	17.5	CF/CM/CU36B	950	24.0	19.4	16.00	13.00	23.6	14.6	9.00	7.25	4.16	2.62
YHG24B21S	TM9V080B12MP12C	17.5	CF/CM/CU36C	950	24.0	19.3	16.00	13.00	23.4	14.5	9.00	7.20	4.20	2.64
YHG24B21S	TM9V080B12MP12C	17.5	CF/CM30C	950	24.0	19.2	16.00	13.00	23.2	13.7	8.50	6.85	3.88	2.36
YHG24B21S	TM9V080C16MP12C	21.0	CF/CM/CU36C	950	24.0	19.2	17.00	13.50	23.4	14.5	9.50	7.65	4.22	2.66
YHG24B21S	TM9V080C16MP12C	21.0	CF/CM30C	950	24.0	19.1	16.00	13.00	23.0	13.6	9.00	7.30	3.92	2.36
YHG24B21S	TM9V100C16MP12C	21.0	CF/CM/CU36C	900	24.0	18.9	17.00	13.50	23.2	14.3	9.50	7.75	4.10	2.60
YHG24B21S	TM9V100C16MP12C	21.0	CF/CM30C	900	24.0	18.7	16.00	13.00	23.0	13.5	8.50	6.85	3.78	2.32
YHG24B21S	TM9Y040A10MP11	14.5	CF/CM/CU36B	825	23.2	18.0	15.00	12.20	23.6	14.7	8.50	7.00	3.68	2.38
YHG24B21S	TM9Y040A10MP11	14.5	CF/CM36A	775	22.8	17.5	14.00	11.50	23.4	14.6	8.20	6.80	3.52	2.32
YHG24B21S	TM9Y060B12MP11	17.5	CF/CM/CU30B	950	24.0	19.3	15.00	13.00	23.4	13.9	8.50	6.90	3.78	2.30
YHG24B21S	TM9Y060B12MP11	17.5	CF/CM/CU36B	950	24.0	19.5	16.00	13.00	23.6	14.7	9.00	7.25	4.08	2.58
YHG24B21S	TM9Y060B12MP11	17.5	CF/CM/CU36C	875	23.6	18.6	16.00	13.00	23.4	14.5	9.00	7.35	3.92	2.52
YHG24B21S	TM9Y060B12MP11	17.5	CF/CM30C	875	24.0	18.8	15.00	12.75	23.0	13.6	8.20	6.70	3.62	2.24
YHG24B21S	TM9Y080B12MP11	17.5	CF/CM/CU30B	900	24.0	18.8	15.00	13.25	23.0	13.6	8.20	6.60	3.72	2.28
YHG24B21S	TM9Y080B12MP11	17.5	CF/CM/CU36B	900	23.8	18.9	16.00	13.00	23.4	14.5	9.00	7.35	4.02	2.56
YHG24B21S	TM9Y080B12MP11	17.5	CF/CM/CU36C	925	24.0	19.1	16.00	13.00	23.4	14.5	9.00	7.25	4.12	2.60
YHG24B21S	TM9Y080B12MP11	17.5	CF/CM30C	925	24.0	19.0	16.00	13.00	23.0	13.6	8.50	6.85	3.82	2.32
YHG24B21S	TM9Y080C16MP11	21.0	CF/CM/CU36C	600	22.2	15.5	15.00	12.20	22.6	13.9	8.20	6.95	3.30	2.22
YHG24B21S	TM9Y100C16MP11	21.0	CF/CM/CU36C	650	22.6	16.1	15.00	12.25	22.8	14.0	8.20	6.90	3.42	2.28
YHG24B21S	TMLV060A12MP12C	14.5	CF/CM/CU30A	900	24.0	19.0	15.00	12.75	23.2	13.7	8.20	6.65	3.66	2.26
YHG24B21S	TMLV060A12MP12C	14.5	CF/CM/CU30B	900	24.0	18.8	15.00	13.25	23.0	13.6	8.20	6.60	3.72	2.28

SYSTEM CAPACITY - With High Efficiency Motor Furnaces<sup>1</sup>

UNIT MODEL	FURNACE		COIL MODEL <sup>2</sup>	COOLING					HEATING					
	MODEL	WIDTH		RATED CFM	NET MBH		SEER	EER	NET MBH		HSPF Region IV	HSPF Region V	COP	
					TOTAL	SENS.			47°F OD	17°F OD			47°F OD	17°F OD
YHG24B21S	TMLV060A12MP12C	14.5	CF/CM/CU36B	900	23.8	18.9	16.00	13.00	23.4	14.5	9.00	7.30	4.02	2.56
YHG24B21S	TMLV060A12MP12C	14.5	CF/CM36A	900	23.8	18.9	16.00	13.00	23.4	14.6	9.00	7.35	3.98	2.54
YHG24B21S	TMLV080B12MP12C	17.5	CF/CM/CU30B	900	24.0	18.9	15.00	12.75	23.2	13.7	8.20	6.65	3.68	2.26
YHG24B21S	TMLV080B12MP12C	17.5	CF/CM/CU36B	900	23.8	18.9	16.00	13.00	23.4	14.6	9.00	7.35	3.98	2.54
YHG24B21S	TMLV080B12MP12C	17.5	CF/CM/CU36C	900	23.8	18.9	16.00	13.00	23.4	14.5	9.00	7.35	4.00	2.54
YHG24B21S	TMLV080B12MP12C	17.5	CF/CM30C	900	24.0	18.9	15.00	13.00	23.2	13.7	8.20	6.65	3.70	2.28
YHG24B21S	TMLV080C16MP12C	21.0	CF/CM/CU36C	950	24.0	19.2	17.00	13.00	23.4	14.4	9.50	7.70	4.24	2.66
YHG24B21S	TMLV080C16MP12C	21.0	CF/CM30C	950	24.0	19.1	16.00	13.00	23.0	13.6	9.00	7.25	3.94	2.38
YHG24B21S	TMLV100C16MP12C	21.0	CF/CM/CU36C	950	24.0	19.2	17.00	13.00	23.4	14.4	9.50	7.70	4.24	2.66
YHG24B21S	TMLV100C16MP12C	21.0	CF/CM30C	950	24.0	19.1	16.00	13.00	23.0	13.6	9.00	7.25	3.94	2.38
YHG24B21S	TMLX060A12MP11	14.5	CF/CM/CU30A	875	24.0	18.8	15.00	12.50	23.2	13.7	8.20	6.70	3.58	2.22
YHG24B21S	TMLX060A12MP11	14.5	CF/CM/CU30B	950	24.0	19.3	15.00	13.25	23.2	13.7	8.50	6.85	3.84	2.34
YHG24B21S	TMLX060A12MP11	14.5	CF/CM/CU36B	950	24.0	19.4	16.00	13.00	23.6	14.6	9.00	7.25	4.14	2.60
YHG24B21S	TMLX060A12MP11	14.5	CF/CM36A	900	23.8	18.9	16.00	13.00	23.6	14.6	9.00	7.35	3.94	2.52
YHG24B21S	TMLX080B12MP11	17.5	CF/CM/CU30B	825	23.8	18.2	15.00	13.00	22.8	13.4	8.20	6.75	3.54	2.20
YHG24B21S	TMLX080B12MP11	17.5	CF/CM/CU36B	825	23.4	18.0	16.00	13.00	23.2	14.3	9.00	7.45	3.84	2.48
YHG24B21S	TMLX080B12MP11	17.5	CF/CM/CU36C	850	23.6	18.3	16.00	13.00	23.2	14.3	9.00	7.40	3.92	2.52
YHG24B21S	TMLX080B12MP11	17.5	CF/CM30C	850	24.0	18.5	15.00	13.00	22.8	13.4	8.20	6.70	3.62	2.24
YHG24B21S	TMLX080C16MP11	21.0	CF/CM/CU36C	700	22.8	16.6	16.00	12.50	22.8	14.0	8.20	6.80	3.54	2.34
YHG24B21S	TMLX100C16MP11	21.0	CF/CM/CU36C	700	22.8	16.6	16.00	12.50	22.8	14.0	8.20	6.80	3.54	2.34
YHG24B21S	TP9C060B12MP13C	17.5	CF/CM/CU30B	875	24.0	18.8	15.00	12.75	23.0	13.6	8.20	6.70	3.62	2.24
YHG24B21S	TP9C060B12MP13C	17.5	CF/CM/CU36B	875	23.6	18.6	16.00	13.00	23.4	14.5	9.00	7.35	3.92	2.50
YHG24B21S	TP9C060B12MP13C	17.5	CF/CM/CU36C	900	23.8	18.9	16.00	13.00	23.4	14.5	9.00	7.30	4.00	2.54
YHG24B21S	TP9C060B12MP13C	17.5	CF/CM30C	900	24.0	18.9	15.00	13.00	23.2	13.7	8.20	6.65	3.70	2.28
YHG24B21S	TP9C080B12MP13C	17.5	CF/CM/CU30B	950	24.0	19.3	15.00	13.25	23.2	13.7	8.50	6.85	3.86	2.34
YHG24B21S	TP9C080B12MP13C	17.5	CF/CM/CU36B	950	24.0	19.4	16.00	13.00	23.6	14.6	9.00	7.25	4.16	2.62
YHG24B21S	TP9C080B12MP13C	17.5	CF/CM/CU36C	950	24.0	19.3	16.00	13.00	23.4	14.5	9.00	7.20	4.20	2.64
YHG24B21S	TP9C080B12MP13C	17.5	CF/CM30C	950	24.0	19.2	16.00	13.00	23.2	13.7	8.50	6.85	3.88	2.36
YHG24B21S	TP9C080C16MP13C	21.0	CF/CM/CU36C	950	24.0	19.2	17.00	13.50	23.4	14.5	9.50	7.65	4.22	2.66
YHG24B21S	TP9C080C16MP13C	21.0	CF/CM30C	950	24.0	19.1	16.00	13.00	23.0	13.6	9.00	7.30	3.92	2.36
YHG24B21S	TP9C100C16MP13C	21.0	CF/CM/CU36C	900	24.0	18.9	17.00	13.50	23.2	14.3	9.50	7.75	4.10	2.60
YHG24B21S	TP9C100C16MP13C	21.0	CF/CM30C	900	24.0	18.7	16.00	13.00	23.0	13.5	8.50	6.85	3.78	2.32
YHG24B21S	TPLC060A12MP13C	14.5	CF/CM/CU30A	900	24.0	19.0	15.00	12.75	23.2	13.7	8.20	6.65	3.66	2.26
YHG24B21S	TPLC060A12MP13C	14.5	CF/CM/CU30B	900	24.0	18.8	15.00	13.25	23.0	13.6	8.20	6.60	3.72	2.28
YHG24B21S	TPLC060A12MP13C	14.5	CF/CM/CU36B	900	23.8	18.9	16.00	13.00	23.4	14.5	9.00	7.30	4.02	2.56
YHG24B21S	TPLC060A12MP13C	14.5	CF/CM36A	900	23.8	18.9	16.00	13.00	23.4	14.6	9.00	7.35	3.98	2.54
YHG24B21S	TPLC080B12MP13C	17.5	CF/CM/CU30B	900	24.0	18.9	15.00	12.75	23.2	13.7	8.20	6.65	3.68	2.26

**SYSTEM CAPACITY - With High Efficiency Motor Furnaces<sup>1</sup>**

UNIT MODEL	FURNACE		COIL MODEL <sup>2</sup>	COOLING					HEATING					
	MODEL	WIDTH		RATED CFM	NET MBH		SEER	EER	NET MBH		HSPF Region IV	HSPF Region V	COP	
					TOTAL	SENS.			47°F OD	17°F OD			47°F OD	17°F OD
YHG24B21S	TPLC080B12MP13C	17.5	CF/CM/CU36B	900	23.8	18.9	16.00	13.00	23.4	14.6	9.00	7.35	3.98	2.54
YHG24B21S	TPLC080B12MP13C	17.5	CF/CM/CU36C	900	23.8	18.9	16.00	13.00	23.4	14.5	9.00	7.35	4.00	2.54
YHG24B21S	TPLC080B12MP13C	17.5	CF/CM30C	900	24.0	18.9	15.00	13.00	23.2	13.7	8.20	6.65	3.70	2.28
YHG24B21S	TPLC080C16MP13C	21.0	CF/CM/CU36C	950	24.0	19.2	17.00	13.00	23.4	14.4	9.50	7.70	4.24	2.66
YHG24B21S	TPLC080C16MP13C	21.0	CF/CM30C	950	24.0	19.1	16.00	13.00	23.0	13.6	9.00	7.25	3.94	2.38
YHG24B21S	TPLC100C16MP13C	21.0	CF/CM/CU36C	950	24.0	19.2	17.00	13.00	23.4	14.4	9.50	7.70	4.24	2.66
YHG24B21S	TPLC100C16MP13C	21.0	CF/CM30C	950	24.0	19.1	16.00	13.00	23.0	13.6	9.00	7.25	3.94	2.38
YHG24B21S	YP9C060B12MP13C	17.5	CF/CM/CU30B	875	24.0	18.8	15.00	12.75	23.0	13.6	8.20	6.70	3.62	2.24
YHG24B21S	YP9C060B12MP13C	17.5	CF/CM/CU36B	875	23.6	18.6	16.00	13.00	23.4	14.5	9.00	7.35	3.92	2.50
YHG24B21S	YP9C060B12MP13C	17.5	CF/CM/CU36C	900	23.8	18.9	16.00	13.00	23.4	14.5	9.00	7.30	4.00	2.54
YHG24B21S	YP9C060B12MP13C	17.5	CF/CM30C	900	24.0	18.9	15.00	13.00	23.2	13.7	8.20	6.65	3.70	2.28
YHG24B21S	YP9C080B12MP13C	17.5	CF/CM/CU30B	950	24.0	19.3	15.00	13.25	23.2	13.7	8.50	6.85	3.86	2.34
YHG24B21S	YP9C080B12MP13C	17.5	CF/CM/CU36B	950	24.0	19.4	16.00	13.00	23.6	14.6	9.00	7.25	4.16	2.62
YHG24B21S	YP9C080B12MP13C	17.5	CF/CM/CU36C	950	24.0	19.3	16.00	13.00	23.4	14.5	9.00	7.20	4.20	2.64
YHG24B21S	YP9C080B12MP13C	17.5	CF/CM30C	950	24.0	19.2	16.00	13.00	23.2	13.7	8.50	6.85	3.88	2.36
YHG24B21S	YP9C080C16MP13C	21.0	CF/CM/CU36C	950	24.0	19.2	17.00	13.50	23.4	14.5	9.50	7.65	4.22	2.66
YHG24B21S	YP9C080C16MP13C	21.0	CF/CM30C	950	24.0	19.1	16.00	13.00	23.0	13.6	9.00	7.30	3.92	2.36
YHG24B21S	YP9C100C16MP13C	21.0	CF/CM/CU36C	900	24.0	18.9	17.00	13.50	23.2	14.3	9.50	7.75	4.10	2.60
YHG24B21S	YP9C100C16MP13C	21.0	CF/CM30C	900	24.0	18.7	16.00	13.00	23.0	13.5	8.50	6.85	3.78	2.32
YHG24B21S	YPLC060A12MP13C	14.5	CF/CM/CU30A	900	24.0	19.0	15.00	12.75	23.2	13.7	8.20	6.65	3.66	2.26
YHG24B21S	YPLC060A12MP13C	14.5	CF/CM/CU30B	900	24.0	18.8	15.00	13.25	23.0	13.6	8.20	6.60	3.72	2.28
YHG24B21S	YPLC060A12MP13C	14.5	CF/CM/CU36B	900	23.8	18.9	16.00	13.00	23.4	14.5	9.00	7.30	4.02	2.56
YHG24B21S	YPLC060A12MP13C	14.5	CF/CM36A	900	23.8	18.9	16.00	13.00	23.4	14.6	9.00	7.35	3.98	2.54
YHG24B21S	YPLC080B12MP13C	17.5	CF/CM/CU30B	900	24.0	18.9	15.00	12.75	23.2	13.7	8.20	6.65	3.68	2.26
YHG24B21S	YPLC080B12MP13C	17.5	CF/CM/CU36B	900	23.8	18.9	16.00	13.00	23.4	14.6	9.00	7.35	3.98	2.54
YHG24B21S	YPLC080B12MP13C	17.5	CF/CM/CU36C	900	23.8	18.9	16.00	13.00	23.4	14.5	9.00	7.35	4.00	2.54
YHG24B21S	YPLC080B12MP13C	17.5	CF/CM30C	900	24.0	18.9	15.00	13.00	23.2	13.7	8.20	6.65	3.70	2.28
YHG24B21S	YPLC080C16MP13C	21.0	CF/CM/CU36C	950	24.0	19.2	17.00	13.00	23.4	14.4	9.50	7.70	4.24	2.66
YHG24B21S	YPLC080C16MP13C	21.0	CF/CM30C	950	24.0	19.1	16.00	13.00	23.0	13.6	9.00	7.25	3.94	2.38
YHG24B21S	YPLC100C16MP13C	21.0	CF/CM/CU36C	950	24.0	19.2	17.00	13.00	23.4	14.4	9.50	7.70	4.24	2.66
YHG24B21S	YPLC100C16MP13C	21.0	CF/CM30C	950	24.0	19.1	16.00	13.00	23.0	13.6	9.00	7.25	3.94	2.38
YHG30B21S	TM8V060A12MP12C	14.5	CF/CM/CU30A	975	29.6	21.4	16.00	13.00	28.0	17.1	9.00	7.60	3.84	2.62
YHG30B21S	TM8V060A12MP12C	14.5	CF/CM/CU30B	1150	30.0	22.6	16.00	13.00	28.6	17.5	9.00	7.50	4.00	2.68
YHG30B21S	TM8V060A12MP12C	14.5	CF/CM/CU36B	900	29.8	20.8	16.00	13.00	27.8	17.4	8.50	7.25	3.70	2.56
YHG30B21S	TM8V060A12MP12C	14.5	CF/CM36A	1050	30.0	22.0	15.00	12.25	28.6	18.0	9.00	7.70	3.74	2.56
YHG30B21S	TM8V080B12MP12C	17.5	CF/CM/CU30B	1000	29.8	21.8	16.00	13.00	28.0	17.2	9.00	7.60	3.86	2.62
YHG30B21S	TM8V080B12MP12C	17.5	CF/CM/CU36B	900	29.6	20.6	15.00	13.00	28.0	17.5	8.50	7.25	3.66	2.54



SYSTEM CAPACITY - With High Efficiency Motor Furnaces<sup>1</sup>

UNIT MODEL	FURNACE		COIL MODEL <sup>2</sup>	COOLING					HEATING					
	MODEL	WIDTH		RATED CFM	NET MBH		SEER	EER	NET MBH		HSPF Region IV	HSPF Region V	COP	
					TOTAL	SENS.			47°F OD	17°F OD			47°F OD	17°F OD
YHG30B21S	TM8V080B12MP12C	17.5	CF/CM/CU36C	1000	30.0	21.6	15.00	12.50	28.4	17.8	9.00	7.70	3.74	2.56
YHG30B21S	TM8V080B12MP12C	17.5	CF/CM30C	1100	30.0	22.6	16.00	13.00	28.4	17.4	9.00	7.55	3.94	2.64
YHG30B21S	TM8V080C16MP12C	21.0	CF/CM/CU36C	1050	30.0	21.6	16.00	13.00	28.2	17.7	9.00	7.60	3.90	2.64
YHG30B21S	TM8V080C16MP12C	21.0	CF/CM30C	1150	30.0	22.4	17.00	13.00	28.4	17.2	9.50	7.95	4.14	2.76
YHG30B21S	TM8V100C16MP12C	21.0	CF/CM/CU36C	1050	30.0	21.6	16.00	13.00	28.2	17.7	9.00	7.60	3.90	2.64
YHG30B21S	TM8V100C16MP12C	21.0	CF/CM30C	1150	30.0	22.4	17.00	13.00	28.4	17.2	9.50	7.95	4.14	2.76
YHG30B21S	TM8V100C20MP12C	21.0	CF/CM/CU36C	1150	30.0	22.0	16.00	13.00	28.6	17.8	9.00	7.55	4.02	2.72
YHG30B21S	TM8V100C20MP12C	21.0	CF/CM30C	1150	30.0	22.4	17.00	13.00	28.2	17.1	9.00	7.40	4.20	2.80
YHG30B21S	TM8V120C20MP12C	21.0	CF/CM/CU36C	1150	30.0	22.0	16.00	13.00	28.6	17.8	9.00	7.55	4.02	2.72
YHG30B21S	TM8V120C20MP12C	21.0	CF/CM30C	1150	30.0	22.4	17.00	13.00	28.2	17.1	9.00	7.40	4.20	2.80
YHG30B21S	TM8X060A12MP11	14.5	CF/CM/CU30A	875	29.4	20.6	16.00	13.00	27.6	16.8	9.00	7.60	3.78	2.60
YHG30B21S	TM8X060A12MP11	14.5	CF/CM/CU30B	1125	30.0	22.6	16.00	13.00	28.6	17.5	9.00	7.55	3.96	2.66
YHG30B21S	TM8X060A12MP11	14.5	CF/CM/CU36B	1125	30.0	22.4	15.00	12.50	29.0	18.2	9.00	7.65	3.82	2.58
YHG30B21S	TM8X060A12MP11	14.5	CF/CM36A	1075	30.0	22.0	15.00	12.25	28.8	18.2	9.00	7.70	3.74	2.56
YHG30B21S	TM8X080B12MP11	17.5	CF/CM/CU30B	1175	30.0	22.8	16.00	13.00	28.6	17.5	9.00	7.50	4.04	2.70
YHG30B21S	TM8X080B12MP11	17.5	CF/CM/CU36B	975	30.0	21.2	16.00	13.00	28.0	17.6	9.00	7.65	3.78	2.60
YHG30B21S	TM8X080B12MP11	17.5	CF/CM/CU36C	1000	30.0	21.4	16.00	13.00	28.2	17.6	9.00	7.70	3.82	2.62
YHG30B21S	TM8X080B12MP11	17.5	CF/CM30C	1200	30.0	23.0	16.00	13.00	28.8	17.6	9.00	7.45	4.08	2.72
YHG30B21S	TM8X080C16MP11	21.0	CF/CM/CU36C	1150	30.0	22.2	16.00	13.00	28.6	17.9	9.00	7.55	4.00	2.68
YHG30B21S	TM8X080C16MP11	21.0	CF/CM30C	1150	30.0	22.4	17.00	13.00	28.2	17.2	9.50	7.90	4.14	2.76
YHG30B21S	TM8X100C16MP11	21.0	CF/CM/CU36C	1150	30.0	22.2	16.00	13.00	28.6	17.9	9.00	7.55	4.00	2.68
YHG30B21S	TM8X100C16MP11	21.0	CF/CM30C	1150	30.0	22.4	17.00	13.00	28.2	17.2	9.50	7.90	4.14	2.76
YHG30B21S	TM8X100C20MP11	21.0	CF/CM/CU36C	1000	30.0	21.2	16.00	13.00	28.0	17.4	9.00	7.60	3.88	2.66
YHG30B21S	TM8X100C20MP11	21.0	CF/CM30C	1000	30.0	21.6	17.00	13.00	27.6	16.7	9.00	7.45	4.04	2.74
YHG30B21S	TM8X120C20MP11	21.0	CF/CM/CU36C	1000	30.0	21.2	16.00	13.00	28.0	17.4	9.00	7.60	3.88	2.66
YHG30B21S	TM8X120C20MP11	21.0	CF/CM30C	1000	30.0	21.6	17.00	13.00	27.6	16.7	9.00	7.45	4.04	2.74
YHG30B21S	TM8Y060A12MP11	14.5	CF/CM/CU30A	875	29.4	20.6	16.00	13.00	27.6	16.8	9.00	7.60	3.78	2.60
YHG30B21S	TM8Y060A12MP11	14.5	CF/CM/CU30B	1125	30.0	22.6	16.00	13.00	28.6	17.5	9.00	7.55	3.96	2.66
YHG30B21S	TM8Y060A12MP11	14.5	CF/CM/CU36B	1125	30.0	22.4	15.00	12.50	29.0	18.2	9.00	7.65	3.82	2.58
YHG30B21S	TM8Y060A12MP11	14.5	CF/CM36A	1075	30.0	22.0	15.00	12.25	28.8	18.2	9.00	7.70	3.74	2.56
YHG30B21S	TM8Y080B12MP11	17.5	CF/CM/CU30B	1175	30.0	22.8	16.00	13.00	28.6	17.5	9.00	7.50	4.04	2.70
YHG30B21S	TM8Y080B12MP11	17.5	CF/CM/CU36B	975	30.0	21.2	16.00	13.00	28.0	17.6	9.00	7.65	3.78	2.60
YHG30B21S	TM8Y080B12MP11	17.5	CF/CM/CU36C	1000	30.0	21.4	16.00	13.00	28.2	17.6	9.00	7.70	3.82	2.62
YHG30B21S	TM8Y080B12MP11	17.5	CF/CM30C	1200	30.0	23.0	16.00	13.00	28.8	17.6	9.00	7.45	4.08	2.72
YHG30B21S	TM8Y080C16MP11	21.0	CF/CM/CU36C	1150	30.0	22.2	16.00	13.00	28.6	17.9	9.00	7.55	4.00	2.68
YHG30B21S	TM8Y080C16MP11	21.0	CF/CM30C	1150	30.0	22.4	17.00	13.00	28.2	17.2	9.50	7.90	4.14	2.76
YHG30B21S	TM8Y100C16MP11	21.0	CF/CM/CU36C	1150	30.0	22.2	16.00	13.00	28.6	17.9	9.00	7.55	4.00	2.68

**SYSTEM CAPACITY - With High Efficiency Motor Furnaces<sup>1</sup>**

UNIT MODEL	FURNACE		COIL MODEL <sup>2</sup>	COOLING					HEATING					
	MODEL	WIDTH		RATED CFM	NET MBH		SEER	EER	NET MBH		HSPF Region IV	HSPF Region V	COP	
					TOTAL	SENS.			47°F OD	17°F OD			47°F OD	17°F OD
YHG30B21S	TM8Y100C16MP11	21.0	CF/CM30C	1150	30.0	22.4	17.00	13.00	28.2	17.2	9.50	7.90	4.14	2.76
YHG30B21S	TM8Y100C20MP11	21.0	CF/CM/CU36C	1000	30.0	21.2	16.00	13.00	28.0	17.4	9.00	7.60	3.88	2.66
YHG30B21S	TM8Y100C20MP11	21.0	CF/CM30C	1000	30.0	21.6	17.00	13.00	27.6	16.7	9.00	7.45	4.04	2.74
YHG30B21S	TM8Y120C20MP11	21.0	CF/CM/CU36C	1000	30.0	21.2	16.00	13.00	28.0	17.4	9.00	7.60	3.88	2.66
YHG30B21S	TM8Y120C20MP11	21.0	CF/CM30C	1000	30.0	21.6	17.00	13.00	27.6	16.7	9.00	7.45	4.04	2.74
YHG30B21S	TM9E040A10MP11	14.5	CF/CM/CU30A	750	28.6	19.5	16.00	13.00	27.2	16.7	8.50	7.30	3.58	2.50
YHG30B21S	TM9E040A10MP11	14.5	CF/CM/CU30B	800	29.0	20.0	16.00	13.00	27.4	16.7	8.50	7.20	3.66	2.54
YHG30B21S	TM9E040A10MP11	14.5	CF/CM/CU36B	800	29.2	19.9	15.00	12.25	27.8	17.5	8.20	7.05	3.50	2.46
YHG30B21S	TM9E040A10MP11	14.5	CF/CM36A	775	29.0	19.7	15.00	12.25	27.6	17.4	8.20	7.05	3.48	2.44
YHG30B21S	TM9E060B12MP11	17.5	CF/CM/CU30B	1100	30.0	22.6	16.00	13.00	28.6	17.5	9.00	7.55	3.90	2.62
YHG30B21S	TM9E060B12MP11	17.5	CF/CM/CU36B	950	29.8	21.2	15.00	13.00	28.2	17.7	8.50	7.25	3.70	2.56
YHG30B21S	TM9E060B12MP11	17.5	CF/CM/CU36C	975	30.0	21.4	15.00	13.00	28.2	17.7	9.00	7.70	3.74	2.58
YHG30B21S	TM9E060B12MP11	17.5	CF/CM30C	1125	30.0	22.6	16.00	13.00	28.6	17.5	9.00	7.50	3.94	2.64
YHG30B21S	TM9E080B12MP11	17.5	CF/CM/CU30B	1150	30.0	22.6	16.00	13.00	28.6	17.5	9.00	7.50	4.00	2.68
YHG30B21S	TM9E080B12MP11	17.5	CF/CM/CU36B	875	29.6	20.4	16.00	13.00	27.8	17.3	8.50	7.25	3.68	2.56
YHG30B21S	TM9E080B12MP11	17.5	CF/CM/CU36C	1000	30.0	21.4	16.00	13.00	28.2	17.6	9.00	7.65	3.80	2.60
YHG30B21S	TM9E080B12MP11	17.5	CF/CM30C	1175	30.0	22.8	16.00	13.00	28.6	17.5	9.00	7.50	4.04	2.70
YHG30B21S	TM9E080C16MP11	21.0	CF/CM/CU36C	975	30.0	21.2	16.00	13.00	28.0	17.5	9.00	7.65	3.80	2.62
YHG30B21S	TM9E080C16MP11	21.0	CF/CM30C	1125	30.0	22.4	17.00	13.00	28.4	17.2	9.50	7.95	4.06	2.72
YHG30B21S	TM9E100C16MP11	21.0	CF/CM/CU36C	975	30.0	21.2	16.00	13.00	28.0	17.5	9.00	7.65	3.82	2.62
YHG30B21S	TM9E100C16MP11	21.0	CF/CM30C	1150	30.0	22.6	17.00	13.00	28.4	17.2	9.50	7.90	4.12	2.74
YHG30B21S	TM9E100C20MP11	21.0	CF/CM/CU36C	1175	30.0	22.4	16.00	13.00	28.8	18.0	9.00	7.55	4.00	2.68
YHG30B21S	TM9E100C20MP11	21.0	CF/CM30C	1175	30.0	22.6	17.00	13.00	28.4	17.3	9.50	7.90	4.16	2.76
YHG30B21S	TM9V040A10MP12C	14.5	CF/CM/CU30A	875	29.0	20.6	15.00	13.00	27.8	17.0	8.50	7.20	3.68	2.54
YHG30B21S	TM9V040A10MP12C	14.5	CF/CM/CU30B	900	29.4	21.0	16.00	13.00	27.8	16.9	8.50	7.15	3.76	2.58
YHG30B21S	TM9V040A10MP12C	14.5	CF/CM/CU36B	900	29.4	20.6	15.00	12.25	28.0	17.7	8.50	7.25	3.60	2.50
YHG30B21S	TM9V040A10MP12C	14.5	CF/CM36A	800	29.2	19.9	15.00	12.50	27.8	17.4	8.20	7.05	3.52	2.48
YHG30B21S	TM9V060B12MP12C	17.5	CF/CM/CU30B	1100	30.0	22.6	16.00	13.00	28.6	17.5	9.00	7.55	3.92	2.64
YHG30B21S	TM9V060B12MP12C	17.5	CF/CM/CU36B	1100	30.0	22.2	15.00	12.25	28.8	18.2	9.00	7.70	3.78	2.56
YHG30B21S	TM9V060B12MP12C	17.5	CF/CM/CU36C	1100	30.0	22.2	15.00	12.50	28.8	18.1	9.00	7.70	3.82	2.60
YHG30B21S	TM9V060B12MP12C	17.5	CF/CM30C	1100	30.0	22.4	16.00	13.00	28.4	17.4	9.00	7.55	3.94	2.66
YHG30B21S	TM9V080B12MP12C	17.5	CF/CM/CU30B	1050	30.0	22.0	16.00	13.00	28.2	17.2	9.00	7.55	3.96	2.68
YHG30B21S	TM9V080B12MP12C	17.5	CF/CM/CU36B	875	29.6	20.4	16.00	13.00	27.8	17.3	8.50	7.25	3.68	2.56
YHG30B21S	TM9V080B12MP12C	17.5	CF/CM/CU36C	950	30.0	21.2	16.00	13.00	28.0	17.5	9.00	7.70	3.76	2.58
YHG30B21S	TM9V080B12MP12C	17.5	CF/CM30C	1150	30.0	22.6	16.00	13.00	28.6	17.4	9.00	7.45	4.02	2.70
YHG30B21S	TM9V080C16MP12C	21.0	CF/CM/CU36C	1025	30.0	21.6	16.00	13.00	28.2	17.7	9.00	7.65	3.84	2.62
YHG30B21S	TM9V080C16MP12C	21.0	CF/CM30C	1125	30.0	22.4	17.00	13.00	28.2	17.2	9.50	7.95	4.08	2.72

SYSTEM CAPACITY - With High Efficiency Motor Furnaces<sup>1</sup>

UNIT MODEL	FURNACE		COIL MODEL <sup>2</sup>	COOLING					HEATING					
	MODEL	WIDTH		RATED CFM	NET MBH		SEER	EER	NET MBH		HSPF Region IV	HSPF Region V	COP	
					TOTAL	SENS.			47°F OD	17°F OD			47°F OD	17°F OD
YHG30B21S	TM9V100C16MP12C	21.0	CF/CM/CU36C	1075	30.0	21.8	16.00	13.00	28.4	17.7	9.00	7.55	3.94	2.68
YHG30B21S	TM9V100C16MP12C	21.0	CF/CM30C	1175	30.0	22.6	17.00	13.00	28.4	17.2	9.50	7.90	4.18	2.78
YHG30B21S	TM9V100C20MP12C	21.0	CF/CM/CU36C	1100	30.0	22.0	16.00	13.00	28.4	17.8	9.00	7.60	3.94	2.66
YHG30B21S	TM9V100C20MP12C	21.0	CF/CM30C	1100	30.0	22.2	17.00	13.00	28.2	17.1	9.50	7.95	4.10	2.74
YHG30B21S	TM9Y040A10MP11	14.5	CF/CM/CU30A	750	28.6	19.5	16.00	13.00	27.2	16.7	8.50	7.30	3.58	2.50
YHG30B21S	TM9Y040A10MP11	14.5	CF/CM/CU30B	800	29.0	20.0	16.00	13.00	27.4	16.7	8.50	7.20	3.66	2.54
YHG30B21S	TM9Y040A10MP11	14.5	CF/CM/CU36B	800	29.2	19.9	15.00	12.25	27.8	17.5	8.20	7.05	3.50	2.46
YHG30B21S	TM9Y040A10MP11	14.5	CF/CM36A	775	29.0	19.7	15.00	12.25	27.6	17.4	8.20	7.05	3.48	2.44
YHG30B21S	TM9Y060B12MP11	17.5	CF/CM/CU30B	1100	30.0	22.6	16.00	13.00	28.6	17.5	9.00	7.55	3.90	2.62
YHG30B21S	TM9Y060B12MP11	17.5	CF/CM/CU36B	950	29.8	21.2	15.00	13.00	28.2	17.7	8.50	7.25	3.70	2.56
YHG30B21S	TM9Y060B12MP11	17.5	CF/CM/CU36C	975	30.0	21.4	15.00	13.00	28.2	17.7	9.00	7.70	3.74	2.58
YHG30B21S	TM9Y060B12MP11	17.5	CF/CM30C	1125	30.0	22.6	16.00	13.00	28.6	17.5	9.00	7.50	3.94	2.64
YHG30B21S	TM9Y080B12MP11	17.5	CF/CM/CU30B	1150	30.0	22.6	16.00	13.00	28.6	17.5	9.00	7.50	4.00	2.68
YHG30B21S	TM9Y080B12MP11	17.5	CF/CM/CU36B	875	29.6	20.4	16.00	13.00	27.8	17.3	8.50	7.25	3.68	2.56
YHG30B21S	TM9Y080B12MP11	17.5	CF/CM/CU36C	1000	30.0	21.4	16.00	13.00	28.2	17.6	9.00	7.65	3.80	2.60
YHG30B21S	TM9Y080B12MP11	17.5	CF/CM30C	1175	30.0	22.8	16.00	13.00	28.6	17.5	9.00	7.50	4.04	2.70
YHG30B21S	TM9Y080C16MP11	21.0	CF/CM/CU36C	975	30.0	21.2	16.00	13.00	28.0	17.5	9.00	7.65	3.80	2.62
YHG30B21S	TM9Y080C16MP11	21.0	CF/CM30C	1125	30.0	22.4	17.00	13.00	28.4	17.2	9.50	7.95	4.06	2.72
YHG30B21S	TM9Y100C16MP11	21.0	CF/CM/CU36C	975	30.0	21.2	16.00	13.00	28.0	17.5	9.00	7.65	3.82	2.62
YHG30B21S	TM9Y100C16MP11	21.0	CF/CM30C	1150	30.0	22.6	17.00	13.00	28.4	17.2	9.50	7.90	4.12	2.74
YHG30B21S	TM9Y100C20MP11	21.0	CF/CM/CU36C	1175	30.0	22.4	16.00	13.00	28.8	18.0	9.00	7.55	4.00	2.68
YHG30B21S	TM9Y100C20MP11	21.0	CF/CM30C	1175	30.0	22.6	17.00	13.00	28.4	17.3	9.50	7.90	4.16	2.76
YHG30B21S	TMLV060A12MP12C	14.5	CF/CM/CU30A	975	29.6	21.4	16.00	13.00	28.0	17.1	9.00	7.60	3.84	2.62
YHG30B21S	TMLV060A12MP12C	14.5	CF/CM/CU30B	1150	30.0	22.6	16.00	13.00	28.6	17.5	9.00	7.50	4.00	2.68
YHG30B21S	TMLV060A12MP12C	14.5	CF/CM/CU36B	900	29.8	20.8	16.00	13.00	27.8	17.4	8.50	7.25	3.70	2.56
YHG30B21S	TMLV060A12MP12C	14.5	CF/CM36A	1050	30.0	22.0	15.00	12.25	28.6	18.0	9.00	7.70	3.74	2.56
YHG30B21S	TMLV080B12MP12C	17.5	CF/CM/CU30B	1000	29.8	21.8	16.00	13.00	28.0	17.2	9.00	7.60	3.86	2.62
YHG30B21S	TMLV080B12MP12C	17.5	CF/CM/CU36B	900	29.6	20.6	15.00	13.00	28.0	17.5	8.50	7.25	3.66	2.54
YHG30B21S	TMLV080B12MP12C	17.5	CF/CM/CU36C	1000	30.0	21.6	15.00	12.50	28.4	17.8	9.00	7.70	3.74	2.56
YHG30B21S	TMLV080B12MP12C	17.5	CF/CM30C	1100	30.0	22.6	16.00	13.00	28.4	17.4	9.00	7.55	3.94	2.64
YHG30B21S	TMLV080C16MP12C	21.0	CF/CM/CU36C	1050	30.0	21.6	16.00	13.00	28.2	17.7	9.00	7.60	3.90	2.64
YHG30B21S	TMLV080C16MP12C	21.0	CF/CM30C	1150	30.0	22.4	17.00	13.00	28.4	17.2	9.50	7.95	4.14	2.76
YHG30B21S	TMLV100C16MP12C	21.0	CF/CM/CU36C	1050	30.0	21.6	16.00	13.00	28.2	17.7	9.00	7.60	3.90	2.64
YHG30B21S	TMLV100C16MP12C	21.0	CF/CM30C	1150	30.0	22.4	17.00	13.00	28.4	17.2	9.50	7.95	4.14	2.76
YHG30B21S	TMLV100C20MP12C	21.0	CF/CM/CU36C	1150	30.0	22.0	16.00	13.00	28.6	17.8	9.00	7.55	4.02	2.72
YHG30B21S	TMLV100C20MP12C	21.0	CF/CM30C	1150	30.0	22.4	17.00	13.00	28.2	17.1	9.00	7.40	4.20	2.80
YHG30B21S	TMLV120C20MP12C	21.0	CF/CM/CU36C	1150	30.0	22.0	16.00	13.00	28.6	17.8	9.00	7.55	4.02	2.72

**SYSTEM CAPACITY - With High Efficiency Motor Furnaces<sup>1</sup>**

UNIT MODEL	FURNACE		COIL MODEL <sup>2</sup>	COOLING					HEATING					
	MODEL	WIDTH		RATED CFM	NET MBH		SEER	EER	NET MBH		HSPF Region IV	HSPF Region V	COP	
					TOTAL	SENS.			47°F OD	17°F OD			47°F OD	17°F OD
YHG30B21S	TMLV120C20MP12C	21.0	CF/CM30C	1150	30.0	22.4	17.00	13.00	28.2	17.1	9.00	7.40	4.20	2.80
YHG30B21S	TMLX060A12MP11	14.5	CF/CM/CU30A	875	29.4	20.6	16.00	13.00	27.6	16.8	9.00	7.60	3.78	2.60
YHG30B21S	TMLX060A12MP11	14.5	CF/CM/CU30B	1125	30.0	22.6	16.00	13.00	28.6	17.5	9.00	7.55	3.96	2.66
YHG30B21S	TMLX060A12MP11	14.5	CF/CM/CU36B	1125	30.0	22.4	15.00	12.50	29.0	18.2	9.00	7.65	3.82	2.58
YHG30B21S	TMLX060A12MP11	14.5	CF/CM36A	1075	30.0	22.0	15.00	12.25	28.8	18.2	9.00	7.70	3.74	2.56
YHG30B21S	TMLX080B12MP11	17.5	CF/CM/CU30B	1175	30.0	22.8	16.00	13.00	28.6	17.5	9.00	7.50	4.04	2.70
YHG30B21S	TMLX080B12MP11	17.5	CF/CM/CU36B	975	30.0	21.2	16.00	13.00	28.0	17.6	9.00	7.65	3.78	2.60
YHG30B21S	TMLX080B12MP11	17.5	CF/CM/CU36C	1000	30.0	21.4	16.00	13.00	28.2	17.6	9.00	7.70	3.82	2.62
YHG30B21S	TMLX080B12MP11	17.5	CF/CM30C	1200	30.0	23.0	16.00	13.00	28.8	17.6	9.00	7.45	4.08	2.72
YHG30B21S	TMLX080C16MP11	21.0	CF/CM/CU36C	1150	30.0	22.2	16.00	13.00	28.6	17.9	9.00	7.55	4.00	2.68
YHG30B21S	TMLX080C16MP11	21.0	CF/CM30C	1150	30.0	22.4	17.00	13.00	28.2	17.2	9.50	7.90	4.14	2.76
YHG30B21S	TMLX100C16MP11	21.0	CF/CM/CU36C	1150	30.0	22.2	16.00	13.00	28.6	17.9	9.00	7.55	4.00	2.68
YHG30B21S	TMLX100C16MP11	21.0	CF/CM30C	1150	30.0	22.4	17.00	13.00	28.2	17.2	9.50	7.90	4.14	2.76
YHG30B21S	TMLX100C20MP11	21.0	CF/CM/CU36C	1000	30.0	21.2	16.00	13.00	28.0	17.4	9.00	7.60	3.88	2.66
YHG30B21S	TMLX100C20MP11	21.0	CF/CM30C	1000	30.0	21.6	17.00	13.00	27.6	16.7	9.00	7.45	4.04	2.74
YHG30B21S	TMLX120C20MP11	21.0	CF/CM/CU36C	1000	30.0	21.2	16.00	13.00	28.0	17.4	9.00	7.60	3.88	2.66
YHG30B21S	TMLX120C20MP11	21.0	CF/CM30C	1000	30.0	21.6	17.00	13.00	27.6	16.7	9.00	7.45	4.04	2.74
YHG30B21S	TP9C060B12MP13C	17.5	CF/CM/CU30B	1100	30.0	22.6	16.00	13.00	28.6	17.5	9.00	7.55	3.92	2.64
YHG30B21S	TP9C060B12MP13C	17.5	CF/CM/CU36B	1100	30.0	22.2	15.00	12.25	28.8	18.2	9.00	7.70	3.78	2.56
YHG30B21S	TP9C060B12MP13C	17.5	CF/CM/CU36C	1100	30.0	22.2	15.00	12.50	28.8	18.1	9.00	7.70	3.82	2.60
YHG30B21S	TP9C060B12MP13C	17.5	CF/CM30C	1100	30.0	22.4	16.00	13.00	28.4	17.4	9.00	7.55	3.94	2.66
YHG30B21S	TP9C080B12MP13C	17.5	CF/CM/CU30B	1050	30.0	22.0	16.00	13.00	28.2	17.2	9.00	7.55	3.96	2.68
YHG30B21S	TP9C080B12MP13C	17.5	CF/CM/CU36B	875	29.6	20.4	16.00	13.00	27.8	17.3	8.50	7.25	3.68	2.56
YHG30B21S	TP9C080B12MP13C	17.5	CF/CM/CU36C	950	30.0	21.2	16.00	13.00	28.0	17.5	9.00	7.70	3.76	2.58
YHG30B21S	TP9C080B12MP13C	17.5	CF/CM30C	1150	30.0	22.6	16.00	13.00	28.6	17.4	9.00	7.45	4.02	2.70
YHG30B21S	TP9C080C16MP13C	21.0	CF/CM/CU36C	1025	30.0	21.6	16.00	13.00	28.2	17.7	9.00	7.65	3.84	2.62
YHG30B21S	TP9C080C16MP13C	21.0	CF/CM30C	1125	30.0	22.4	17.00	13.00	28.2	17.2	9.50	7.95	4.08	2.72
YHG30B21S	TP9C100C16MP13C	21.0	CF/CM/CU36C	1075	30.0	21.8	16.00	13.00	28.4	17.7	9.00	7.55	3.94	2.68
YHG30B21S	TP9C100C16MP13C	21.0	CF/CM30C	1175	30.0	22.6	17.00	13.00	28.4	17.2	9.50	7.90	4.18	2.78
YHG30B21S	TP9C100C20MP13C	21.0	CF/CM/CU36C	1100	30.0	22.0	16.00	13.00	28.4	17.8	9.00	7.60	3.94	2.66
YHG30B21S	TP9C100C20MP13C	21.0	CF/CM30C	1100	30.0	22.2	17.00	13.00	28.2	17.1	9.50	7.95	4.10	2.74
YHG30B21S	TPLC060A12MP13C	14.5	CF/CM/CU30A	975	29.6	21.4	16.00	13.00	28.0	17.1	9.00	7.60	3.84	2.62
YHG30B21S	TPLC060A12MP13C	14.5	CF/CM/CU30B	1150	30.0	22.6	16.00	13.00	28.6	17.5	9.00	7.50	4.00	2.68
YHG30B21S	TPLC060A12MP13C	14.5	CF/CM/CU36B	900	29.8	20.8	16.00	13.00	27.8	17.4	8.50	7.25	3.70	2.56
YHG30B21S	TPLC060A12MP13C	14.5	CF/CM36A	1050	30.0	22.0	15.00	12.25	28.6	18.0	9.00	7.70	3.74	2.56
YHG30B21S	TPLC080B12MP13C	17.5	CF/CM/CU30B	1000	29.8	21.8	16.00	13.00	28.0	17.2	9.00	7.60	3.86	2.62
YHG30B21S	TPLC080B12MP13C	17.5	CF/CM/CU36B	900	29.6	20.6	15.00	13.00	28.0	17.5	8.50	7.25	3.66	2.54

SYSTEM CAPACITY - With High Efficiency Motor Furnaces<sup>1</sup>

UNIT MODEL	FURNACE		COIL MODEL <sup>2</sup>	COOLING					HEATING					
	MODEL	WIDTH		RATED CFM	NET MBH		SEER	EER	NET MBH		HSPF Region IV	HSPF Region V	COP	
					TOTAL	SENS.			47°F OD	17°F OD			47°F OD	17°F OD
YHG30B21S	TPLC080B12MP13C	17.5	CF/CM/CU36C	1000	30.0	21.6	15.00	12.50	28.4	17.8	9.00	7.70	3.74	2.56
YHG30B21S	TPLC080B12MP13C	17.5	CF/CM30C	1100	30.0	22.6	16.00	13.00	28.4	17.4	9.00	7.55	3.94	2.64
YHG30B21S	TPLC080C16MP13C	21.0	CF/CM/CU36C	1050	30.0	21.6	16.00	13.00	28.2	17.7	9.00	7.60	3.90	2.64
YHG30B21S	TPLC080C16MP13C	21.0	CF/CM30C	1150	30.0	22.4	17.00	13.00	28.4	17.2	9.50	7.95	4.14	2.76
YHG30B21S	TPLC100C16MP13C	21.0	CF/CM/CU36C	1050	30.0	21.6	16.00	13.00	28.2	17.7	9.00	7.60	3.90	2.64
YHG30B21S	TPLC100C16MP13C	21.0	CF/CM30C	1150	30.0	22.4	17.00	13.00	28.4	17.2	9.50	7.95	4.14	2.76
YHG30B21S	TPLC100C20MP13C	21.0	CF/CM/CU36C	1150	30.0	22.0	16.00	13.00	28.6	17.8	9.00	7.55	4.02	2.72
YHG30B21S	TPLC100C20MP13C	21.0	CF/CM30C	1150	30.0	22.4	17.00	13.00	28.2	17.1	9.00	7.40	4.20	2.80
YHG30B21S	TPLC120C20MP13C	21.0	CF/CM/CU36C	1150	30.0	22.0	16.00	13.00	28.6	17.8	9.00	7.55	4.02	2.72
YHG30B21S	TPLC120C20MP13C	21.0	CF/CM30C	1150	30.0	22.4	17.00	13.00	28.2	17.1	9.00	7.40	4.20	2.80
YHG30B21S	YP9C060B12MP13C	17.5	CF/CM/CU30B	1100	30.0	22.6	16.00	13.00	28.6	17.5	9.00	7.55	3.92	2.64
YHG30B21S	YP9C060B12MP13C	17.5	CF/CM/CU36B	1100	30.0	22.2	15.00	12.25	28.8	18.2	9.00	7.70	3.78	2.56
YHG30B21S	YP9C060B12MP13C	17.5	CF/CM/CU36C	1100	30.0	22.2	15.00	12.50	28.8	18.1	9.00	7.70	3.82	2.60
YHG30B21S	YP9C060B12MP13C	17.5	CF/CM30C	1100	30.0	22.4	16.00	13.00	28.4	17.4	9.00	7.55	3.94	2.66
YHG30B21S	YP9C080B12MP13C	17.5	CF/CM/CU30B	1050	30.0	22.0	16.00	13.00	28.2	17.2	9.00	7.55	3.96	2.68
YHG30B21S	YP9C080B12MP13C	17.5	CF/CM/CU36B	875	29.6	20.4	16.00	13.00	27.8	17.3	8.50	7.25	3.68	2.56
YHG30B21S	YP9C080B12MP13C	17.5	CF/CM/CU36C	950	30.0	21.2	16.00	13.00	28.0	17.5	9.00	7.70	3.76	2.58
YHG30B21S	YP9C080B12MP13C	17.5	CF/CM30C	1150	30.0	22.6	16.00	13.00	28.6	17.4	9.00	7.45	4.02	2.70
YHG30B21S	YP9C080C16MP13C	21.0	CF/CM/CU36C	1025	30.0	21.6	16.00	13.00	28.2	17.7	9.00	7.65	3.84	2.62
YHG30B21S	YP9C080C16MP13C	21.0	CF/CM30C	1125	30.0	22.4	17.00	13.00	28.2	17.2	9.50	7.95	4.08	2.72
YHG30B21S	YP9C100C16MP13C	21.0	CF/CM/CU36C	1075	30.0	21.8	16.00	13.00	28.4	17.7	9.00	7.55	3.94	2.68
YHG30B21S	YP9C100C16MP13C	21.0	CF/CM30C	1175	30.0	22.6	17.00	13.00	28.4	17.2	9.50	7.90	4.18	2.78
YHG30B21S	YP9C100C20MP13C	21.0	CF/CM/CU36C	1100	30.0	22.0	16.00	13.00	28.4	17.8	9.00	7.60	3.94	2.66
YHG30B21S	YP9C100C20MP13C	21.0	CF/CM30C	1100	30.0	22.2	17.00	13.00	28.2	17.1	9.50	7.95	4.10	2.74
YHG30B21S	YPLC060A12MP13C	14.5	CF/CM/CU30A	975	29.6	21.4	16.00	13.00	28.0	17.1	9.00	7.60	3.84	2.62
YHG30B21S	YPLC060A12MP13C	14.5	CF/CM/CU30B	1150	30.0	22.6	16.00	13.00	28.6	17.5	9.00	7.50	4.00	2.68
YHG30B21S	YPLC060A12MP13C	14.5	CF/CM/CU36B	900	29.8	20.8	16.00	13.00	27.8	17.4	8.50	7.25	3.70	2.56
YHG30B21S	YPLC060A12MP13C	14.5	CF/CM36A	1050	30.0	22.0	15.00	12.25	28.6	18.0	9.00	7.70	3.74	2.56
YHG30B21S	YPLC080B12MP13C	17.5	CF/CM/CU30B	1000	29.8	21.8	16.00	13.00	28.0	17.2	9.00	7.60	3.86	2.62
YHG30B21S	YPLC080B12MP13C	17.5	CF/CM/CU36B	900	29.6	20.6	15.00	13.00	28.0	17.5	8.50	7.25	3.66	2.54
YHG30B21S	YPLC080B12MP13C	17.5	CF/CM/CU36C	1000	30.0	21.6	15.00	12.50	28.4	17.8	9.00	7.70	3.74	2.56
YHG30B21S	YPLC080B12MP13C	17.5	CF/CM30C	1100	30.0	22.6	16.00	13.00	28.4	17.4	9.00	7.55	3.94	2.64
YHG30B21S	YPLC080C16MP13C	21.0	CF/CM/CU36C	1050	30.0	21.6	16.00	13.00	28.2	17.7	9.00	7.60	3.90	2.64
YHG30B21S	YPLC080C16MP13C	21.0	CF/CM30C	1150	30.0	22.4	17.00	13.00	28.4	17.2	9.50	7.95	4.14	2.76
YHG30B21S	YPLC100C16MP13C	21.0	CF/CM/CU36C	1050	30.0	21.6	16.00	13.00	28.2	17.7	9.00	7.60	3.90	2.64
YHG30B21S	YPLC100C16MP13C	21.0	CF/CM30C	1150	30.0	22.4	17.00	13.00	28.4	17.2	9.50	7.95	4.14	2.76
YHG30B21S	YPLC100C20MP13C	21.0	CF/CM/CU36C	1150	30.0	22.0	16.00	13.00	28.6	17.8	9.00	7.55	4.02	2.72

**SYSTEM CAPACITY - With High Efficiency Motor Furnaces<sup>1</sup>**

UNIT MODEL	FURNACE		COIL MODEL <sup>2</sup>	COOLING					HEATING					
	MODEL	WIDTH		RATED CFM	NET MBH		SEER	EER	NET MBH		HSPF Region IV	HSPF Region V	COP	
					TOTAL	SENS.			47°F OD	17°F OD			47°F OD	17°F OD
YHG30B21S	YPLC100C20MP13C	21.0	CF/CM30C	1150	30.0	22.4	17.00	13.00	28.2	17.1	9.00	7.40	4.20	2.80
YHG30B21S	YPLC120C20MP13C	21.0	CF/CM/CU36C	1150	30.0	22.0	16.00	13.00	28.6	17.8	9.00	7.55	4.02	2.72
YHG30B21S	YPLC120C20MP13C	21.0	CF/CM30C	1150	30.0	22.4	17.00	13.00	28.2	17.1	9.00	7.40	4.20	2.80
YHG36B21S	TM8V060A12MP12C	14.5	CF/CM/CU36B	975	34.8	22.8	15.00	12.50	35.2	22.8	9.00	7.90	3.60	2.58
YHG36B21S	TM8V060A12MP12C	14.5	CF/CM36A	900	34.6	22.2	15.00	12.50	35.0	22.8	9.00	7.95	3.52	2.54
YHG36B21S	TM8V080B12MP12C	17.5	CF/CM/CU36B	900	34.6	22.2	15.00	12.50	35.0	22.8	9.00	7.95	3.52	2.54
YHG36B21S	TM8V080B12MP12C	17.5	CF/CM/CU36C	900	34.6	22.2	15.00	12.50	34.8	22.8	9.00	7.90	3.54	2.56
YHG36B21S	TM8V080B12MP12C	17.5	CF/CM/CU48C	1000	35.8	23.4	15.00	13.00	36.0	23.2	9.00	7.75	3.64	2.54
YHG36B21S	TM8V080C16MP12C	21.0	CF/CM/CU36C	950	35.0	22.8	15.00	13.00	34.8	22.6	9.00	7.85	3.62	2.60
YHG36B21S	TM8V080C16MP12C	21.0	CF/CM/CU48C	950	36.0	23.2	16.00	13.00	36.0	23.0	9.00	7.80	3.68	2.58
YHG36B21S	TM8V080C16MP12C	21.0	CF/CM/CU48D	950	36.0	23.2	16.00	13.00	36.0	23.0	9.00	7.75	3.68	2.58
YHG36B21S	TM8V080C16MP12C	21.0	CF/CM36D	950	35.0	22.8	15.25	13.00	34.8	22.6	9.00	7.85	3.62	2.60
YHG36B21S	TM8V100C16MP12C	21.0	CF/CM/CU36C	950	35.0	22.8	15.00	13.00	34.8	22.6	9.00	7.85	3.62	2.60
YHG36B21S	TM8V100C16MP12C	21.0	CF/CM/CU48C	950	36.0	23.2	16.00	13.00	36.0	23.0	9.00	7.80	3.68	2.58
YHG36B21S	TM8V100C16MP12C	21.0	CF/CM/CU48D	950	36.0	23.2	16.00	13.00	36.0	23.0	9.00	7.75	3.68	2.58
YHG36B21S	TM8V100C16MP12C	21.0	CF/CM36D	950	35.0	22.8	15.25	13.00	34.8	22.6	9.00	7.85	3.62	2.60
YHG36B21S	TM8V100C20MP12C	21.0	CF/CM/CU36C	1150	35.6	24.8	15.25	13.00	35.6	23.0	9.00	7.70	3.82	2.68
YHG36B21S	TM8V100C20MP12C	21.0	CF/CM/CU48C	1150	36.0	24.4	16.00	13.00	36.0	23.0	9.00	7.65	3.86	2.62
YHG36B21S	TM8V100C20MP12C	21.0	CF/CM/CU48D	1150	36.0	24.4	16.00	13.00	36.0	23.0	9.00	7.65	3.86	2.62
YHG36B21S	TM8V100C20MP12C	21.0	CF/CM36D	1150	35.8	24.8	15.25	13.00	35.6	23.0	9.00	7.70	3.82	2.68
YHG36B21S	TM8V120C20MP12C	21.0	CF/CM/CU36C	1150	35.6	24.8	15.25	13.00	35.6	23.0	9.00	7.70	3.82	2.68
YHG36B21S	TM8V120C20MP12C	21.0	CF/CM/CU48C	1150	36.0	24.4	16.00	13.00	36.0	23.0	9.00	7.65	3.86	2.62
YHG36B21S	TM8V120C20MP12C	21.0	CF/CM/CU48D	1150	36.0	24.4	16.00	13.00	36.0	23.0	9.00	7.65	3.86	2.62
YHG36B21S	TM8V120C20MP12C	21.0	CF/CM36D	1150	35.8	24.8	15.25	13.00	35.6	23.0	9.00	7.70	3.82	2.68
YHG36B21S	TM8X060A12MP11	14.5	CF/CM/CU36B	925	34.6	22.4	15.00	12.50	35.0	22.8	9.00	7.95	3.56	2.56
YHG36B21S	TM8X080B12MP11	17.5	CF/CM/CU36B	975	35.0	23.0	15.00	12.50	35.2	22.8	9.00	7.85	3.60	2.58
YHG36B21S	TM8X080B12MP11	17.5	CF/CM/CU36C	1000	35.0	23.2	15.00	12.50	35.2	22.8	9.00	7.85	3.64	2.60
YHG36B21S	TM8X080B12MP11	17.5	CF/CM/CU48C	1000	36.0	23.4	16.00	13.00	36.0	23.0	9.00	7.75	3.70	2.56
YHG36B21S	TM8X080C16MP11	21.0	CF/CM/CU36C	950	35.0	22.6	15.25	13.00	34.8	22.6	9.00	7.90	3.62	2.60
YHG36B21S	TM8X080C16MP11	21.0	CF/CM/CU48C	950	36.0	23.0	16.00	13.00	36.0	23.0	9.00	7.75	3.68	2.58
YHG36B21S	TM8X080C16MP11	21.0	CF/CM/CU48D	975	36.0	23.2	16.00	13.00	36.0	23.0	9.00	7.70	3.70	2.58
YHG36B21S	TM8X080C16MP11	21.0	CF/CM36D	975	35.2	23.0	15.25	13.00	35.0	22.6	9.00	7.80	3.66	2.62
YHG36B21S	TM8X100C16MP11	21.0	CF/CM/CU36C	950	35.0	22.6	15.25	13.00	34.8	22.6	9.00	7.90	3.62	2.60
YHG36B21S	TM8X100C16MP11	21.0	CF/CM/CU48C	950	36.0	23.0	16.00	13.00	36.0	23.0	9.00	7.75	3.68	2.58
YHG36B21S	TM8X100C16MP11	21.0	CF/CM/CU48D	975	36.0	23.2	16.00	13.00	36.0	23.0	9.00	7.70	3.70	2.58
YHG36B21S	TM8X100C16MP11	21.0	CF/CM36D	975	35.2	23.0	15.25	13.00	35.0	22.6	9.00	7.80	3.66	2.62
YHG36B21S	TM8X100C20MP11	21.0	CF/CM/CU36C	1000	35.2	23.2	15.25	13.00	35.0	22.6	9.00	7.80	3.70	2.64

SYSTEM CAPACITY - With High Efficiency Motor Furnaces<sup>1</sup>

UNIT MODEL	FURNACE		COIL MODEL <sup>2</sup>	COOLING					HEATING					
	MODEL	WIDTH		RATED CFM	NET MBH		SEER	EER	NET MBH		HSPF Region IV	HSPF Region V	COP	
					TOTAL	SENS.			47°F OD	17°F OD			47°F OD	17°F OD
YHG36B21S	TM8X100C20MP11	21.0	CF/CM/CU48C	1000	36.0	23.4	16.00	13.00	36.0	22.8	9.00	7.70	3.74	2.60
YHG36B21S	TM8X100C20MP11	21.0	CF/CM/CU48D	1000	36.0	23.4	16.00	13.00	36.0	22.8	9.00	7.70	3.74	2.60
YHG36B21S	TM8X100C20MP11	21.0	CF/CM36D	1000	35.2	23.2	15.25	13.00	35.0	22.6	9.00	7.80	3.70	2.64
YHG36B21S	TM8X120C20MP11	21.0	CF/CM/CU36C	1000	35.2	23.2	15.25	13.00	35.0	22.6	9.00	7.80	3.70	2.64
YHG36B21S	TM8X120C20MP11	21.0	CF/CM/CU48C	1000	36.0	23.4	16.00	13.00	36.0	22.8	9.00	7.70	3.74	2.60
YHG36B21S	TM8X120C20MP11	21.0	CF/CM/CU48D	1000	36.0	23.4	16.00	13.00	36.0	22.8	9.00	7.70	3.74	2.60
YHG36B21S	TM8X120C20MP11	21.0	CF/CM36D	1000	35.2	23.2	15.25	13.00	35.0	22.6	9.00	7.80	3.70	2.64
YHG36B21S	TM8Y060A12MP11	14.5	CF/CM/CU36B	925	34.6	22.4	15.00	12.50	35.0	22.8	9.00	7.95	3.56	2.56
YHG36B21S	TM8Y080B12MP11	17.5	CF/CM/CU36B	975	35.0	23.0	15.00	12.50	35.2	22.8	9.00	7.85	3.60	2.58
YHG36B21S	TM8Y080B12MP11	17.5	CF/CM/CU36C	1000	35.0	23.2	15.00	12.50	35.2	22.8	9.00	7.85	3.64	2.60
YHG36B21S	TM8Y080B12MP11	17.5	CF/CM/CU48C	1000	36.0	23.4	16.00	13.00	36.0	23.0	9.00	7.75	3.70	2.56
YHG36B21S	TM8Y080C16MP11	21.0	CF/CM/CU36C	950	35.0	22.6	15.25	13.00	34.8	22.6	9.00	7.90	3.62	2.60
YHG36B21S	TM8Y080C16MP11	21.0	CF/CM/CU48C	950	36.0	23.0	16.00	13.00	36.0	23.0	9.00	7.75	3.68	2.58
YHG36B21S	TM8Y080C16MP11	21.0	CF/CM/CU48D	975	36.0	23.2	16.00	13.00	36.0	23.0	9.00	7.70	3.70	2.58
YHG36B21S	TM8Y080C16MP11	21.0	CF/CM36D	975	35.2	23.0	15.25	13.00	35.0	22.6	9.00	7.80	3.66	2.62
YHG36B21S	TM8Y100C16MP11	21.0	CF/CM/CU36C	950	35.0	22.6	15.25	13.00	34.8	22.6	9.00	7.90	3.62	2.60
YHG36B21S	TM8Y100C16MP11	21.0	CF/CM/CU48C	950	36.0	23.0	16.00	13.00	36.0	23.0	9.00	7.75	3.68	2.58
YHG36B21S	TM8Y100C16MP11	21.0	CF/CM/CU48D	975	36.0	23.2	16.00	13.00	36.0	23.0	9.00	7.70	3.70	2.58
YHG36B21S	TM8Y100C16MP11	21.0	CF/CM36D	975	35.2	23.0	15.25	13.00	35.0	22.6	9.00	7.80	3.66	2.62
YHG36B21S	TM8Y100C20MP11	21.0	CF/CM/CU36C	1000	35.2	23.2	15.25	13.00	35.0	22.6	9.00	7.80	3.70	2.64
YHG36B21S	TM8Y100C20MP11	21.0	CF/CM/CU48C	1000	36.0	23.4	16.00	13.00	36.0	22.8	9.00	7.70	3.74	2.60
YHG36B21S	TM8Y100C20MP11	21.0	CF/CM/CU48D	1000	36.0	23.4	16.00	13.00	36.0	22.8	9.00	7.70	3.74	2.60
YHG36B21S	TM8Y100C20MP11	21.0	CF/CM36D	1000	35.2	23.2	15.25	13.00	35.0	22.6	9.00	7.80	3.70	2.64
YHG36B21S	TM8Y120C20MP11	21.0	CF/CM/CU36C	1000	35.2	23.2	15.25	13.00	35.0	22.6	9.00	7.80	3.70	2.64
YHG36B21S	TM8Y120C20MP11	21.0	CF/CM/CU48C	1000	36.0	23.4	16.00	13.00	36.0	22.8	9.00	7.70	3.74	2.60
YHG36B21S	TM8Y120C20MP11	21.0	CF/CM/CU48D	1000	36.0	23.4	16.00	13.00	36.0	22.8	9.00	7.70	3.74	2.60
YHG36B21S	TM8Y120C20MP11	21.0	CF/CM36D	1000	35.2	23.2	15.25	13.00	35.0	22.6	9.00	7.80	3.70	2.64
YHG36B21S	TM9E060B12MP11	17.5	CF/CM/CU36B	950	34.8	22.8	15.00	12.50	35.2	23.0	9.00	7.90	3.56	2.56
YHG36B21S	TM9E060B12MP11	17.5	CF/CM/CU36C	975	34.8	23.0	15.00	12.50	35.2	23.0	9.00	7.85	3.58	2.56
YHG36B21S	TM9E060B12MP11	17.5	CF/CM/CU48C	975	35.8	23.2	15.00	13.00	36.0	23.2	9.00	7.75	3.64	2.54
YHG36B21S	TM9E080B12MP11	17.5	CF/CM/CU36B	975	34.8	22.8	15.00	12.50	35.2	22.8	9.00	7.90	3.60	2.58
YHG36B21S	TM9E080B12MP11	17.5	CF/CM/CU36C	1000	35.0	23.2	15.00	12.50	35.2	22.8	9.00	7.85	3.62	2.60
YHG36B21S	TM9E080B12MP11	17.5	CF/CM/CU48C	900	35.8	22.6	16.00	13.00	36.0	23.0	9.00	7.85	3.62	2.54
YHG36B21S	TM9E080C16MP11	21.0	CF/CM/CU36C	975	35.0	23.0	15.00	13.00	35.0	22.8	9.00	7.85	3.64	2.60
YHG36B21S	TM9E080C16MP11	21.0	CF/CM/CU48C	975	36.0	23.2	16.00	13.00	36.0	23.0	9.00	7.75	3.68	2.56
YHG36B21S	TM9E080C16MP11	21.0	CF/CM/CU48D	975	36.0	23.2	16.00	13.00	36.0	23.0	9.00	7.75	3.68	2.56
YHG36B21S	TM9E080C16MP11	21.0	CF/CM36D	975	35.0	23.0	15.00	13.00	35.0	22.8	9.00	7.85	3.64	2.60

**SYSTEM CAPACITY - With High Efficiency Motor Furnaces<sup>1</sup>**

UNIT MODEL	FURNACE		COIL MODEL <sup>2</sup>	COOLING					HEATING					
	MODEL	WIDTH		RATED CFM	NET MBH		SEER	EER	NET MBH		HSPF Region IV	HSPF Region V	COP	
					TOTAL	SENS.			47°F OD	17°F OD			47°F OD	17°F OD
YHG36B21S	TM9E100C16MP11	21.0	CF/CM/CU36C	975	35.0	23.0	15.00	13.00	35.0	22.8	9.00	7.85	3.64	2.60
YHG36B21S	TM9E100C16MP11	21.0	CF/CM/CU48C	1000	36.0	23.4	16.00	13.00	36.0	23.0	9.00	7.70	3.72	2.58
YHG36B21S	TM9E100C16MP11	21.0	CF/CM/CU48D	1000	36.0	23.4	16.00	13.00	36.0	23.0	9.00	7.70	3.72	2.58
YHG36B21S	TM9E100C16MP11	21.0	CF/CM36D	1000	35.2	23.2	15.00	13.00	35.0	22.8	9.00	7.85	3.66	2.62
YHG36B21S	TM9E100C20MP11	21.0	CF/CM/CU36C	1175	35.6	25.0	15.00	12.50	35.8	23.2	9.00	7.75	3.80	2.66
YHG36B21S	TM9E100C20MP11	21.0	CF/CM/CU48C	1175	36.0	24.6	15.25	13.00	36.0	23.2	9.00	7.65	3.84	2.60
YHG36B21S	TM9E100C20MP11	21.0	CF/CM/CU48D	1200	36.0	24.6	15.25	13.00	36.0	23.2	9.00	7.60	3.86	2.62
YHG36B21S	TM9E100C20MP11	21.0	CF/CM36D	1200	35.8	25.2	15.00	12.50	35.8	23.2	9.00	7.70	3.84	2.68
YHG36B21S	TM9E120D20MP11	24.5	CF/CM/CU48D	950	36.0	23.0	16.00	13.00	36.0	22.8	9.00	7.75	3.70	2.58
YHG36B21S	TM9E120D20MP11	24.5	CF/CM36D	950	35.0	22.6	15.25	13.00	34.8	22.6	9.00	7.85	3.64	2.62
YHG36B21S	TM9V060B12MP12C	17.5	CF/CM/CU36B	900	34.6	22.2	15.00	12.50	35.0	22.8	9.00	7.95	3.52	2.54
YHG36B21S	TM9V060B12MP12C	17.5	CF/CM/CU36C	1000	34.8	23.2	15.00	12.50	35.4	23.0	9.00	7.85	3.60	2.56
YHG36B21S	TM9V060B12MP12C	17.5	CF/CM/CU48C	1000	35.8	23.4	15.00	13.00	36.0	23.2	9.00	7.75	3.64	2.54
YHG36B21S	TM9V080B12MP12C	17.5	CF/CM/CU36B	975	34.8	22.8	15.00	12.50	35.2	22.8	9.00	7.90	3.60	2.58
YHG36B21S	TM9V080B12MP12C	17.5	CF/CM/CU36C	950	34.8	22.6	15.00	12.50	35.0	22.8	9.00	7.90	3.60	2.58
YHG36B21S	TM9V080B12MP12C	17.5	CF/CM/CU48C	950	35.8	23.0	15.25	13.00	36.0	23.0	9.00	7.80	3.64	2.56
YHG36B21S	TM9V080C16MP12C	21.0	CF/CM/CU36C	950	35.0	22.8	15.00	13.00	35.0	22.8	9.00	7.85	3.62	2.60
YHG36B21S	TM9V080C16MP12C	21.0	CF/CM/CU48C	950	36.0	23.2	16.00	13.00	36.0	23.0	9.00	7.80	3.66	2.56
YHG36B21S	TM9V080C16MP12C	21.0	CF/CM/CU48D	950	36.0	23.2	16.00	13.00	36.0	23.0	9.00	7.80	3.68	2.56
YHG36B21S	TM9V080C16MP12C	21.0	CF/CM36D	950	35.0	22.8	15.00	13.00	35.0	22.6	9.00	7.85	3.62	2.60
YHG36B21S	TM9V100C16MP12C	21.0	CF/CM/CU36C	1000	35.2	23.2	15.25	13.00	35.0	22.8	9.00	7.85	3.68	2.62
YHG36B21S	TM9V100C16MP12C	21.0	CF/CM/CU48C	1075	36.0	23.8	16.00	13.00	36.0	23.0	9.00	7.65	3.78	2.60
YHG36B21S	TM9V100C16MP12C	21.0	CF/CM/CU48D	975	36.0	23.2	16.00	13.00	36.0	23.0	9.00	7.75	3.70	2.58
YHG36B21S	TM9V100C16MP12C	21.0	CF/CM36D	975	35.0	22.8	15.25	13.00	35.0	22.6	9.00	7.80	3.66	2.62
YHG36B21S	TM9V100C20MP12C	21.0	CF/CM/CU36C	1100	35.4	24.4	15.00	12.50	35.6	23.0	9.00	7.75	3.74	2.64
YHG36B21S	TM9V100C20MP12C	21.0	CF/CM/CU48C	1100	36.0	24.0	15.25	13.00	36.0	23.0	9.00	7.65	3.78	2.60
YHG36B21S	TM9V100C20MP12C	21.0	CF/CM/CU48D	1100	36.0	24.0	16.00	13.00	36.0	23.0	9.00	7.65	3.80	2.60
YHG36B21S	TM9V100C20MP12C	21.0	CF/CM36D	1100	35.4	24.2	15.00	13.00	35.4	23.0	9.00	7.80	3.76	2.64
YHG36B21S	TM9V120D20MP12C	24.5	CF/CM/CU48D	1050	36.0	23.6	16.00	13.00	36.0	23.0	9.00	7.70	3.78	2.60
YHG36B21S	TM9V120D20MP12C	24.5	CF/CM36D	1050	35.4	23.8	15.25	13.00	35.2	22.8	9.00	7.75	3.74	2.64
YHG36B21S	TM9Y060B12MP11	17.5	CF/CM/CU36B	950	34.8	22.8	15.00	12.50	35.2	23.0	9.00	7.90	3.56	2.56
YHG36B21S	TM9Y060B12MP11	17.5	CF/CM/CU36C	975	34.8	23.0	15.00	12.50	35.2	23.0	9.00	7.85	3.58	2.56
YHG36B21S	TM9Y060B12MP11	17.5	CF/CM/CU48C	975	35.8	23.2	15.00	13.00	36.0	23.2	9.00	7.75	3.64	2.54
YHG36B21S	TM9Y080B12MP11	17.5	CF/CM/CU36B	975	34.8	22.8	15.00	12.50	35.2	22.8	9.00	7.90	3.60	2.58
YHG36B21S	TM9Y080B12MP11	17.5	CF/CM/CU36C	1000	35.0	23.2	15.00	12.50	35.2	22.8	9.00	7.85	3.62	2.60
YHG36B21S	TM9Y080B12MP11	17.5	CF/CM/CU48C	900	35.8	22.6	16.00	13.00	36.0	23.0	9.00	7.85	3.62	2.54
YHG36B21S	TM9Y080C16MP11	21.0	CF/CM/CU36C	975	35.0	23.0	15.00	13.00	35.0	22.8	9.00	7.85	3.64	2.60



SYSTEM CAPACITY - With High Efficiency Motor Furnaces<sup>1</sup>

UNIT MODEL	FURNACE		COIL MODEL <sup>2</sup>	COOLING					HEATING					
	MODEL	WIDTH		RATED CFM	NET MBH		SEER	EER	NET MBH		HSPF Region IV	HSPF Region V	COP	
					TOTAL	SENS.			47°F OD	17°F OD			47°F OD	17°F OD
YHG36B21S	TM9Y080C16MP11	21.0	CF/CM/CU48C	975	36.0	23.2	16.00	13.00	36.0	23.0	9.00	7.75	3.68	2.56
YHG36B21S	TM9Y080C16MP11	21.0	CF/CM/CU48D	975	36.0	23.2	16.00	13.00	36.0	23.0	9.00	7.75	3.68	2.56
YHG36B21S	TM9Y080C16MP11	21.0	CF/CM36D	975	35.0	23.0	15.00	13.00	35.0	22.8	9.00	7.85	3.64	2.60
YHG36B21S	TM9Y100C16MP11	21.0	CF/CM/CU36C	975	35.0	23.0	15.00	13.00	35.0	22.8	9.00	7.85	3.64	2.60
YHG36B21S	TM9Y100C16MP11	21.0	CF/CM/CU48C	1000	36.0	23.4	16.00	13.00	36.0	23.0	9.00	7.70	3.72	2.58
YHG36B21S	TM9Y100C16MP11	21.0	CF/CM/CU48D	1000	36.0	23.4	16.00	13.00	36.0	23.0	9.00	7.70	3.72	2.58
YHG36B21S	TM9Y100C16MP11	21.0	CF/CM36D	1000	35.2	23.2	15.00	13.00	35.0	22.8	9.00	7.85	3.66	2.62
YHG36B21S	TM9Y100C20MP11	21.0	CF/CM/CU36C	1175	35.6	25.0	15.00	12.50	35.8	23.2	9.00	7.75	3.80	2.66
YHG36B21S	TM9Y100C20MP11	21.0	CF/CM/CU48C	1175	36.0	24.6	15.25	13.00	36.0	23.2	9.00	7.65	3.84	2.60
YHG36B21S	TM9Y100C20MP11	21.0	CF/CM/CU48D	1200	36.0	24.6	15.25	13.00	36.0	23.2	9.00	7.60	3.86	2.62
YHG36B21S	TM9Y100C20MP11	21.0	CF/CM36D	1200	35.8	25.2	15.00	12.50	35.8	23.2	9.00	7.70	3.84	2.68
YHG36B21S	TM9Y120D20MP11	24.5	CF/CM/CU48D	950	36.0	23.0	16.00	13.00	36.0	22.8	9.00	7.75	3.70	2.58
YHG36B21S	TM9Y120D20MP11	24.5	CF/CM36D	950	35.0	22.6	15.25	13.00	34.8	22.6	9.00	7.85	3.64	2.62
YHG36B21S	TMLV060A12MP12C	14.5	CF/CM/CU36B	975	34.8	22.8	15.00	12.50	35.2	22.8	9.00	7.90	3.60	2.58
YHG36B21S	TMLV060A12MP12C	14.5	CF/CM36A	900	34.6	22.2	15.00	12.50	35.0	22.8	9.00	7.95	3.52	2.54
YHG36B21S	TMLV080B12MP12C	17.5	CF/CM/CU36B	900	34.6	22.2	15.00	12.50	35.0	22.8	9.00	7.95	3.52	2.54
YHG36B21S	TMLV080B12MP12C	17.5	CF/CM/CU36C	900	34.6	22.2	15.00	12.50	34.8	22.8	9.00	7.90	3.54	2.56
YHG36B21S	TMLV080B12MP12C	17.5	CF/CM/CU48C	1000	35.8	23.4	15.00	13.00	36.0	23.2	9.00	7.75	3.64	2.54
YHG36B21S	TMLV080C16MP12C	21.0	CF/CM/CU36C	950	35.0	22.8	15.00	13.00	34.8	22.6	9.00	7.85	3.62	2.60
YHG36B21S	TMLV080C16MP12C	21.0	CF/CM/CU48C	950	36.0	23.2	16.00	13.00	36.0	23.0	9.00	7.80	3.68	2.58
YHG36B21S	TMLV080C16MP12C	21.0	CF/CM/CU48D	950	36.0	23.2	16.00	13.00	36.0	23.0	9.00	7.75	3.68	2.58
YHG36B21S	TMLV080C16MP12C	21.0	CF/CM36D	950	35.0	22.8	15.25	13.00	34.8	22.6	9.00	7.85	3.62	2.60
YHG36B21S	TMLV100C16MP12C	21.0	CF/CM/CU36C	950	35.0	22.8	15.00	13.00	34.8	22.6	9.00	7.85	3.62	2.60
YHG36B21S	TMLV100C16MP12C	21.0	CF/CM/CU48C	950	36.0	23.2	16.00	13.00	36.0	23.0	9.00	7.80	3.68	2.58
YHG36B21S	TMLV100C16MP12C	21.0	CF/CM/CU48D	950	36.0	23.2	16.00	13.00	36.0	23.0	9.00	7.75	3.68	2.58
YHG36B21S	TMLV100C16MP12C	21.0	CF/CM36D	950	35.0	22.8	15.25	13.00	34.8	22.6	9.00	7.85	3.62	2.60
YHG36B21S	TMLV100C20MP12C	21.0	CF/CM/CU36C	1150	35.6	24.8	15.25	13.00	35.6	23.0	9.00	7.70	3.82	2.68
YHG36B21S	TMLV100C20MP12C	21.0	CF/CM/CU48C	1150	36.0	24.4	16.00	13.00	36.0	23.0	9.00	7.65	3.86	2.62
YHG36B21S	TMLV100C20MP12C	21.0	CF/CM/CU48D	1150	36.0	24.4	16.00	13.00	36.0	23.0	9.00	7.65	3.86	2.62
YHG36B21S	TMLV100C20MP12C	21.0	CF/CM36D	1150	35.8	24.8	15.25	13.00	35.6	23.0	9.00	7.70	3.82	2.68
YHG36B21S	TMLV120C20MP12C	21.0	CF/CM/CU36C	1150	35.6	24.8	15.25	13.00	35.6	23.0	9.00	7.70	3.82	2.68
YHG36B21S	TMLV120C20MP12C	21.0	CF/CM/CU48C	1150	36.0	24.4	16.00	13.00	36.0	23.0	9.00	7.65	3.86	2.62
YHG36B21S	TMLV120C20MP12C	21.0	CF/CM/CU48D	1150	36.0	24.4	16.00	13.00	36.0	23.0	9.00	7.65	3.86	2.62
YHG36B21S	TMLV120C20MP12C	21.0	CF/CM36D	1150	35.8	24.8	15.25	13.00	35.6	23.0	9.00	7.70	3.82	2.68
YHG36B21S	TMLX060A12MP11	14.5	CF/CM/CU36B	925	34.6	22.4	15.00	12.50	35.0	22.8	9.00	7.95	3.56	2.56
YHG36B21S	TMLX080B12MP11	17.5	CF/CM/CU36B	975	35.0	23.0	15.00	12.50	35.2	22.8	9.00	7.85	3.60	2.58
YHG36B21S	TMLX080B12MP11	17.5	CF/CM/CU36C	1000	35.0	23.2	15.00	12.50	35.2	22.8	9.00	7.85	3.64	2.60

**SYSTEM CAPACITY - With High Efficiency Motor Furnaces<sup>1</sup>**

UNIT MODEL	FURNACE		COIL MODEL <sup>2</sup>	COOLING					HEATING					
	MODEL	WIDTH		RATED CFM	NET MBH		SEER	EER	NET MBH		HSPF Region IV	HSPF Region V	COP	
					TOTAL	SENS.			47°F OD	17°F OD			47°F OD	17°F OD
YHG36B21S	TMLX080B12MP11	17.5	CF/CM/CU48C	1000	36.0	23.4	16.00	13.00	36.0	23.0	9.00	7.75	3.70	2.56
YHG36B21S	TMLX080C16MP11	21.0	CF/CM/CU36C	950	35.0	22.6	15.25	13.00	34.8	22.6	9.00	7.90	3.62	2.60
YHG36B21S	TMLX080C16MP11	21.0	CF/CM/CU48C	950	36.0	23.0	16.00	13.00	36.0	23.0	9.00	7.75	3.68	2.58
YHG36B21S	TMLX080C16MP11	21.0	CF/CM/CU48D	975	36.0	23.2	16.00	13.00	36.0	23.0	9.00	7.70	3.70	2.58
YHG36B21S	TMLX080C16MP11	21.0	CF/CM36D	975	35.2	23.0	15.25	13.00	35.0	22.6	9.00	7.80	3.66	2.62
YHG36B21S	TMLX100C16MP11	21.0	CF/CM/CU36C	950	35.0	22.6	15.25	13.00	34.8	22.6	9.00	7.90	3.62	2.60
YHG36B21S	TMLX100C16MP11	21.0	CF/CM/CU48C	950	36.0	23.0	16.00	13.00	36.0	23.0	9.00	7.75	3.68	2.58
YHG36B21S	TMLX100C16MP11	21.0	CF/CM/CU48D	975	36.0	23.2	16.00	13.00	36.0	23.0	9.00	7.70	3.70	2.58
YHG36B21S	TMLX100C16MP11	21.0	CF/CM36D	975	35.2	23.0	15.25	13.00	35.0	22.6	9.00	7.80	3.66	2.62
YHG36B21S	TMLX100C20MP11	21.0	CF/CM/CU36C	1000	35.2	23.2	15.25	13.00	35.0	22.6	9.00	7.80	3.70	2.64
YHG36B21S	TMLX100C20MP11	21.0	CF/CM/CU48C	1000	36.0	23.4	16.00	13.00	36.0	22.8	9.00	7.70	3.74	2.60
YHG36B21S	TMLX100C20MP11	21.0	CF/CM/CU48D	1000	36.0	23.4	16.00	13.00	36.0	22.8	9.00	7.70	3.74	2.60
YHG36B21S	TMLX100C20MP11	21.0	CF/CM36D	1000	35.2	23.2	15.25	13.00	35.0	22.6	9.00	7.80	3.70	2.64
YHG36B21S	TMLX120C20MP11	21.0	CF/CM/CU36C	1000	35.2	23.2	15.25	13.00	35.0	22.6	9.00	7.80	3.70	2.64
YHG36B21S	TMLX120C20MP11	21.0	CF/CM/CU48C	1000	36.0	23.4	16.00	13.00	36.0	22.8	9.00	7.70	3.74	2.60
YHG36B21S	TMLX120C20MP11	21.0	CF/CM/CU48D	1000	36.0	23.4	16.00	13.00	36.0	22.8	9.00	7.70	3.74	2.60
YHG36B21S	TMLX120C20MP11	21.0	CF/CM36D	1000	35.2	23.2	15.25	13.00	35.0	22.6	9.00	7.80	3.70	2.64
YHG36B21S	TP9C060B12MP13C	17.5	CF/CM/CU36B	900	34.6	22.2	15.00	12.50	35.0	22.8	9.00	7.95	3.52	2.54
YHG36B21S	TP9C060B12MP13C	17.5	CF/CM/CU36C	1000	34.8	23.2	15.00	12.50	35.4	23.0	9.00	7.85	3.60	2.56
YHG36B21S	TP9C060B12MP13C	17.5	CF/CM/CU48C	1000	35.8	23.4	15.00	13.00	36.0	23.2	9.00	7.75	3.64	2.54
YHG36B21S	TP9C080B12MP13C	17.5	CF/CM/CU36B	975	34.8	22.8	15.00	12.50	35.2	22.8	9.00	7.90	3.60	2.58
YHG36B21S	TP9C080B12MP13C	17.5	CF/CM/CU36C	950	34.8	22.6	15.00	12.50	35.0	22.8	9.00	7.90	3.60	2.58
YHG36B21S	TP9C080B12MP13C	17.5	CF/CM/CU48C	950	35.8	23.0	15.25	13.00	36.0	23.0	9.00	7.80	3.64	2.56
YHG36B21S	TP9C080C16MP13C	21.0	CF/CM/CU36C	950	35.0	22.8	15.00	13.00	35.0	22.8	9.00	7.85	3.62	2.60
YHG36B21S	TP9C080C16MP13C	21.0	CF/CM/CU48C	950	36.0	23.2	16.00	13.00	36.0	23.0	9.00	7.80	3.66	2.56
YHG36B21S	TP9C080C16MP13C	21.0	CF/CM/CU48D	950	36.0	23.2	16.00	13.00	36.0	23.0	9.00	7.80	3.68	2.56
YHG36B21S	TP9C080C16MP13C	21.0	CF/CM36D	950	35.0	22.8	15.00	13.00	35.0	22.6	9.00	7.85	3.62	2.60
YHG36B21S	TP9C100C16MP13C	21.0	CF/CM/CU36C	1000	35.2	23.2	15.25	13.00	35.0	22.8	9.00	7.85	3.68	2.62
YHG36B21S	TP9C100C16MP13C	21.0	CF/CM/CU48C	1075	36.0	23.8	16.00	13.00	36.0	23.0	9.00	7.65	3.78	2.60
YHG36B21S	TP9C100C16MP13C	21.0	CF/CM/CU48D	975	36.0	23.2	16.00	13.00	36.0	23.0	9.00	7.75	3.70	2.58
YHG36B21S	TP9C100C16MP13C	21.0	CF/CM36D	975	35.0	22.8	15.25	13.00	35.0	22.6	9.00	7.80	3.66	2.62
YHG36B21S	TP9C100C20MP13C	21.0	CF/CM/CU36C	1100	35.4	24.4	15.00	12.50	35.6	23.0	9.00	7.75	3.74	2.64
YHG36B21S	TP9C100C20MP13C	21.0	CF/CM/CU48C	1100	36.0	24.0	15.25	13.00	36.0	23.0	9.00	7.65	3.78	2.60
YHG36B21S	TP9C100C20MP13C	21.0	CF/CM/CU48D	1100	36.0	24.0	16.00	13.00	36.0	23.0	9.00	7.65	3.80	2.60
YHG36B21S	TP9C100C20MP13C	21.0	CF/CM36D	1100	35.4	24.2	15.00	13.00	35.4	23.0	9.00	7.80	3.76	2.64
YHG36B21S	TP9C120D20MP13C	24.5	CF/CM/CU48D	1050	36.0	23.6	16.00	13.00	36.0	23.0	9.00	7.70	3.78	2.60
YHG36B21S	TP9C120D20MP13C	24.5	CF/CM36D	1050	35.4	23.8	15.25	13.00	35.2	22.8	9.00	7.75	3.74	2.64

SYSTEM CAPACITY - With High Efficiency Motor Furnaces<sup>1</sup>

UNIT MODEL	FURNACE		COIL MODEL <sup>2</sup>	COOLING					HEATING					
	MODEL	WIDTH		RATED CFM	NET MBH		SEER	EER	NET MBH		HSPF Region IV	HSPF Region V	COP	
					TOTAL	SENS.			47°F OD	17°F OD			47°F OD	17°F OD
YHG36B21S	TPLC060A12MP13C	14.5	CF/CM/CU36B	975	34.8	22.8	15.00	12.50	35.2	22.8	9.00	7.90	3.60	2.58
YHG36B21S	TPLC060A12MP13C	14.5	CF/CM36A	900	34.6	22.2	15.00	12.50	35.0	22.8	9.00	7.95	3.52	2.54
YHG36B21S	TPLC080B12MP13C	17.5	CF/CM/CU36B	900	34.6	22.2	15.00	12.50	35.0	22.8	9.00	7.95	3.52	2.54
YHG36B21S	TPLC080B12MP13C	17.5	CF/CM/CU36C	900	34.6	22.2	15.00	12.50	34.8	22.8	9.00	7.90	3.54	2.56
YHG36B21S	TPLC080B12MP13C	17.5	CF/CM/CU48C	1000	35.8	23.4	15.00	13.00	36.0	23.2	9.00	7.75	3.64	2.54
YHG36B21S	TPLC080C16MP13C	21.0	CF/CM/CU36C	950	35.0	22.8	15.00	13.00	34.8	22.6	9.00	7.85	3.62	2.60
YHG36B21S	TPLC080C16MP13C	21.0	CF/CM/CU48C	950	36.0	23.2	16.00	13.00	36.0	23.0	9.00	7.80	3.68	2.58
YHG36B21S	TPLC080C16MP13C	21.0	CF/CM/CU48D	950	36.0	23.2	16.00	13.00	36.0	23.0	9.00	7.75	3.68	2.58
YHG36B21S	TPLC080C16MP13C	21.0	CF/CM36D	950	35.0	22.8	15.25	13.00	34.8	22.6	9.00	7.85	3.62	2.60
YHG36B21S	TPLC100C16MP13C	21.0	CF/CM/CU36C	950	35.0	22.8	15.00	13.00	34.8	22.6	9.00	7.85	3.62	2.60
YHG36B21S	TPLC100C16MP13C	21.0	CF/CM/CU48C	950	36.0	23.2	16.00	13.00	36.0	23.0	9.00	7.80	3.68	2.58
YHG36B21S	TPLC100C16MP13C	21.0	CF/CM/CU48D	950	36.0	23.2	16.00	13.00	36.0	23.0	9.00	7.75	3.68	2.58
YHG36B21S	TPLC100C16MP13C	21.0	CF/CM36D	950	35.0	22.8	15.25	13.00	34.8	22.6	9.00	7.85	3.62	2.60
YHG36B21S	TPLC100C20MP13C	21.0	CF/CM/CU36C	1150	35.6	24.8	15.25	13.00	35.6	23.0	9.00	7.70	3.82	2.68
YHG36B21S	TPLC100C20MP13C	21.0	CF/CM/CU48C	1150	36.0	24.4	16.00	13.00	36.0	23.0	9.00	7.65	3.86	2.62
YHG36B21S	TPLC100C20MP13C	21.0	CF/CM/CU48D	1150	36.0	24.4	16.00	13.00	36.0	23.0	9.00	7.65	3.86	2.62
YHG36B21S	TPLC100C20MP13C	21.0	CF/CM36D	1150	35.8	24.8	15.25	13.00	35.6	23.0	9.00	7.70	3.82	2.68
YHG36B21S	TPLC120C20MP13C	21.0	CF/CM/CU36C	1150	35.6	24.8	15.25	13.00	35.6	23.0	9.00	7.70	3.82	2.68
YHG36B21S	TPLC120C20MP13C	21.0	CF/CM/CU48C	1150	36.0	24.4	16.00	13.00	36.0	23.0	9.00	7.65	3.86	2.62
YHG36B21S	TPLC120C20MP13C	21.0	CF/CM/CU48D	1150	36.0	24.4	16.00	13.00	36.0	23.0	9.00	7.65	3.86	2.62
YHG36B21S	TPLC120C20MP13C	21.0	CF/CM36D	1150	35.8	24.8	15.25	13.00	35.6	23.0	9.00	7.70	3.82	2.68
YHG36B21S	YP9C060B12MP13C	17.5	CF/CM/CU36B	900	34.6	22.2	15.00	12.50	35.0	22.8	9.00	7.95	3.52	2.54
YHG36B21S	YP9C060B12MP13C	17.5	CF/CM/CU36C	1000	34.8	23.2	15.00	12.50	35.4	23.0	9.00	7.85	3.60	2.56
YHG36B21S	YP9C060B12MP13C	17.5	CF/CM/CU48C	1000	35.8	23.4	15.00	13.00	36.0	23.2	9.00	7.75	3.64	2.54
YHG36B21S	YP9C080B12MP13C	17.5	CF/CM/CU36B	975	34.8	22.8	15.00	12.50	35.2	22.8	9.00	7.90	3.60	2.58
YHG36B21S	YP9C080B12MP13C	17.5	CF/CM/CU36C	950	34.8	22.6	15.00	12.50	35.0	22.8	9.00	7.90	3.60	2.58
YHG36B21S	YP9C080B12MP13C	17.5	CF/CM/CU48C	950	35.8	23.0	15.25	13.00	36.0	23.0	9.00	7.80	3.64	2.56
YHG36B21S	YP9C080C16MP13C	21.0	CF/CM/CU36C	950	35.0	22.8	15.00	13.00	35.0	22.8	9.00	7.85	3.62	2.60
YHG36B21S	YP9C080C16MP13C	21.0	CF/CM/CU48C	950	36.0	23.2	16.00	13.00	36.0	23.0	9.00	7.80	3.66	2.56
YHG36B21S	YP9C080C16MP13C	21.0	CF/CM/CU48D	950	36.0	23.2	16.00	13.00	36.0	23.0	9.00	7.80	3.68	2.56
YHG36B21S	YP9C080C16MP13C	21.0	CF/CM36D	950	35.0	22.8	15.00	13.00	35.0	22.6	9.00	7.85	3.62	2.60
YHG36B21S	YP9C100C16MP13C	21.0	CF/CM/CU36C	1000	35.2	23.2	15.25	13.00	35.0	22.8	9.00	7.85	3.68	2.62
YHG36B21S	YP9C100C16MP13C	21.0	CF/CM/CU48C	1075	36.0	23.8	16.00	13.00	36.0	23.0	9.00	7.65	3.78	2.60
YHG36B21S	YP9C100C16MP13C	21.0	CF/CM/CU48D	975	36.0	23.2	16.00	13.00	36.0	23.0	9.00	7.75	3.70	2.58
YHG36B21S	YP9C100C16MP13C	21.0	CF/CM36D	975	35.0	22.8	15.25	13.00	35.0	22.6	9.00	7.80	3.66	2.62
YHG36B21S	YP9C100C20MP13C	21.0	CF/CM/CU36C	1100	35.4	24.4	15.00	12.50	35.6	23.0	9.00	7.75	3.74	2.64
YHG36B21S	YP9C100C20MP13C	21.0	CF/CM/CU48C	1100	36.0	24.0	15.25	13.00	36.0	23.0	9.00	7.65	3.78	2.60

**SYSTEM CAPACITY - With High Efficiency Motor Furnaces<sup>1</sup>**

UNIT MODEL	FURNACE		COIL MODEL <sup>2</sup>	COOLING					HEATING					
	MODEL	WIDTH		RATED CFM	NET MBH		SEER	EER	NET MBH		HSPF Region IV	HSPF Region V	COP	
					TOTAL	SENS.			47°F OD	17°F OD			47°F OD	17°F OD
YHG36B21S	YP9C100C20MP13C	21.0	CF/CM/CU48D	1100	36.0	24.0	16.00	13.00	36.0	23.0	9.00	7.65	3.80	2.60
YHG36B21S	YP9C100C20MP13C	21.0	CF/CM36D	1100	35.4	24.2	15.00	13.00	35.4	23.0	9.00	7.80	3.76	2.64
YHG36B21S	YP9C120D20MP13C	24.5	CF/CM/CU48D	1050	36.0	23.6	16.00	13.00	36.0	23.0	9.00	7.70	3.78	2.60
YHG36B21S	YP9C120D20MP13C	24.5	CF/CM36D	1050	35.4	23.8	15.25	13.00	35.2	22.8	9.00	7.75	3.74	2.64
YHG36B21S	YPLC060A12MP13C	14.5	CF/CM/CU36B	975	34.8	22.8	15.00	12.50	35.2	22.8	9.00	7.90	3.60	2.58
YHG36B21S	YPLC060A12MP13C	14.5	CF/CM36A	900	34.6	22.2	15.00	12.50	35.0	22.8	9.00	7.95	3.52	2.54
YHG36B21S	YPLC080B12MP13C	17.5	CF/CM/CU36B	900	34.6	22.2	15.00	12.50	35.0	22.8	9.00	7.95	3.52	2.54
YHG36B21S	YPLC080B12MP13C	17.5	CF/CM/CU36C	900	34.6	22.2	15.00	12.50	34.8	22.8	9.00	7.90	3.54	2.56
YHG36B21S	YPLC080B12MP13C	17.5	CF/CM/CU48C	1000	35.8	23.4	15.00	13.00	36.0	23.2	9.00	7.75	3.64	2.54
YHG36B21S	YPLC080C16MP13C	21.0	CF/CM/CU36C	950	35.0	22.8	15.00	13.00	34.8	22.6	9.00	7.85	3.62	2.60
YHG36B21S	YPLC080C16MP13C	21.0	CF/CM/CU48C	950	36.0	23.2	16.00	13.00	36.0	23.0	9.00	7.80	3.68	2.58
YHG36B21S	YPLC080C16MP13C	21.0	CF/CM/CU48D	950	36.0	23.2	16.00	13.00	36.0	23.0	9.00	7.75	3.68	2.58
YHG36B21S	YPLC080C16MP13C	21.0	CF/CM36D	950	35.0	22.8	15.25	13.00	34.8	22.6	9.00	7.85	3.62	2.60
YHG36B21S	YPLC100C16MP13C	21.0	CF/CM/CU36C	950	35.0	22.8	15.00	13.00	34.8	22.6	9.00	7.85	3.62	2.60
YHG36B21S	YPLC100C16MP13C	21.0	CF/CM/CU48C	950	36.0	23.2	16.00	13.00	36.0	23.0	9.00	7.80	3.68	2.58
YHG36B21S	YPLC100C16MP13C	21.0	CF/CM/CU48D	950	36.0	23.2	16.00	13.00	36.0	23.0	9.00	7.75	3.68	2.58
YHG36B21S	YPLC100C16MP13C	21.0	CF/CM36D	950	35.0	22.8	15.25	13.00	34.8	22.6	9.00	7.85	3.62	2.60
YHG36B21S	YPLC100C20MP13C	21.0	CF/CM/CU36C	1150	35.6	24.8	15.25	13.00	35.6	23.0	9.00	7.70	3.82	2.68
YHG36B21S	YPLC100C20MP13C	21.0	CF/CM/CU48C	1150	36.0	24.4	16.00	13.00	36.0	23.0	9.00	7.65	3.86	2.62
YHG36B21S	YPLC100C20MP13C	21.0	CF/CM/CU48D	1150	36.0	24.4	16.00	13.00	36.0	23.0	9.00	7.65	3.86	2.62
YHG36B21S	YPLC100C20MP13C	21.0	CF/CM36D	1150	35.8	24.8	15.25	13.00	35.6	23.0	9.00	7.70	3.82	2.68
YHG36B21S	YPLC120C20MP13C	21.0	CF/CM/CU36C	1150	35.6	24.8	15.25	13.00	35.6	23.0	9.00	7.70	3.82	2.68
YHG36B21S	YPLC120C20MP13C	21.0	CF/CM/CU48C	1150	36.0	24.4	16.00	13.00	36.0	23.0	9.00	7.65	3.86	2.62
YHG36B21S	YPLC120C20MP13C	21.0	CF/CM/CU48D	1150	36.0	24.4	16.00	13.00	36.0	23.0	9.00	7.65	3.86	2.62
YHG36B21S	YPLC120C20MP13C	21.0	CF/CM36D	1150	35.8	24.8	15.25	13.00	35.6	23.0	9.00	7.70	3.82	2.68
YHG42B21S	TM8V080C16MP12C	21.0	CF/CM/CU48C	1200	41.0	27.8	16.00	13.00	42.0	25.8	9.00	7.30	3.72	2.62
YHG42B21S	TM8V080C16MP12C	21.0	CF/CM/CU48D	1200	41.0	27.8	16.00	13.00	42.0	25.6	9.00	7.20	3.74	2.62
YHG42B21S	TM8V080C16MP12C	21.0	CF/CM/CU60C	1200	41.0	28.2	16.00	13.00	41.5	27.4	9.50	8.00	3.76	2.80
YHG42B21S	TM8V080C16MP12C	21.0	CF/CM/CU60D	1200	41.5	28.6	16.00	13.00	41.5	27.2	9.50	8.00	3.76	2.80
YHG42B21S	TM8V100C16MP12C	21.0	CF/CM/CU48C	1200	41.0	27.8	16.00	13.00	42.0	25.8	9.00	7.30	3.72	2.62
YHG42B21S	TM8V100C16MP12C	21.0	CF/CM/CU48D	1200	41.0	27.8	16.00	13.00	42.0	25.6	9.00	7.20	3.74	2.62
YHG42B21S	TM8V100C16MP12C	21.0	CF/CM/CU60C	1200	41.0	28.2	16.00	13.00	41.5	27.4	9.50	8.00	3.76	2.80
YHG42B21S	TM8V100C16MP12C	21.0	CF/CM/CU60D	1200	41.5	28.6	16.00	13.00	41.5	27.2	9.50	8.00	3.76	2.80
YHG42B21S	TM8V100C20MP12C	21.0	CF/CM/CU48C	1225	41.0	27.8	16.00	13.00	42.0	25.6	9.00	7.20	3.78	2.66
YHG42B21S	TM8V100C20MP12C	21.0	CF/CM/CU48D	1225	41.0	27.8	16.00	13.00	42.0	25.6	9.00	7.10	3.78	2.66
YHG42B21S	TM8V100C20MP12C	21.0	CF/CM/CU60C	1225	41.5	28.8	16.00	13.00	41.5	27.2	9.50	7.95	3.80	2.82
YHG42B21S	TM8V100C20MP12C	21.0	CF/CM/CU60D	1225	41.5	28.8	16.00	13.00	41.5	27.2	9.50	7.90	3.82	2.84

### SYSTEM CAPACITY - With High Efficiency Motor Furnaces<sup>1</sup>

UNIT MODEL	FURNACE		COIL MODEL <sup>2</sup>	COOLING					HEATING					
	MODEL	WIDTH		RATED CFM	NET MBH		SEER	EER	NET MBH		HSPF Region IV	HSPF Region V	COP	
					TOTAL	SENS.			47°F OD	17°F OD			47°F OD	17°F OD
YHG42B21S	TM8V120C20MP12C	21.0	CF/CM/CU48C	1225	41.0	27.8	16.00	13.00	42.0	25.6	9.00	7.20	3.78	2.66
YHG42B21S	TM8V120C20MP12C	21.0	CF/CM/CU48D	1225	41.0	27.8	16.00	13.00	42.0	25.6	9.00	7.10	3.78	2.66
YHG42B21S	TM8V120C20MP12C	21.0	CF/CM/CU60C	1225	41.5	28.8	16.00	13.00	41.5	27.2	9.50	7.95	3.80	2.82
YHG42B21S	TM8V120C20MP12C	21.0	CF/CM/CU60D	1225	41.5	28.8	16.00	13.00	41.5	27.2	9.50	7.90	3.82	2.84
YHG42B21S	TM8X080C16MP11	21.0	CF/CM/CU48C	1150	40.5	27.0	16.00	13.00	42.0	25.4	9.00	7.35	3.72	2.60
YHG42B21S	TM8X080C16MP11	21.0	CF/CM/CU48D	1400	41.0	29.0	15.00	13.00	42.0	26.6	9.00	7.00	3.80	2.70
YHG42B21S	TM8X080C16MP11	21.0	CF/CM/CU60C	1375	41.5	30.2	15.50	13.00	42.0	27.8	9.00	6.90	3.82	2.76
YHG42B21S	TM8X080C16MP11	21.0	CF/CM/CU60D	1400	41.5	30.2	15.50	13.00	42.0	27.8	9.00	6.80	3.86	2.78
YHG42B21S	TM8X100C16MP11	21.0	CF/CM/CU48C	1150	40.5	27.0	16.00	13.00	42.0	25.4	9.00	7.35	3.72	2.60
YHG42B21S	TM8X100C16MP11	21.0	CF/CM/CU48D	1400	41.0	29.0	15.00	13.00	42.0	26.6	9.00	7.00	3.80	2.70
YHG42B21S	TM8X100C16MP11	21.0	CF/CM/CU60C	1375	41.5	30.2	15.50	13.00	42.0	27.8	9.00	6.90	3.82	2.76
YHG42B21S	TM8X100C16MP11	21.0	CF/CM/CU60D	1400	41.5	30.2	15.50	13.00	42.0	27.8	9.00	6.80	3.86	2.78
YHG42B21S	TM8X100C20MP11	21.0	CF/CM/CU48C	1225	41.0	27.8	16.00	13.00	42.0	25.6	9.00	7.20	3.78	2.66
YHG42B21S	TM8X100C20MP11	21.0	CF/CM/CU48D	1250	41.0	27.8	16.00	13.00	42.0	25.8	9.00	7.05	3.80	2.68
YHG42B21S	TM8X100C20MP11	21.0	CF/CM/CU60C	1225	41.5	28.8	16.00	13.00	41.5	27.2	9.50	7.85	3.80	2.82
YHG42B21S	TM8X100C20MP11	21.0	CF/CM/CU60D	1250	41.5	28.8	16.00	13.00	41.5	27.2	9.50	7.90	3.84	2.84
YHG42B21S	TM8X120C20MP11	21.0	CF/CM/CU48C	1225	41.0	27.8	16.00	13.00	42.0	25.6	9.00	7.20	3.78	2.66
YHG42B21S	TM8X120C20MP11	21.0	CF/CM/CU48D	1250	41.0	27.8	16.00	13.00	42.0	25.8	9.00	7.05	3.80	2.68
YHG42B21S	TM8X120C20MP11	21.0	CF/CM/CU60C	1225	41.5	28.8	16.00	13.00	41.5	27.2	9.50	7.85	3.80	2.82
YHG42B21S	TM8X120C20MP11	21.0	CF/CM/CU60D	1250	41.5	28.8	16.00	13.00	41.5	27.2	9.50	7.90	3.84	2.84
YHG42B21S	TM8Y080C16MP11	21.0	CF/CM/CU48C	1150	40.5	27.0	16.00	13.00	42.0	25.4	9.00	7.35	3.72	2.60
YHG42B21S	TM8Y080C16MP11	21.0	CF/CM/CU48D	1400	41.0	29.0	15.00	13.00	42.0	26.6	9.00	7.00	3.80	2.70
YHG42B21S	TM8Y080C16MP11	21.0	CF/CM/CU60C	1375	41.5	30.2	15.50	13.00	42.0	27.8	9.00	6.90	3.82	2.76
YHG42B21S	TM8Y080C16MP11	21.0	CF/CM/CU60D	1400	41.5	30.2	15.50	13.00	42.0	27.8	9.00	6.80	3.86	2.78
YHG42B21S	TM8Y100C16MP11	21.0	CF/CM/CU48C	1150	40.5	27.0	16.00	13.00	42.0	25.4	9.00	7.35	3.72	2.60
YHG42B21S	TM8Y100C16MP11	21.0	CF/CM/CU48D	1400	41.0	29.0	15.00	13.00	42.0	26.6	9.00	7.00	3.80	2.70
YHG42B21S	TM8Y100C16MP11	21.0	CF/CM/CU60C	1375	41.5	30.2	15.50	13.00	42.0	27.8	9.00	6.90	3.82	2.76
YHG42B21S	TM8Y100C16MP11	21.0	CF/CM/CU60D	1400	41.5	30.2	15.50	13.00	42.0	27.8	9.00	6.80	3.86	2.78
YHG42B21S	TM8Y100C20MP11	21.0	CF/CM/CU48C	1225	41.0	27.8	16.00	13.00	42.0	25.6	9.00	7.20	3.78	2.66
YHG42B21S	TM8Y100C20MP11	21.0	CF/CM/CU48D	1250	41.0	27.8	16.00	13.00	42.0	25.8	9.00	7.05	3.80	2.68
YHG42B21S	TM8Y100C20MP11	21.0	CF/CM/CU60C	1225	41.5	28.8	16.00	13.00	41.5	27.2	9.50	7.85	3.80	2.82
YHG42B21S	TM8Y100C20MP11	21.0	CF/CM/CU60D	1250	41.5	28.8	16.00	13.00	41.5	27.2	9.50	7.90	3.84	2.84
YHG42B21S	TM8Y120C20MP11	21.0	CF/CM/CU48C	1225	41.0	27.8	16.00	13.00	42.0	25.6	9.00	7.20	3.78	2.66
YHG42B21S	TM8Y120C20MP11	21.0	CF/CM/CU48D	1250	41.0	27.8	16.00	13.00	42.0	25.8	9.00	7.05	3.80	2.68
YHG42B21S	TM8Y120C20MP11	21.0	CF/CM/CU60C	1225	41.5	28.8	16.00	13.00	41.5	27.2	9.50	7.85	3.80	2.82
YHG42B21S	TM8Y120C20MP11	21.0	CF/CM/CU60D	1250	41.5	28.8	16.00	13.00	41.5	27.2	9.50	7.90	3.84	2.84
YHG42B21S	TM9E080C16MP11	21.0	CF/CM/CU48C	1150	40.5	26.8	16.00	13.00	42.0	25.6	9.00	7.40	3.70	2.60

**SYSTEM CAPACITY - With High Efficiency Motor Furnaces<sup>1</sup>**

UNIT MODEL	FURNACE		COIL MODEL <sup>2</sup>	COOLING					HEATING					
	MODEL	WIDTH		RATED CFM	NET MBH		SEER	EER	NET MBH		HSPF Region IV	HSPF Region V	COP	
					TOTAL	SENS.			47°F OD	17°F OD			47°F OD	17°F OD
YHG42B21S	TM9E080C16MP11	21.0	CF/CM/CU48D	1275	41.0	28.4	15.00	13.00	42.0	26.2	9.00	7.25	3.72	2.62
YHG42B21S	TM9E080C16MP11	21.0	CF/CM/CU60C	1250	41.0	28.8	15.50	13.00	42.0	27.6	9.00	7.15	3.74	2.76
YHG42B21S	TM9E080C16MP11	21.0	CF/CM/CU60D	1275	41.5	29.4	15.50	13.00	42.0	27.6	9.00	7.05	3.76	2.76
YHG42B21S	TM9E100C16MP11	21.0	CF/CM/CU48C	1150	40.5	26.8	16.00	13.00	42.0	25.6	9.00	7.30	3.70	2.60
YHG42B21S	TM9E100C16MP11	21.0	CF/CM/CU48D	1300	41.0	28.4	15.50	13.00	42.0	26.2	9.00	7.15	3.76	2.66
YHG42B21S	TM9E100C16MP11	21.0	CF/CM/CU60C	1275	41.5	29.4	15.50	13.00	42.0	27.6	9.00	7.00	3.78	2.78
YHG42B21S	TM9E100C16MP11	21.0	CF/CM/CU60D	1300	41.5	29.4	16.00	13.00	42.0	27.6	9.50	8.00	3.80	2.78
YHG42B21S	TM9E100C20MP11	21.0	CF/CM/CU48C	1175	40.5	27.2	16.00	13.00	42.0	25.6	9.00	7.25	3.72	2.62
YHG42B21S	TM9E100C20MP11	21.0	CF/CM/CU48D	1200	41.0	27.6	16.00	13.00	42.0	25.6	9.00	7.20	3.74	2.62
YHG42B21S	TM9E100C20MP11	21.0	CF/CM/CU60C	1350	41.5	30.0	15.50	13.00	42.0	27.8	9.00	6.90	3.82	2.78
YHG42B21S	TM9E100C20MP11	21.0	CF/CM/CU60D	1200	41.5	28.6	16.00	13.00	41.5	27.2	9.50	8.05	3.76	2.82
YHG42B21S	TM9E120D20MP11	24.5	CF/CM/CU48D	1250	41.0	27.8	16.00	13.00	42.0	25.8	9.00	7.10	3.78	2.66
YHG42B21S	TM9E120D20MP11	24.5	CF/CM/CU60D	1250	41.5	29.0	16.00	13.00	41.5	27.2	9.50	7.85	3.82	2.82
YHG42B21S	TM9V080C16MP12C	21.0	CF/CM/CU48C	1225	40.5	27.4	15.50	13.00	42.0	26.0	9.00	7.30	3.70	2.62
YHG42B21S	TM9V080C16MP12C	21.0	CF/CM/CU48D	1225	40.5	27.4	15.50	13.00	42.0	26.0	9.00	7.30	3.72	2.62
YHG42B21S	TM9V080C16MP12C	21.0	CF/CM/CU60C	1225	41.0	28.6	15.50	13.00	41.5	27.6	9.00	7.05	3.74	2.78
YHG42B21S	TM9V080C16MP12C	21.0	CF/CM/CU60D	1225	41.0	28.4	16.00	13.00	41.5	27.4	9.50	8.10	3.74	2.78
YHG42B21S	TM9V100C16MP12C	21.0	CF/CM/CU48C	1225	41.0	27.8	16.00	13.00	42.0	25.8	9.00	7.15	3.76	2.64
YHG42B21S	TM9V100C16MP12C	21.0	CF/CM/CU48D	1200	41.0	27.6	16.00	13.00	42.0	25.6	9.00	7.25	3.74	2.64
YHG42B21S	TM9V100C16MP12C	21.0	CF/CM/CU60C	1225	41.5	28.8	16.00	13.00	41.5	27.4	9.50	7.95	3.78	2.80
YHG42B21S	TM9V100C16MP12C	21.0	CF/CM/CU60D	1200	41.5	28.6	16.00	13.00	41.5	27.2	9.50	7.95	3.78	2.82
YHG42B21S	TM9V100C20MP12C	21.0	CF/CM/CU48C	1225	41.0	27.8	16.00	13.00	42.0	25.8	9.00	7.25	3.74	2.64
YHG42B21S	TM9V100C20MP12C	21.0	CF/CM/CU48D	1225	41.0	27.8	16.00	13.00	42.0	25.8	9.00	7.15	3.76	2.64
YHG42B21S	TM9V100C20MP12C	21.0	CF/CM/CU60C	1225	41.5	28.8	16.00	13.00	41.5	27.4	9.50	8.00	3.78	2.80
YHG42B21S	TM9V100C20MP12C	21.0	CF/CM/CU60D	1225	41.5	28.8	16.00	13.00	41.5	27.2	9.50	7.95	3.80	2.82
YHG42B21S	TM9V120D20MP12C	24.5	CF/CM/CU48D	1250	41.0	27.8	16.00	13.25	42.0	25.8	9.00	7.15	3.80	2.68
YHG42B21S	TM9V120D20MP12C	24.5	CF/CM/CU60D	1200	41.5	28.6	16.00	13.50	41.5	27.2	9.50	7.90	3.80	2.84
YHG42B21S	TM9Y080C16MP11	21.0	CF/CM/CU48C	1150	40.5	26.8	16.00	13.00	42.0	25.6	9.00	7.40	3.70	2.60
YHG42B21S	TM9Y080C16MP11	21.0	CF/CM/CU48D	1275	41.0	28.4	15.00	13.00	42.0	26.2	9.00	7.25	3.72	2.62
YHG42B21S	TM9Y080C16MP11	21.0	CF/CM/CU60C	1250	41.0	28.8	15.50	13.00	42.0	27.6	9.00	7.15	3.74	2.76
YHG42B21S	TM9Y080C16MP11	21.0	CF/CM/CU60D	1275	41.5	29.4	15.50	13.00	42.0	27.6	9.00	7.05	3.76	2.76
YHG42B21S	TM9Y100C16MP11	21.0	CF/CM/CU48C	1150	40.5	26.8	16.00	13.00	42.0	25.6	9.00	7.30	3.70	2.60
YHG42B21S	TM9Y100C16MP11	21.0	CF/CM/CU48D	1300	41.0	28.4	15.50	13.00	42.0	26.2	9.00	7.15	3.76	2.66
YHG42B21S	TM9Y100C16MP11	21.0	CF/CM/CU60C	1275	41.5	29.4	15.50	13.00	42.0	27.6	9.00	7.00	3.78	2.78
YHG42B21S	TM9Y100C16MP11	21.0	CF/CM/CU60D	1300	41.5	29.4	16.00	13.00	42.0	27.6	9.50	8.00	3.80	2.78
YHG42B21S	TM9Y100C20MP11	21.0	CF/CM/CU48C	1175	40.5	27.2	16.00	13.00	42.0	25.6	9.00	7.25	3.72	2.62
YHG42B21S	TM9Y100C20MP11	21.0	CF/CM/CU48D	1200	41.0	27.6	16.00	13.00	42.0	25.6	9.00	7.20	3.74	2.62

SYSTEM CAPACITY - With High Efficiency Motor Furnaces<sup>1</sup>

UNIT MODEL	FURNACE		COIL MODEL <sup>2</sup>	COOLING					HEATING					
	MODEL	WIDTH		RATED CFM	NET MBH		SEER	EER	NET MBH		HSPF Region IV	HSPF Region V	COP	
					TOTAL	SENS.			47°F OD	17°F OD			47°F OD	17°F OD
YHG42B21S	TM9Y100C20MP11	21.0	CF/CM/CU60C	1350	41.5	30.0	15.50	13.00	42.0	27.8	9.00	6.90	3.82	2.78
YHG42B21S	TM9Y100C20MP11	21.0	CF/CM/CU60D	1200	41.5	28.6	16.00	13.00	41.5	27.2	9.50	8.05	3.76	2.82
YHG42B21S	TM9Y120D20MP11	24.5	CF/CM/CU48D	1250	41.0	27.8	16.00	13.00	42.0	25.8	9.00	7.10	3.78	2.66
YHG42B21S	TM9Y120D20MP11	24.5	CF/CM/CU60D	1250	41.5	29.0	16.00	13.00	41.5	27.2	9.50	7.85	3.82	2.82
YHG42B21S	TMLV080C16MP12C	21.0	CF/CM/CU48C	1200	41.0	27.8	16.00	13.00	42.0	25.8	9.00	7.30	3.72	2.62
YHG42B21S	TMLV080C16MP12C	21.0	CF/CM/CU48D	1200	41.0	27.8	16.00	13.00	42.0	25.6	9.00	7.20	3.74	2.62
YHG42B21S	TMLV080C16MP12C	21.0	CF/CM/CU60C	1200	41.0	28.2	16.00	13.00	41.5	27.4	9.50	8.00	3.76	2.80
YHG42B21S	TMLV080C16MP12C	21.0	CF/CM/CU60D	1200	41.5	28.6	16.00	13.00	41.5	27.2	9.50	8.00	3.76	2.80
YHG42B21S	TMLV100C16MP12C	21.0	CF/CM/CU48C	1200	41.0	27.8	16.00	13.00	42.0	25.8	9.00	7.30	3.72	2.62
YHG42B21S	TMLV100C16MP12C	21.0	CF/CM/CU48D	1200	41.0	27.8	16.00	13.00	42.0	25.6	9.00	7.20	3.74	2.62
YHG42B21S	TMLV100C16MP12C	21.0	CF/CM/CU60C	1200	41.0	28.2	16.00	13.00	41.5	27.4	9.50	8.00	3.76	2.80
YHG42B21S	TMLV100C16MP12C	21.0	CF/CM/CU60D	1200	41.5	28.6	16.00	13.00	41.5	27.2	9.50	8.00	3.76	2.80
YHG42B21S	TMLV100C20MP12C	21.0	CF/CM/CU48C	1225	41.0	27.8	16.00	13.00	42.0	25.6	9.00	7.20	3.78	2.66
YHG42B21S	TMLV100C20MP12C	21.0	CF/CM/CU48D	1225	41.0	27.8	16.00	13.00	42.0	25.6	9.00	7.10	3.78	2.66
YHG42B21S	TMLV100C20MP12C	21.0	CF/CM/CU60C	1225	41.5	28.8	16.00	13.00	41.5	27.2	9.50	7.95	3.80	2.82
YHG42B21S	TMLV100C20MP12C	21.0	CF/CM/CU60D	1225	41.5	28.8	16.00	13.00	41.5	27.2	9.50	7.90	3.82	2.84
YHG42B21S	TMLV120C20MP12C	21.0	CF/CM/CU48C	1225	41.0	27.8	16.00	13.00	42.0	25.6	9.00	7.20	3.78	2.66
YHG42B21S	TMLV120C20MP12C	21.0	CF/CM/CU48D	1225	41.0	27.8	16.00	13.00	42.0	25.6	9.00	7.10	3.78	2.66
YHG42B21S	TMLV120C20MP12C	21.0	CF/CM/CU60C	1225	41.5	28.8	16.00	13.00	41.5	27.2	9.50	7.95	3.80	2.82
YHG42B21S	TMLV120C20MP12C	21.0	CF/CM/CU60D	1225	41.5	28.8	16.00	13.00	41.5	27.2	9.50	7.90	3.82	2.84
YHG42B21S	TMLX080C16MP11	21.0	CF/CM/CU48C	1150	40.5	27.0	16.00	13.00	42.0	25.4	9.00	7.35	3.72	2.60
YHG42B21S	TMLX080C16MP11	21.0	CF/CM/CU48D	1400	41.0	29.0	15.00	13.00	42.0	26.6	9.00	7.00	3.80	2.70
YHG42B21S	TMLX080C16MP11	21.0	CF/CM/CU60C	1375	41.5	30.2	15.50	13.00	42.0	27.8	9.00	6.90	3.82	2.76
YHG42B21S	TMLX080C16MP11	21.0	CF/CM/CU60D	1400	41.5	30.2	15.50	13.00	42.0	27.8	9.00	6.80	3.86	2.78
YHG42B21S	TMLX100C16MP11	21.0	CF/CM/CU48C	1150	40.5	27.0	16.00	13.00	42.0	25.4	9.00	7.35	3.72	2.60
YHG42B21S	TMLX100C16MP11	21.0	CF/CM/CU48D	1400	41.0	29.0	15.00	13.00	42.0	26.6	9.00	7.00	3.80	2.70
YHG42B21S	TMLX100C16MP11	21.0	CF/CM/CU60C	1375	41.5	30.2	15.50	13.00	42.0	27.8	9.00	6.90	3.82	2.76
YHG42B21S	TMLX100C16MP11	21.0	CF/CM/CU60D	1400	41.5	30.2	15.50	13.00	42.0	27.8	9.00	6.80	3.86	2.78
YHG42B21S	TMLX100C20MP11	21.0	CF/CM/CU48C	1225	41.0	27.8	16.00	13.00	42.0	25.6	9.00	7.20	3.78	2.66
YHG42B21S	TMLX100C20MP11	21.0	CF/CM/CU48D	1250	41.0	27.8	16.00	13.00	42.0	25.8	9.00	7.05	3.80	2.68
YHG42B21S	TMLX100C20MP11	21.0	CF/CM/CU60C	1225	41.5	28.8	16.00	13.00	41.5	27.2	9.50	7.85	3.80	2.82
YHG42B21S	TMLX100C20MP11	21.0	CF/CM/CU60D	1250	41.5	28.8	16.00	13.00	41.5	27.2	9.50	7.90	3.84	2.84
YHG42B21S	TMLX120C20MP11	21.0	CF/CM/CU48C	1225	41.0	27.8	16.00	13.00	42.0	25.6	9.00	7.20	3.78	2.66
YHG42B21S	TMLX120C20MP11	21.0	CF/CM/CU48D	1250	41.0	27.8	16.00	13.00	42.0	25.8	9.00	7.05	3.80	2.68
YHG42B21S	TMLX120C20MP11	21.0	CF/CM/CU60C	1225	41.5	28.8	16.00	13.00	41.5	27.2	9.50	7.85	3.80	2.82
YHG42B21S	TMLX120C20MP11	21.0	CF/CM/CU60D	1250	41.5	28.8	16.00	13.00	41.5	27.2	9.50	7.90	3.84	2.84
YHG42B21S	TP9C080C16MP13C	21.0	CF/CM/CU48C	1225	40.5	27.4	15.50	13.00	42.0	26.0	9.00	7.30	3.70	2.62

**SYSTEM CAPACITY - With High Efficiency Motor Furnaces<sup>1</sup>**

UNIT MODEL	FURNACE		COIL MODEL <sup>2</sup>	COOLING					HEATING					
	MODEL	WIDTH		RATED CFM	NET MBH		SEER	EER	NET MBH		HSPF Region IV	HSPF Region V	COP	
					TOTAL	SENS.			47°F OD	17°F OD			47°F OD	17°F OD
YHG42B21S	TP9C080C16MP13C	21.0	CF/CM/CU48D	1225	40.5	27.4	15.50	13.00	42.0	26.0	9.00	7.30	3.72	2.62
YHG42B21S	TP9C080C16MP13C	21.0	CF/CM/CU60C	1225	41.0	28.6	15.50	13.00	41.5	27.6	9.00	7.05	3.74	2.78
YHG42B21S	TP9C080C16MP13C	21.0	CF/CM/CU60D	1225	41.0	28.4	16.00	13.00	41.5	27.4	9.50	8.10	3.74	2.78
YHG42B21S	TP9C100C16MP13C	21.0	CF/CM/CU48C	1225	41.0	27.8	16.00	13.00	42.0	25.8	9.00	7.15	3.76	2.64
YHG42B21S	TP9C100C16MP13C	21.0	CF/CM/CU48D	1200	41.0	27.6	16.00	13.00	42.0	25.6	9.00	7.25	3.74	2.64
YHG42B21S	TP9C100C16MP13C	21.0	CF/CM/CU60C	1225	41.5	28.8	16.00	13.00	41.5	27.4	9.50	7.95	3.78	2.80
YHG42B21S	TP9C100C16MP13C	21.0	CF/CM/CU60D	1200	41.5	28.6	16.00	13.00	41.5	27.2	9.50	7.95	3.78	2.82
YHG42B21S	TP9C100C20MP13C	21.0	CF/CM/CU48C	1225	41.0	27.8	16.00	13.00	42.0	25.8	9.00	7.25	3.74	2.64
YHG42B21S	TP9C100C20MP13C	21.0	CF/CM/CU48D	1225	41.0	27.8	16.00	13.00	42.0	25.8	9.00	7.15	3.76	2.64
YHG42B21S	TP9C100C20MP13C	21.0	CF/CM/CU60C	1225	41.5	28.8	16.00	13.00	41.5	27.4	9.50	8.00	3.78	2.80
YHG42B21S	TP9C100C20MP13C	21.0	CF/CM/CU60D	1225	41.5	28.8	16.00	13.00	41.5	27.2	9.50	7.95	3.80	2.82
YHG42B21S	TP9C120D20MP13C	24.5	CF/CM/CU48D	1250	41.0	27.8	16.00	13.25	42.0	25.8	9.00	7.15	3.80	2.68
YHG42B21S	TP9C120D20MP13C	24.5	CF/CM/CU60D	1200	41.5	28.6	16.00	13.50	41.5	27.2	9.50	7.90	3.80	2.84
YHG42B21S	TPLC080C16MP13C	21.0	CF/CM/CU48C	1200	41.0	27.8	16.00	13.00	42.0	25.8	9.00	7.30	3.72	2.62
YHG42B21S	TPLC080C16MP13C	21.0	CF/CM/CU48D	1200	41.0	27.8	16.00	13.00	42.0	25.6	9.00	7.20	3.74	2.62
YHG42B21S	TPLC080C16MP13C	21.0	CF/CM/CU60C	1200	41.0	28.2	16.00	13.00	41.5	27.4	9.50	8.00	3.76	2.80
YHG42B21S	TPLC080C16MP13C	21.0	CF/CM/CU60D	1200	41.5	28.6	16.00	13.00	41.5	27.2	9.50	8.00	3.76	2.80
YHG42B21S	TPLC100C16MP13C	21.0	CF/CM/CU48C	1200	41.0	27.8	16.00	13.00	42.0	25.8	9.00	7.30	3.72	2.62
YHG42B21S	TPLC100C16MP13C	21.0	CF/CM/CU48D	1200	41.0	27.8	16.00	13.00	42.0	25.6	9.00	7.20	3.74	2.62
YHG42B21S	TPLC100C16MP13C	21.0	CF/CM/CU60C	1200	41.0	28.2	16.00	13.00	41.5	27.4	9.50	8.00	3.76	2.80
YHG42B21S	TPLC100C16MP13C	21.0	CF/CM/CU60D	1200	41.5	28.6	16.00	13.00	41.5	27.2	9.50	8.00	3.76	2.80
YHG42B21S	TPLC100C20MP13C	21.0	CF/CM/CU48C	1225	41.0	27.8	16.00	13.00	42.0	25.6	9.00	7.20	3.78	2.66
YHG42B21S	TPLC100C20MP13C	21.0	CF/CM/CU48D	1225	41.0	27.8	16.00	13.00	42.0	25.6	9.00	7.10	3.78	2.66
YHG42B21S	TPLC100C20MP13C	21.0	CF/CM/CU60C	1225	41.5	28.8	16.00	13.00	41.5	27.2	9.50	7.95	3.80	2.82
YHG42B21S	TPLC100C20MP13C	21.0	CF/CM/CU60D	1225	41.5	28.8	16.00	13.00	41.5	27.2	9.50	7.90	3.82	2.84
YHG42B21S	TPLC120C20MP13C	21.0	CF/CM/CU48C	1225	41.0	27.8	16.00	13.00	42.0	25.6	9.00	7.20	3.78	2.66
YHG42B21S	TPLC120C20MP13C	21.0	CF/CM/CU48D	1225	41.0	27.8	16.00	13.00	42.0	25.6	9.00	7.10	3.78	2.66
YHG42B21S	TPLC120C20MP13C	21.0	CF/CM/CU60C	1225	41.5	28.8	16.00	13.00	41.5	27.2	9.50	7.95	3.80	2.82
YHG42B21S	TPLC120C20MP13C	21.0	CF/CM/CU60D	1225	41.5	28.8	16.00	13.00	41.5	27.2	9.50	7.90	3.82	2.84
YHG42B21S	YP9C080C16MP13C	21.0	CF/CM/CU48C	1225	40.5	27.4	15.50	13.00	42.0	26.0	9.00	7.30	3.70	2.62
YHG42B21S	YP9C080C16MP13C	21.0	CF/CM/CU48D	1225	40.5	27.4	15.50	13.00	42.0	26.0	9.00	7.30	3.72	2.62
YHG42B21S	YP9C080C16MP13C	21.0	CF/CM/CU60C	1225	41.0	28.6	15.50	13.00	41.5	27.6	9.00	7.05	3.74	2.78
YHG42B21S	YP9C080C16MP13C	21.0	CF/CM/CU60D	1225	41.0	28.4	16.00	13.00	41.5	27.4	9.50	8.10	3.74	2.78
YHG42B21S	YP9C100C16MP13C	21.0	CF/CM/CU48C	1225	41.0	27.8	16.00	13.00	42.0	25.8	9.00	7.15	3.76	2.64
YHG42B21S	YP9C100C16MP13C	21.0	CF/CM/CU48D	1200	41.0	27.6	16.00	13.00	42.0	25.6	9.00	7.25	3.74	2.64
YHG42B21S	YP9C100C16MP13C	21.0	CF/CM/CU60C	1225	41.5	28.8	16.00	13.00	41.5	27.4	9.50	7.95	3.78	2.80
YHG42B21S	YP9C100C16MP13C	21.0	CF/CM/CU60D	1200	41.5	28.6	16.00	13.00	41.5	27.2	9.50	7.95	3.78	2.82



SYSTEM CAPACITY - With High Efficiency Motor Furnaces<sup>1</sup>

UNIT MODEL	FURNACE		COIL MODEL <sup>2</sup>	COOLING					HEATING					
	MODEL	WIDTH		RATED CFM	NET MBH		SEER	EER	NET MBH		HSPF Region IV	HSPF Region V	COP	
					TOTAL	SENS.			47°F OD	17°F OD			47°F OD	17°F OD
YHG42B21S	YP9C100C20MP13C	21.0	CF/CM/CU48C	1225	41.0	27.8	16.00	13.00	42.0	25.8	9.00	7.25	3.74	2.64
YHG42B21S	YP9C100C20MP13C	21.0	CF/CM/CU48D	1225	41.0	27.8	16.00	13.00	42.0	25.8	9.00	7.15	3.76	2.64
YHG42B21S	YP9C100C20MP13C	21.0	CF/CM/CU60C	1225	41.5	28.8	16.00	13.00	41.5	27.4	9.50	8.00	3.78	2.80
YHG42B21S	YP9C100C20MP13C	21.0	CF/CM/CU60D	1225	41.5	28.8	16.00	13.00	41.5	27.2	9.50	7.95	3.80	2.82
YHG42B21S	YP9C120D20MP13C	24.5	CF/CM/CU48D	1250	41.0	27.8	16.00	13.25	42.0	25.8	9.00	7.15	3.80	2.68
YHG42B21S	YP9C120D20MP13C	24.5	CF/CM/CU60D	1200	41.5	28.6	16.00	13.50	41.5	27.2	9.50	7.90	3.80	2.84
YHG42B21S	YPLC080C16MP13C	21.0	CF/CM/CU48C	1200	41.0	27.8	16.00	13.00	42.0	25.8	9.00	7.30	3.72	2.62
YHG42B21S	YPLC080C16MP13C	21.0	CF/CM/CU48D	1200	41.0	27.8	16.00	13.00	42.0	25.6	9.00	7.20	3.74	2.62
YHG42B21S	YPLC080C16MP13C	21.0	CF/CM/CU60C	1200	41.0	28.2	16.00	13.00	41.5	27.4	9.50	8.00	3.76	2.80
YHG42B21S	YPLC080C16MP13C	21.0	CF/CM/CU60D	1200	41.5	28.6	16.00	13.00	41.5	27.2	9.50	8.00	3.76	2.80
YHG42B21S	YPLC100C16MP13C	21.0	CF/CM/CU48C	1200	41.0	27.8	16.00	13.00	42.0	25.8	9.00	7.30	3.72	2.62
YHG42B21S	YPLC100C16MP13C	21.0	CF/CM/CU48D	1200	41.0	27.8	16.00	13.00	42.0	25.6	9.00	7.20	3.74	2.62
YHG42B21S	YPLC100C16MP13C	21.0	CF/CM/CU60C	1200	41.0	28.2	16.00	13.00	41.5	27.4	9.50	8.00	3.76	2.80
YHG42B21S	YPLC100C16MP13C	21.0	CF/CM/CU60D	1200	41.5	28.6	16.00	13.00	41.5	27.2	9.50	8.00	3.76	2.80
YHG42B21S	YPLC100C20MP13C	21.0	CF/CM/CU48C	1225	41.0	27.8	16.00	13.00	42.0	25.6	9.00	7.20	3.78	2.66
YHG42B21S	YPLC100C20MP13C	21.0	CF/CM/CU48D	1225	41.0	27.8	16.00	13.00	42.0	25.6	9.00	7.10	3.78	2.66
YHG42B21S	YPLC100C20MP13C	21.0	CF/CM/CU60C	1225	41.5	28.8	16.00	13.00	41.5	27.2	9.50	7.95	3.80	2.82
YHG42B21S	YPLC100C20MP13C	21.0	CF/CM/CU60D	1225	41.5	28.8	16.00	13.00	41.5	27.2	9.50	7.90	3.82	2.84
YHG42B21S	YPLC100C20MP13C	21.0	CF/CM/CU48C	1225	41.0	27.8	16.00	13.00	42.0	25.6	9.00	7.20	3.78	2.66
YHG42B21S	YPLC100C20MP13C	21.0	CF/CM/CU48D	1225	41.0	27.8	16.00	13.00	42.0	25.6	9.00	7.10	3.78	2.66
YHG42B21S	YPLC100C20MP13C	21.0	CF/CM/CU60C	1225	41.5	28.8	16.00	13.00	41.5	27.2	9.50	7.95	3.80	2.82
YHG42B21S	YPLC100C20MP13C	21.0	CF/CM/CU60D	1225	41.5	28.8	16.00	13.00	41.5	27.2	9.50	7.90	3.82	2.84
YHG48B21S	TM8V080C16MP12C	21.0	CF/CM/CU60C	1375	45.5	31.8	15.00	13.00	46.0	29.8	9.00	7.85	3.76	2.78
YHG48B21S	TM8V080C16MP12C	21.0	CF/CM/CU60D	1375	45.5	31.8	15.00	13.00	46.0	29.8	9.00	7.80	3.78	2.78
YHG48B21S	TM8V080C16MP12C	21.0	CF/CM50C	1425	48.0	36.0	15.50	13.00	45.5	28.0	8.50	7.35	3.48	2.50
YHG48B21S	TM8V080C16MP12C	21.0	CF/CM61D	1375	48.0	35.6	16.00	13.00	45.0	28.0	8.50	7.35	3.48	2.52
YHG48B21S	TM8V080C16MP12C	21.0	CF/CM64D	1425	47.0	32.6	15.00	13.00	47.5	27.8	9.00	7.50	3.98	2.70
YHG48B21S	TM8V100C16MP12C	21.0	CF/CM/CU60C	1375	45.5	31.8	15.00	13.00	46.0	29.8	9.00	7.85	3.76	2.78
YHG48B21S	TM8V100C16MP12C	21.0	CF/CM/CU60D	1375	45.5	31.8	15.00	13.00	46.0	29.8	9.00	7.80	3.78	2.78
YHG48B21S	TM8V100C16MP12C	21.0	CF/CM50C	1425	48.0	36.0	15.50	13.00	45.5	28.0	8.50	7.35	3.48	2.50
YHG48B21S	TM8V100C16MP12C	21.0	CF/CM61D	1375	48.0	35.6	16.00	13.00	45.0	28.0	8.50	7.35	3.48	2.52
YHG48B21S	TM8V100C16MP12C	21.0	CF/CM64D	1425	47.0	32.6	15.00	13.00	47.5	27.8	9.00	7.50	3.98	2.70
YHG48B21S	TM8V100C20MP12C	21.0	CF/CM/CU60C	1425	45.5	32.0	15.00	13.00	46.0	29.8	9.00	7.75	3.82	2.82
YHG48B21S	TM8V100C20MP12C	21.0	CF/CM/CU60D	1425	45.5	32.0	15.00	13.00	46.0	29.6	9.00	7.80	3.84	2.82
YHG48B21S	TM8V100C20MP12C	21.0	CF/CM50C	1425	48.0	36.0	16.00	13.00	45.5	27.8	8.50	7.30	3.52	2.54
YHG48B21S	TM8V100C20MP12C	21.0	CF/CM61D	1425	48.0	35.8	16.00	13.00	45.5	27.8	8.50	7.35	3.54	2.54
YHG48B21S	TM8V100C20MP12C	21.0	CF/CM64D	1375	47.0	32.2	16.00	13.00	47.0	27.2	9.00	7.45	4.00	2.70
YHG48B21S	TM8V120C20MP12C	21.0	CF/CM/CU60C	1425	45.5	32.0	15.00	13.00	46.0	29.8	9.00	7.75	3.82	2.82

**SYSTEM CAPACITY - With High Efficiency Motor Furnaces<sup>1</sup>**

UNIT MODEL	FURNACE		COIL MODEL <sup>2</sup>	COOLING					HEATING					
	MODEL	WIDTH		RATED CFM	NET MBH		SEER	EER	NET MBH		HSPF Region IV	HSPF Region V	COP	
					TOTAL	SENS.			47°F OD	17°F OD			47°F OD	17°F OD
YHG48B21S	TM8V120C20MP12C	21.0	CF/CM/CU60D	1425	45.5	32.0	15.00	13.00	46.0	29.6	9.00	7.80	3.84	2.82
YHG48B21S	TM8V120C20MP12C	21.0	CF/CM50C	1425	48.0	36.0	16.00	13.00	45.5	27.8	8.50	7.30	3.52	2.54
YHG48B21S	TM8V120C20MP12C	21.0	CF/CM61D	1425	48.0	35.8	16.00	13.00	45.5	27.8	8.50	7.35	3.54	2.54
YHG48B21S	TM8V120C20MP12C	21.0	CF/CM64D	1375	47.0	32.2	16.00	13.00	47.0	27.2	9.00	7.45	4.00	2.70
YHG48B21S	TM8X080C16MP11	21.0	CF/CM/CU60C	1350	45.5	31.8	15.00	13.00	46.0	29.8	9.00	7.80	3.74	2.76
YHG48B21S	TM8X080C16MP11	21.0	CF/CM/CU60D	1375	45.5	31.8	15.00	13.00	46.0	29.8	9.00	7.80	3.78	2.78
YHG48B21S	TM8X080C16MP11	21.0	CF/CM50C	1500	48.0	36.8	15.00	13.00	46.5	28.2	8.50	7.30	3.48	2.48
YHG48B21S	TM8X080C16MP11	21.0	CF/CM61D	1350	48.0	35.4	16.00	13.00	45.0	28.0	8.50	7.40	3.48	2.52
YHG48B21S	TM8X080C16MP11	21.0	CF/CM64D	1350	47.0	32.0	15.50	13.00	47.0	27.2	9.00	7.50	3.94	2.66
YHG48B21S	TM8X100C16MP11	21.0	CF/CM/CU60C	1350	45.5	31.8	15.00	13.00	46.0	29.8	9.00	7.80	3.74	2.76
YHG48B21S	TM8X100C16MP11	21.0	CF/CM/CU60D	1375	45.5	31.8	15.00	13.00	46.0	29.8	9.00	7.80	3.78	2.78
YHG48B21S	TM8X100C16MP11	21.0	CF/CM50C	1500	48.0	36.8	15.00	13.00	46.5	28.2	8.50	7.30	3.48	2.48
YHG48B21S	TM8X100C16MP11	21.0	CF/CM61D	1350	48.0	35.4	16.00	13.00	45.0	28.0	8.50	7.40	3.48	2.52
YHG48B21S	TM8X100C16MP11	21.0	CF/CM64D	1350	47.0	32.0	15.50	13.00	47.0	27.2	9.00	7.50	3.94	2.66
YHG48B21S	TM8X100C20MP11	21.0	CF/CM/CU60C	1375	45.5	31.8	15.50	13.00	46.0	29.6	9.00	7.80	3.80	2.80
YHG48B21S	TM8X100C20MP11	21.0	CF/CM/CU60D	1400	45.5	31.8	15.50	13.00	46.0	29.6	9.00	7.80	3.84	2.82
YHG48B21S	TM8X100C20MP11	21.0	CF/CM50C	1500	48.0	36.4	15.50	13.00	46.0	28.0	8.50	7.30	3.54	2.52
YHG48B21S	TM8X100C20MP11	21.0	CF/CM50C	1350	48.0	35.2	16.00	13.00	44.5	27.8	8.50	7.40	3.52	2.54
YHG48B21S	TM8X100C20MP11	21.0	CF/CM61D	1350	48.0	35.2	16.00	13.00	44.5	27.8	8.50	7.40	3.52	2.56
YHG48B21S	TM8X100C20MP11	21.0	CF/CM64D	1375	47.0	32.2	16.00	13.00	47.0	27.2	9.00	7.45	4.00	2.70
YHG48B21S	TM8X120C20MP11	21.0	CF/CM/CU60C	1375	45.5	31.8	15.50	13.00	46.0	29.6	9.00	7.80	3.80	2.80
YHG48B21S	TM8X120C20MP11	21.0	CF/CM/CU60D	1400	45.5	31.8	15.50	13.00	46.0	29.6	9.00	7.80	3.84	2.82
YHG48B21S	TM8X120C20MP11	21.0	CF/CM50C	1500	48.0	36.4	15.50	13.00	46.0	28.0	8.50	7.30	3.54	2.52
YHG48B21S	TM8X120C20MP11	21.0	CF/CM50C	1350	48.0	35.2	16.00	13.00	44.5	27.8	8.50	7.40	3.52	2.54
YHG48B21S	TM8X120C20MP11	21.0	CF/CM61D	1350	48.0	35.2	16.00	13.00	44.5	27.8	8.50	7.40	3.52	2.56
YHG48B21S	TM8X120C20MP11	21.0	CF/CM64D	1375	47.0	32.2	16.00	13.00	47.0	27.2	9.00	7.45	4.00	2.70
YHG48B21S	TM8Y080C16MP11	21.0	CF/CM/CU60C	1350	45.5	31.8	15.00	13.00	46.0	29.8	9.00	7.80	3.74	2.76
YHG48B21S	TM8Y080C16MP11	21.0	CF/CM/CU60D	1375	45.5	31.8	15.00	13.00	46.0	29.8	9.00	7.80	3.78	2.78
YHG48B21S	TM8Y080C16MP11	21.0	CF/CM50C	1500	48.0	36.8	15.00	13.00	46.5	28.2	8.50	7.30	3.48	2.48
YHG48B21S	TM8Y080C16MP11	21.0	CF/CM61D	1350	48.0	35.4	16.00	13.00	45.0	28.0	8.50	7.40	3.48	2.52
YHG48B21S	TM8Y080C16MP11	21.0	CF/CM64D	1350	47.0	32.0	15.50	13.00	47.0	27.2	9.00	7.50	3.94	2.66
YHG48B21S	TM8Y100C16MP11	21.0	CF/CM/CU60C	1350	45.5	31.8	15.00	13.00	46.0	29.8	9.00	7.80	3.74	2.76
YHG48B21S	TM8Y100C16MP11	21.0	CF/CM/CU60D	1375	45.5	31.8	15.00	13.00	46.0	29.8	9.00	7.80	3.78	2.78
YHG48B21S	TM8Y100C16MP11	21.0	CF/CM50C	1500	48.0	36.8	15.00	13.00	46.5	28.2	8.50	7.30	3.48	2.48
YHG48B21S	TM8Y100C16MP11	21.0	CF/CM61D	1350	48.0	35.4	16.00	13.00	45.0	28.0	8.50	7.40	3.48	2.52
YHG48B21S	TM8Y100C16MP11	21.0	CF/CM64D	1350	47.0	32.0	15.50	13.00	47.0	27.2	9.00	7.50	3.94	2.66
YHG48B21S	TM8Y100C20MP11	21.0	CF/CM/CU60C	1375	45.5	31.8	15.50	13.00	46.0	29.6	9.00	7.80	3.80	2.80

SYSTEM CAPACITY - With High Efficiency Motor Furnaces<sup>1</sup>

UNIT MODEL	FURNACE		COIL MODEL <sup>2</sup>	COOLING					HEATING					
	MODEL	WIDTH		RATED CFM	NET MBH		SEER	EER	NET MBH		HSPF Region IV	HSPF Region V	COP	
					TOTAL	SENS.			47°F OD	17°F OD			47°F OD	17°F OD
YHG48B21S	TM8Y100C20MP11	21.0	CF/CM/CU60D	1400	45.5	31.8	15.50	13.00	46.0	29.6	9.00	7.80	3.84	2.82
YHG48B21S	TM8Y100C20MP11	21.0	CF/CM50C	1500	48.0	36.4	15.50	13.00	46.0	28.0	8.50	7.30	3.54	2.52
YHG48B21S	TM8Y100C20MP11	21.0	CF/CM50C	1350	48.0	35.2	16.00	13.00	44.5	27.8	8.50	7.40	3.52	2.54
YHG48B21S	TM8Y100C20MP11	21.0	CF/CM61D	1350	48.0	35.2	16.00	13.00	44.5	27.8	8.50	7.40	3.52	2.56
YHG48B21S	TM8Y100C20MP11	21.0	CF/CM64D	1375	47.0	32.2	16.00	13.00	47.0	27.2	9.00	7.45	4.00	2.70
YHG48B21S	TM8Y120C20MP11	21.0	CF/CM/CU60C	1375	45.5	31.8	15.50	13.00	46.0	29.6	9.00	7.80	3.80	2.80
YHG48B21S	TM8Y120C20MP11	21.0	CF/CM/CU60D	1400	45.5	31.8	15.50	13.00	46.0	29.6	9.00	7.80	3.84	2.82
YHG48B21S	TM8Y120C20MP11	21.0	CF/CM50C	1500	48.0	36.4	15.50	13.00	46.0	28.0	8.50	7.30	3.54	2.52
YHG48B21S	TM8Y120C20MP11	21.0	CF/CM50C	1350	48.0	35.2	16.00	13.00	44.5	27.8	8.50	7.40	3.52	2.54
YHG48B21S	TM8Y120C20MP11	21.0	CF/CM61D	1350	48.0	35.2	16.00	13.00	44.5	27.8	8.50	7.40	3.52	2.56
YHG48B21S	TM8Y120C20MP11	21.0	CF/CM64D	1375	47.0	32.2	16.00	13.00	47.0	27.2	9.00	7.45	4.00	2.70
YHG48B21S	TM9E080C16MP11	21.0	CF/CM50C	1350	48.0	35.6	15.50	13.00	45.0	28.2	8.50	7.40	3.42	2.48
YHG48B21S	TM9E080C16MP11	21.0	CF/CM61D	1375	48.0	35.6	15.50	13.00	45.5	28.2	8.50	7.40	3.44	2.50
YHG48B21S	TM9E080C16MP11	21.0	CF/CM64D	1400	47.0	32.6	15.00	13.00	47.5	27.8	9.00	7.50	3.92	2.64
YHG48B21S	TM9E100C16MP11	21.0	CF/CM/CU60C	1400	45.0	31.8	15.00	12.75	46.5	30.0	9.00	7.80	3.74	2.76
YHG48B21S	TM9E100C16MP11	21.0	CF/CM/CU60D	1425	45.5	32.2	15.00	13.00	46.5	30.0	9.00	7.80	3.76	2.78
YHG48B21S	TM9E100C16MP11	21.0	CF/CM50C	1375	48.0	35.8	15.50	13.00	45.0	28.2	8.50	7.35	3.46	2.50
YHG48B21S	TM9E100C16MP11	21.0	CF/CM61D	1375	48.0	35.8	15.50	13.00	45.0	28.0	8.50	7.35	3.46	2.50
YHG48B21S	TM9E100C16MP11	21.0	CF/CM64D	1400	47.0	32.4	15.00	13.00	47.5	27.8	9.00	7.50	3.94	2.66
YHG48B21S	TM9E100C20MP11	21.0	CF/CM/CU60D	1350	45.5	31.8	15.00	13.00	46.0	29.6	9.00	7.85	3.76	2.78
YHG48B21S	TM9E100C20MP11	21.0	CF/CM50C	1500	48.0	36.8	15.00	13.00	46.0	28.2	8.50	7.35	3.50	2.50
YHG48B21S	TM9E100C20MP11	21.0	CF/CM61D	1525	48.0	36.8	15.00	13.00	46.5	28.0	8.50	7.30	3.52	2.50
YHG48B21S	TM9E100C20MP11	21.0	CF/CM64D	1550	47.0	33.6	15.00	13.00	48.0	29.0	9.00	7.50	4.02	2.74
YHG48B21S	TM9E120D20MP11	24.5	CF/CM/CU60D	1400	45.5	32.0	15.00	13.00	46.0	29.6	9.00	7.80	3.82	2.82
YHG48B21S	TM9E120D20MP11	24.5	CF/CM61D	1375	48.0	35.6	16.00	13.00	45.0	27.8	8.50	7.35	3.52	2.54
YHG48B21S	TM9E120D20MP11	24.5	CF/CM64D	1375	47.0	32.2	16.00	13.00	47.0	27.2	9.00	7.50	3.98	2.70
YHG48B21S	TM9V080C16MP12C	21.0	CF/CM/CU60D	1375	45.0	31.6	15.00	13.00	46.0	30.0	9.00	7.85	3.74	2.76
YHG48B21S	TM9V080C16MP12C	21.0	CF/CM50C	1375	48.0	35.8	15.50	13.00	45.5	28.2	8.50	7.40	3.44	2.48
YHG48B21S	TM9V080C16MP12C	21.0	CF/CM61D	1375	48.0	35.6	15.50	13.00	45.0	28.2	8.50	7.40	3.46	2.50
YHG48B21S	TM9V080C16MP12C	21.0	CF/CM64D	1375	47.0	32.4	15.00	13.00	47.5	27.6	9.00	7.50	3.92	2.64
YHG48B21S	TM9V100C16MP12C	21.0	CF/CM/CU60C	1425	45.5	32.2	15.00	13.00	46.5	30.0	9.00	7.85	3.80	2.78
YHG48B21S	TM9V100C16MP12C	21.0	CF/CM/CU60D	1425	45.5	32.0	15.00	13.00	46.0	29.8	9.00	7.80	3.82	2.80
YHG48B21S	TM9V100C16MP12C	21.0	CF/CM50C	1425	48.0	36.0	15.50	13.00	45.5	28.0	8.50	7.35	3.50	2.52
YHG48B21S	TM9V100C16MP12C	21.0	CF/CM61D	1425	48.0	36.0	15.50	13.00	45.5	28.0	8.50	7.35	3.50	2.52
YHG48B21S	TM9V100C16MP12C	21.0	CF/CM64D	1425	47.0	32.6	15.50	13.00	47.5	27.8	9.00	7.45	4.00	2.70
YHG48B21S	TM9V100C20MP12C	21.0	CF/CM/CU60C	1350	45.5	31.8	15.00	13.00	46.0	29.6	9.00	7.85	3.76	2.78
YHG48B21S	TM9V100C20MP12C	21.0	CF/CM/CU60D	1350	45.5	31.6	15.00	13.00	46.0	29.6	9.00	7.80	3.78	2.80
YHG48B21S	TM9V100C20MP12C	21.0	CF/CM50C	1350	48.0	35.6	16.00	13.00	45.0	28.0	8.50	7.40	3.48	2.52

**SYSTEM CAPACITY - With High Efficiency Motor Furnaces<sup>1</sup>**

UNIT MODEL	FURNACE		COIL MODEL <sup>2</sup>	COOLING					HEATING					
	MODEL	WIDTH		RATED CFM	NET MBH		SEER	EER	NET MBH		HSPF Region IV	HSPF Region V	COP	
					TOTAL	SENS.			47°F OD	17°F OD			47°F OD	17°F OD
YHG48B21S	TM9V100C20MP12C	21.0	CF/CM61D	1350	48.0	35.4	16.00	13.00	45.0	27.8	8.50	7.40	3.48	2.54
YHG48B21S	TM9V100C20MP12C	21.0	CF/CM64D	1475	47.0	33.0	15.00	13.00	47.5	28.2	9.00	7.50	4.00	2.72
YHG48B21S	TM9V120D20MP12C	24.5	CF/CM/CU60D	1400	45.5	31.8	15.50	13.00	46.0	29.6	9.00	7.80	3.84	2.82
YHG48B21S	TM9V120D20MP12C	24.5	CF/CM61D	1400	48.0	35.6	16.00	13.00	45.0	27.8	8.50	7.35	3.54	2.56
YHG48B21S	TM9V120D20MP12C	24.5	CF/CM64D	1400	47.0	32.4	16.00	13.00	47.0	27.4	9.00	7.45	4.02	2.72
YHG48B21S	TM9Y080C16MP11	21.0	CF/CM50C	1350	48.0	35.6	15.50	13.00	45.0	28.2	8.50	7.40	3.42	2.48
YHG48B21S	TM9Y080C16MP11	21.0	CF/CM61D	1375	48.0	35.6	15.50	13.00	45.5	28.2	8.50	7.40	3.44	2.50
YHG48B21S	TM9Y080C16MP11	21.0	CF/CM64D	1400	47.0	32.6	15.00	13.00	47.5	27.8	9.00	7.50	3.92	2.64
YHG48B21S	TM9Y100C16MP11	21.0	CF/CM/CU60C	1400	45.0	31.8	15.00	12.75	46.5	30.0	9.00	7.80	3.74	2.76
YHG48B21S	TM9Y100C16MP11	21.0	CF/CM/CU60D	1425	45.5	32.2	15.00	13.00	46.5	30.0	9.00	7.80	3.76	2.78
YHG48B21S	TM9Y100C16MP11	21.0	CF/CM50C	1375	48.0	35.8	15.50	13.00	45.0	28.2	8.50	7.35	3.46	2.50
YHG48B21S	TM9Y100C16MP11	21.0	CF/CM61D	1375	48.0	35.8	15.50	13.00	45.0	28.0	8.50	7.35	3.46	2.50
YHG48B21S	TM9Y100C16MP11	21.0	CF/CM64D	1400	47.0	32.4	15.00	13.00	47.5	27.8	9.00	7.50	3.94	2.66
YHG48B21S	TM9Y100C20MP11	21.0	CF/CM/CU60D	1350	45.5	31.8	15.00	13.00	46.0	29.6	9.00	7.85	3.76	2.78
YHG48B21S	TM9Y100C20MP11	21.0	CF/CM50C	1500	48.0	36.8	15.00	13.00	46.0	28.2	8.50	7.35	3.50	2.50
YHG48B21S	TM9Y100C20MP11	21.0	CF/CM61D	1525	48.0	36.8	15.00	13.00	46.5	28.0	8.50	7.30	3.52	2.50
YHG48B21S	TM9Y100C20MP11	21.0	CF/CM64D	1550	47.0	33.6	15.00	13.00	48.0	29.0	9.00	7.50	4.02	2.74
YHG48B21S	TM9Y120D20MP11	24.5	CF/CM/CU60D	1400	45.5	32.0	15.00	13.00	46.0	29.6	9.00	7.80	3.82	2.82
YHG48B21S	TM9Y120D20MP11	24.5	CF/CM61D	1375	48.0	35.6	16.00	13.00	45.0	27.8	8.50	7.35	3.52	2.54
YHG48B21S	TM9Y120D20MP11	24.5	CF/CM64D	1375	47.0	32.2	16.00	13.00	47.0	27.2	9.00	7.50	3.98	2.70
YHG48B21S	TMLV080C16MP12C	21.0	CF/CM/CU60C	1375	45.5	31.8	15.00	13.00	46.0	29.8	9.00	7.85	3.76	2.78
YHG48B21S	TMLV080C16MP12C	21.0	CF/CM/CU60D	1375	45.5	31.8	15.00	13.00	46.0	29.8	9.00	7.80	3.78	2.78
YHG48B21S	TMLV080C16MP12C	21.0	CF/CM50C	1425	48.0	36.0	15.50	13.00	45.5	28.0	8.50	7.35	3.48	2.50
YHG48B21S	TMLV080C16MP12C	21.0	CF/CM61D	1375	48.0	35.6	16.00	13.00	45.0	28.0	8.50	7.35	3.48	2.52
YHG48B21S	TMLV080C16MP12C	21.0	CF/CM64D	1425	47.0	32.6	15.00	13.00	47.5	27.8	9.00	7.50	3.98	2.70
YHG48B21S	TMLV100C16MP12C	21.0	CF/CM/CU60C	1375	45.5	31.8	15.00	13.00	46.0	29.8	9.00	7.85	3.76	2.78
YHG48B21S	TMLV100C16MP12C	21.0	CF/CM/CU60D	1375	45.5	31.8	15.00	13.00	46.0	29.8	9.00	7.80	3.78	2.78
YHG48B21S	TMLV100C16MP12C	21.0	CF/CM50C	1425	48.0	36.0	15.50	13.00	45.5	28.0	8.50	7.35	3.48	2.50
YHG48B21S	TMLV100C16MP12C	21.0	CF/CM61D	1375	48.0	35.6	16.00	13.00	45.0	28.0	8.50	7.35	3.48	2.52
YHG48B21S	TMLV100C16MP12C	21.0	CF/CM64D	1425	47.0	32.6	15.00	13.00	47.5	27.8	9.00	7.50	3.98	2.70
YHG48B21S	TMLV100C20MP12C	21.0	CF/CM/CU60C	1425	45.5	32.0	15.00	13.00	46.0	29.8	9.00	7.75	3.82	2.82
YHG48B21S	TMLV100C20MP12C	21.0	CF/CM/CU60D	1425	45.5	32.0	15.00	13.00	46.0	29.6	9.00	7.80	3.84	2.82
YHG48B21S	TMLV100C20MP12C	21.0	CF/CM50C	1425	48.0	36.0	16.00	13.00	45.5	27.8	8.50	7.30	3.52	2.54
YHG48B21S	TMLV100C20MP12C	21.0	CF/CM61D	1425	48.0	35.8	16.00	13.00	45.5	27.8	8.50	7.35	3.54	2.54
YHG48B21S	TMLV100C20MP12C	21.0	CF/CM64D	1375	47.0	32.2	16.00	13.00	47.0	27.2	9.00	7.45	4.00	2.70
YHG48B21S	TMLV120C20MP12C	21.0	CF/CM/CU60C	1425	45.5	32.0	15.00	13.00	46.0	29.8	9.00	7.75	3.82	2.82
YHG48B21S	TMLV120C20MP12C	21.0	CF/CM/CU60D	1425	45.5	32.0	15.00	13.00	46.0	29.6	9.00	7.80	3.84	2.82

SYSTEM CAPACITY - With High Efficiency Motor Furnaces<sup>1</sup>

UNIT MODEL	FURNACE		COIL MODEL <sup>2</sup>	COOLING					HEATING					
	MODEL	WIDTH		RATED CFM	NET MBH		SEER	EER	NET MBH		HSPF Region IV	HSPF Region V	COP	
					TOTAL	SENS.			47°F OD	17°F OD			47°F OD	17°F OD
YHG48B21S	TMLV120C20MP12C	21.0	CF/CM50C	1425	48.0	36.0	16.00	13.00	45.5	27.8	8.50	7.30	3.52	2.54
YHG48B21S	TMLV120C20MP12C	21.0	CF/CM61D	1425	48.0	35.8	16.00	13.00	45.5	27.8	8.50	7.35	3.54	2.54
YHG48B21S	TMLV120C20MP12C	21.0	CF/CM64D	1375	47.0	32.2	16.00	13.00	47.0	27.2	9.00	7.45	4.00	2.70
YHG48B21S	TMLX080C16MP11	21.0	CF/CM/CU60C	1350	45.5	31.8	15.00	13.00	46.0	29.8	9.00	7.80	3.74	2.76
YHG48B21S	TMLX080C16MP11	21.0	CF/CM/CU60D	1375	45.5	31.8	15.00	13.00	46.0	29.8	9.00	7.80	3.78	2.78
YHG48B21S	TMLX080C16MP11	21.0	CF/CM50C	1500	48.0	36.8	15.00	13.00	46.5	28.2	8.50	7.30	3.48	2.48
YHG48B21S	TMLX080C16MP11	21.0	CF/CM61D	1350	48.0	35.4	16.00	13.00	45.0	28.0	8.50	7.40	3.48	2.52
YHG48B21S	TMLX080C16MP11	21.0	CF/CM64D	1350	47.0	32.0	15.50	13.00	47.0	27.2	9.00	7.50	3.94	2.66
YHG48B21S	TMLX100C16MP11	21.0	CF/CM/CU60C	1350	45.5	31.8	15.00	13.00	46.0	29.8	9.00	7.80	3.74	2.76
YHG48B21S	TMLX100C16MP11	21.0	CF/CM/CU60D	1375	45.5	31.8	15.00	13.00	46.0	29.8	9.00	7.80	3.78	2.78
YHG48B21S	TMLX100C16MP11	21.0	CF/CM50C	1500	48.0	36.8	15.00	13.00	46.5	28.2	8.50	7.30	3.48	2.48
YHG48B21S	TMLX100C16MP11	21.0	CF/CM61D	1350	48.0	35.4	16.00	13.00	45.0	28.0	8.50	7.40	3.48	2.52
YHG48B21S	TMLX100C16MP11	21.0	CF/CM64D	1350	47.0	32.0	15.50	13.00	47.0	27.2	9.00	7.50	3.94	2.66
YHG48B21S	TMLX100C20MP11	21.0	CF/CM/CU60C	1375	45.5	31.8	15.50	13.00	46.0	29.6	9.00	7.80	3.80	2.80
YHG48B21S	TMLX100C20MP11	21.0	CF/CM/CU60D	1400	45.5	31.8	15.50	13.00	46.0	29.6	9.00	7.80	3.84	2.82
YHG48B21S	TMLX100C20MP11	21.0	CF/CM50C	1350	48.0	35.2	16.00	13.00	44.5	27.8	8.50	7.40	3.52	2.54
YHG48B21S	TMLX100C20MP11	21.0	CF/CM50C	1500	48.0	36.4	15.50	13.00	46.0	28.0	8.50	7.30	3.54	2.52
YHG48B21S	TMLX100C20MP11	21.0	CF/CM61D	1350	48.0	35.2	16.00	13.00	44.5	27.8	8.50	7.40	3.52	2.56
YHG48B21S	TMLX100C20MP11	21.0	CF/CM64D	1375	47.0	32.2	16.00	13.00	47.0	27.2	9.00	7.45	4.00	2.70
YHG48B21S	TMLX120C20MP11	21.0	CF/CM/CU60C	1375	45.5	31.8	15.50	13.00	46.0	29.6	9.00	7.80	3.80	2.80
YHG48B21S	TMLX120C20MP11	21.0	CF/CM/CU60D	1400	45.5	31.8	15.50	13.00	46.0	29.6	9.00	7.80	3.84	2.82
YHG48B21S	TMLX120C20MP11	21.0	CF/CM50C	1500	48.0	36.4	15.50	13.00	46.0	28.0	8.50	7.30	3.54	2.52
YHG48B21S	TMLX120C20MP11	21.0	CF/CM50C	1350	48.0	35.2	16.00	13.00	44.5	27.8	8.50	7.40	3.52	2.54
YHG48B21S	TMLX120C20MP11	21.0	CF/CM61D	1350	48.0	35.2	16.00	13.00	44.5	27.8	8.50	7.40	3.52	2.56
YHG48B21S	TMLX120C20MP11	21.0	CF/CM64D	1375	47.0	32.2	16.00	13.00	47.0	27.2	9.00	7.45	4.00	2.70
YHG48B21S	TP9C080C16MP13C	21.0	CF/CM/CU60D	1375	45.0	31.6	15.00	13.00	46.0	30.0	9.00	7.85	3.74	2.76
YHG48B21S	TP9C080C16MP13C	21.0	CF/CM50C	1375	48.0	35.8	15.50	13.00	45.5	28.2	8.50	7.40	3.44	2.48
YHG48B21S	TP9C080C16MP13C	21.0	CF/CM61D	1375	48.0	35.6	15.50	13.00	45.0	28.2	8.50	7.40	3.46	2.50
YHG48B21S	TP9C080C16MP13C	21.0	CF/CM64D	1375	47.0	32.4	15.00	13.00	47.5	27.6	9.00	7.50	3.92	2.64
YHG48B21S	TP9C100C16MP13C	21.0	CF/CM/CU60C	1425	45.5	32.2	15.00	13.00	46.5	30.0	9.00	7.85	3.80	2.78
YHG48B21S	TP9C100C16MP13C	21.0	CF/CM/CU60D	1425	45.5	32.0	15.00	13.00	46.0	29.8	9.00	7.80	3.82	2.80
YHG48B21S	TP9C100C16MP13C	21.0	CF/CM50C	1425	48.0	36.0	15.50	13.00	45.5	28.0	8.50	7.35	3.50	2.52
YHG48B21S	TP9C100C16MP13C	21.0	CF/CM61D	1425	48.0	36.0	15.50	13.00	45.5	28.0	8.50	7.35	3.50	2.52
YHG48B21S	TP9C100C16MP13C	21.0	CF/CM64D	1425	47.0	32.6	15.50	13.00	47.5	27.8	9.00	7.45	4.00	2.70
YHG48B21S	TP9C100C20MP13C	21.0	CF/CM/CU60C	1350	45.5	31.8	15.00	13.00	46.0	29.6	9.00	7.85	3.76	2.78
YHG48B21S	TP9C100C20MP13C	21.0	CF/CM/CU60D	1350	45.5	31.6	15.00	13.00	46.0	29.6	9.00	7.80	3.78	2.80
YHG48B21S	TP9C100C20MP13C	21.0	CF/CM50C	1350	48.0	35.6	16.00	13.00	45.0	28.0	8.50	7.40	3.48	2.52

**SYSTEM CAPACITY - With High Efficiency Motor Furnaces<sup>1</sup>**

UNIT MODEL	FURNACE		COIL MODEL <sup>2</sup>	COOLING					HEATING					
	MODEL	WIDTH		RATED CFM	NET MBH		SEER	EER	NET MBH		HSPF Region IV	HSPF Region V	COP	
					TOTAL	SENS.			47°F OD	17°F OD			47°F OD	17°F OD
YHG48B21S	TP9C100C20MP13C	21.0	CF/CM61D	1350	48.0	35.4	16.00	13.00	45.0	27.8	8.50	7.40	3.48	2.54
YHG48B21S	TP9C100C20MP13C	21.0	CF/CM64D	1475	47.0	33.0	15.00	13.00	47.5	28.2	9.00	7.50	4.00	2.72
YHG48B21S	TP9C120D20MP13C	24.5	CF/CM/CU60D	1400	45.5	31.8	15.50	13.00	46.0	29.6	9.00	7.80	3.84	2.82
YHG48B21S	TP9C120D20MP13C	24.5	CF/CM61D	1400	48.0	35.6	16.00	13.00	45.0	27.8	8.50	7.35	3.54	2.56
YHG48B21S	TP9C120D20MP13C	24.5	CF/CM64D	1400	47.0	32.4	16.00	13.00	47.0	27.4	9.00	7.45	4.02	2.72
YHG48B21S	TPLC080C16MP13C	21.0	CF/CM/CU60C	1375	45.5	31.8	15.00	13.00	46.0	29.8	9.00	7.85	3.76	2.78
YHG48B21S	TPLC080C16MP13C	21.0	CF/CM/CU60D	1375	45.5	31.8	15.00	13.00	46.0	29.8	9.00	7.80	3.78	2.78
YHG48B21S	TPLC080C16MP13C	21.0	CF/CM50C	1425	48.0	36.0	15.50	13.00	45.5	28.0	8.50	7.35	3.48	2.50
YHG48B21S	TPLC080C16MP13C	21.0	CF/CM61D	1375	48.0	35.6	16.00	13.00	45.0	28.0	8.50	7.35	3.48	2.52
YHG48B21S	TPLC080C16MP13C	21.0	CF/CM64D	1425	47.0	32.6	15.00	13.00	47.5	27.8	9.00	7.50	3.98	2.70
YHG48B21S	TPLC100C16MP13C	21.0	CF/CM/CU60C	1375	45.5	31.8	15.00	13.00	46.0	29.8	9.00	7.85	3.76	2.78
YHG48B21S	TPLC100C16MP13C	21.0	CF/CM/CU60D	1375	45.5	31.8	15.00	13.00	46.0	29.8	9.00	7.80	3.78	2.78
YHG48B21S	TPLC100C16MP13C	21.0	CF/CM50C	1425	48.0	36.0	15.50	13.00	45.5	28.0	8.50	7.35	3.48	2.50
YHG48B21S	TPLC100C16MP13C	21.0	CF/CM61D	1375	48.0	35.6	16.00	13.00	45.0	28.0	8.50	7.35	3.48	2.52
YHG48B21S	TPLC100C16MP13C	21.0	CF/CM64D	1425	47.0	32.6	15.00	13.00	47.5	27.8	9.00	7.50	3.98	2.70
YHG48B21S	TPLC100C20MP13C	21.0	CF/CM/CU60C	1425	45.5	32.0	15.00	13.00	46.0	29.8	9.00	7.75	3.82	2.82
YHG48B21S	TPLC100C20MP13C	21.0	CF/CM/CU60D	1425	45.5	32.0	15.00	13.00	46.0	29.6	9.00	7.80	3.84	2.82
YHG48B21S	TPLC100C20MP13C	21.0	CF/CM50C	1425	48.0	36.0	16.00	13.00	45.5	27.8	8.50	7.30	3.52	2.54
YHG48B21S	TPLC100C20MP13C	21.0	CF/CM61D	1425	48.0	35.8	16.00	13.00	45.5	27.8	8.50	7.35	3.54	2.54
YHG48B21S	TPLC100C20MP13C	21.0	CF/CM64D	1375	47.0	32.2	16.00	13.00	47.0	27.2	9.00	7.45	4.00	2.70
YHG48B21S	TPLC120C20MP13C	21.0	CF/CM/CU60C	1425	45.5	32.0	15.00	13.00	46.0	29.8	9.00	7.75	3.82	2.82
YHG48B21S	TPLC120C20MP13C	21.0	CF/CM/CU60D	1425	45.5	32.0	15.00	13.00	46.0	29.6	9.00	7.80	3.84	2.82
YHG48B21S	TPLC120C20MP13C	21.0	CF/CM50C	1425	48.0	36.0	16.00	13.00	45.5	27.8	8.50	7.30	3.52	2.54
YHG48B21S	TPLC120C20MP13C	21.0	CF/CM61D	1425	48.0	35.8	16.00	13.00	45.5	27.8	8.50	7.35	3.54	2.54
YHG48B21S	TPLC120C20MP13C	21.0	CF/CM64D	1375	47.0	32.2	16.00	13.00	47.0	27.2	9.00	7.45	4.00	2.70
YHG48B21S	YP9C080C16MP13C	21.0	CF/CM/CU60D	1375	45.0	31.6	15.00	13.00	46.0	30.0	9.00	7.85	3.74	2.76
YHG48B21S	YP9C080C16MP13C	21.0	CF/CM50C	1375	48.0	35.8	15.50	13.00	45.5	28.2	8.50	7.40	3.44	2.48
YHG48B21S	YP9C080C16MP13C	21.0	CF/CM61D	1375	48.0	35.6	15.50	13.00	45.0	28.2	8.50	7.40	3.46	2.50
YHG48B21S	YP9C080C16MP13C	21.0	CF/CM64D	1375	47.0	32.4	15.00	13.00	47.5	27.6	9.00	7.50	3.92	2.64
YHG48B21S	YP9C100C16MP13C	21.0	CF/CM/CU60C	1425	45.5	32.2	15.00	13.00	46.5	30.0	9.00	7.85	3.80	2.78
YHG48B21S	YP9C100C16MP13C	21.0	CF/CM/CU60D	1425	45.5	32.0	15.00	13.00	46.0	29.8	9.00	7.80	3.82	2.80
YHG48B21S	YP9C100C16MP13C	21.0	CF/CM50C	1425	48.0	36.0	15.50	13.00	45.5	28.0	8.50	7.35	3.50	2.52
YHG48B21S	YP9C100C16MP13C	21.0	CF/CM61D	1425	48.0	36.0	15.50	13.00	45.5	28.0	8.50	7.35	3.50	2.52
YHG48B21S	YP9C100C16MP13C	21.0	CF/CM64D	1425	47.0	32.6	15.50	13.00	47.5	27.8	9.00	7.45	4.00	2.70
YHG48B21S	YP9C100C20MP13C	21.0	CF/CM/CU60C	1350	45.5	31.8	15.00	13.00	46.0	29.6	9.00	7.85	3.76	2.78
YHG48B21S	YP9C100C20MP13C	21.0	CF/CM/CU60D	1350	45.5	31.6	15.00	13.00	46.0	29.6	9.00	7.80	3.78	2.80
YHG48B21S	YP9C100C20MP13C	21.0	CF/CM50C	1350	48.0	35.6	16.00	13.00	45.0	28.0	8.50	7.40	3.48	2.52

SYSTEM CAPACITY - With High Efficiency Motor Furnaces<sup>1</sup>

UNIT MODEL	FURNACE		COIL MODEL <sup>2</sup>	COOLING					HEATING					
	MODEL	WIDTH		RATED CFM	NET MBH		SEER	EER	NET MBH		HSPF Region IV	HSPF Region V	COP	
					TOTAL	SENS.			47°F OD	17°F OD			47°F OD	17°F OD
YHG48B21S	YP9C100C20MP13C	21.0	CF/CM61D	1350	48.0	35.4	16.00	13.00	45.0	27.8	8.50	7.40	3.48	2.54
YHG48B21S	YP9C100C20MP13C	21.0	CF/CM64D	1475	47.0	33.0	15.00	13.00	47.5	28.2	9.00	7.50	4.00	2.72
YHG48B21S	YP9C120D20MP13C	24.5	CF/CM/CU60D	1400	45.5	31.8	15.50	13.00	46.0	29.6	9.00	7.80	3.84	2.82
YHG48B21S	YP9C120D20MP13C	24.5	CF/CM61D	1400	48.0	35.6	16.00	13.00	45.0	27.8	8.50	7.35	3.54	2.56
YHG48B21S	YP9C120D20MP13C	24.5	CF/CM64D	1400	47.0	32.4	16.00	13.00	47.0	27.4	9.00	7.45	4.02	2.72
YHG48B21S	YPLC080C16MP13C	21.0	CF/CM/CU60C	1375	45.5	31.8	15.00	13.00	46.0	29.8	9.00	7.85	3.76	2.78
YHG48B21S	YPLC080C16MP13C	21.0	CF/CM/CU60D	1375	45.5	31.8	15.00	13.00	46.0	29.8	9.00	7.80	3.78	2.78
YHG48B21S	YPLC080C16MP13C	21.0	CF/CM50C	1425	48.0	36.0	15.50	13.00	45.5	28.0	8.50	7.35	3.48	2.50
YHG48B21S	YPLC080C16MP13C	21.0	CF/CM61D	1375	48.0	35.6	16.00	13.00	45.0	28.0	8.50	7.35	3.48	2.52
YHG48B21S	YPLC080C16MP13C	21.0	CF/CM64D	1425	47.0	32.6	15.00	13.00	47.5	27.8	9.00	7.50	3.98	2.70
YHG48B21S	YPLC100C16MP13C	21.0	CF/CM/CU60C	1375	45.5	31.8	15.00	13.00	46.0	29.8	9.00	7.85	3.76	2.78
YHG48B21S	YPLC100C16MP13C	21.0	CF/CM/CU60D	1375	45.5	31.8	15.00	13.00	46.0	29.8	9.00	7.80	3.78	2.78
YHG48B21S	YPLC100C16MP13C	21.0	CF/CM50C	1425	48.0	36.0	15.50	13.00	45.5	28.0	8.50	7.35	3.48	2.50
YHG48B21S	YPLC100C16MP13C	21.0	CF/CM61D	1375	48.0	35.6	16.00	13.00	45.0	28.0	8.50	7.35	3.48	2.52
YHG48B21S	YPLC100C16MP13C	21.0	CF/CM64D	1425	47.0	32.6	15.00	13.00	47.5	27.8	9.00	7.50	3.98	2.70
YHG48B21S	YPLC100C20MP13C	21.0	CF/CM/CU60C	1425	45.5	32.0	15.00	13.00	46.0	29.8	9.00	7.75	3.82	2.82
YHG48B21S	YPLC100C20MP13C	21.0	CF/CM/CU60D	1425	45.5	32.0	15.00	13.00	46.0	29.6	9.00	7.80	3.84	2.82
YHG48B21S	YPLC100C20MP13C	21.0	CF/CM50C	1425	48.0	36.0	16.00	13.00	45.5	27.8	8.50	7.30	3.52	2.54
YHG48B21S	YPLC100C20MP13C	21.0	CF/CM61D	1425	48.0	35.8	16.00	13.00	45.5	27.8	8.50	7.35	3.54	2.54
YHG48B21S	YPLC100C20MP13C	21.0	CF/CM64D	1375	47.0	32.2	16.00	13.00	47.0	27.2	9.00	7.45	4.00	2.70
YHG48B21S	YPLC120C20MP13C	21.0	CF/CM/CU60C	1425	45.5	32.0	15.00	13.00	46.0	29.8	9.00	7.75	3.82	2.82
YHG48B21S	YPLC120C20MP13C	21.0	CF/CM/CU60D	1425	45.5	32.0	15.00	13.00	46.0	29.6	9.00	7.80	3.84	2.82
YHG48B21S	YPLC120C20MP13C	21.0	CF/CM50C	1425	48.0	36.0	16.00	13.00	45.5	27.8	8.50	7.30	3.52	2.54
YHG48B21S	YPLC120C20MP13C	21.0	CF/CM61D	1425	48.0	35.8	16.00	13.00	45.5	27.8	8.50	7.35	3.54	2.54
YHG48B21S	YPLC120C20MP13C	21.0	CF/CM64D	1375	47.0	32.2	16.00	13.00	47.0	27.2	9.00	7.45	4.00	2.70
YHG60B21S	TM8V100C20MP12C	21.0	CF/CM64D	1625	57.5	39.5	15.00	12.50	58.0	37.0	9.00	7.40	3.78	2.60
YHG60B21S	TM8V120C20MP12C	21.0	CF/CM64D	1625	57.5	39.5	15.00	12.50	58.0	37.0	9.00	7.40	3.78	2.60
YHG60B21S	TM8X100C20MP11	21.0	CF/CM64D	1550	57.5	39.0	15.00	12.50	58.0	36.2	9.00	7.40	3.74	2.56
YHG60B21S	TM8X120C20MP11	21.0	CF/CM64D	1550	57.5	39.0	15.00	12.50	58.0	36.2	9.00	7.40	3.74	2.56
YHG60B21S	TM8Y100C20MP11	21.0	CF/CM64D	1550	57.5	39.0	15.00	12.50	58.0	36.2	9.00	7.40	3.74	2.56
YHG60B21S	TM8Y120C20MP11	21.0	CF/CM64D	1550	57.5	39.0	15.00	12.50	58.0	36.2	9.00	7.40	3.74	2.56
YHG60B21S	TM9E100C20MP11	21.0	CF/CM64D	1550	57.0	38.5	15.00	12.50	58.0	36.4	9.00	7.45	3.70	2.54
YHG60B21S	TM9E120D20MP11	24.5	CF/CM64D	1575	57.5	39.0	15.00	12.50	58.0	36.6	9.00	7.45	3.74	2.58
YHG60B21S	TM9V100C20MP12C	21.0	CF/CM64D	1600	57.5	39.5	15.00	12.50	58.0	37.0	9.00	7.45	3.72	2.58
YHG60B21S	TM9V120D20MP12C	24.5	CF/CM64D	1650	57.5	40.0	15.00	12.50	58.0	37.2	9.00	7.40	3.78	2.62
YHG60B21S	TM9Y100C20MP11	21.0	CF/CM64D	1550	57.0	38.5	15.00	12.50	58.0	36.4	9.00	7.45	3.70	2.54
YHG60B21S	TM9Y120D20MP11	24.5	CF/CM64D	1575	57.5	39.0	15.00	12.50	58.0	36.6	9.00	7.45	3.74	2.58

**SYSTEM CAPACITY - With High Efficiency Motor Furnaces<sup>1</sup>**

UNIT MODEL	FURNACE		COIL MODEL <sup>2</sup>	COOLING					HEATING					
	MODEL	WIDTH		RATED CFM	NET MBH		SEER	EER	NET MBH		HSPF Region IV	HSPF Region V	COP	
					TOTAL	SENS.			47°F OD	17°F OD			47°F OD	17°F OD
YHG60B21S	TMLV100C20MP12C	21.0	CF/CM64D	1625	57.5	39.5	15.00	12.50	58.0	37.0	9.00	7.40	3.78	2.60
YHG60B21S	TMLV120C20MP12C	21.0	CF/CM64D	1625	57.5	39.5	15.00	12.50	58.0	37.0	9.00	7.40	3.78	2.60
YHG60B21S	TMLX100C20MP11	21.0	CF/CM64D	1550	57.5	39.0	15.00	12.50	58.0	36.2	9.00	7.40	3.74	2.56
YHG60B21S	TMLX120C20MP11	21.0	CF/CM64D	1550	57.5	39.0	15.00	12.50	58.0	36.2	9.00	7.40	3.74	2.56
YHG60B21S	TP9C100C20MP13C	21.0	CF/CM64D	1600	57.5	39.5	15.00	12.50	58.0	37.0	9.00	7.45	3.72	2.58
YHG60B21S	TP9C120D20MP13C	24.5	CF/CM64D	1650	57.5	40.0	15.00	12.50	58.0	37.2	9.00	7.40	3.78	2.62
YHG60B21S	TPLC100C20MP13C	21.0	CF/CM64D	1625	57.5	39.5	15.00	12.50	58.0	37.0	9.00	7.40	3.78	2.60
YHG60B21S	TPLC120C20MP13C	21.0	CF/CM64D	1625	57.5	39.5	15.00	12.50	58.0	37.0	9.00	7.40	3.78	2.60
YHG60B21S	YP9C100C20MP13C	21.0	CF/CM64D	1600	57.5	39.5	15.00	12.50	58.0	37.0	9.00	7.45	3.72	2.58
YHG60B21S	YP9C120D20MP13C	24.5	CF/CM64D	1650	57.5	40.0	15.00	12.50	58.0	37.2	9.00	7.40	3.78	2.62
YHG60B21S	YPLC100C20MP13C	21.0	CF/CM64D	1625	57.5	39.5	15.00	12.50	58.0	37.0	9.00	7.40	3.78	2.60
YHG60B21S	YPLC120C20MP13C	21.0	CF/CM64D	1625	57.5	39.5	15.00	12.50	58.0	37.0	9.00	7.40	3.78	2.60

For rated condition information, see the footnotes below the System Capacity - Single Piece and Modular Air Handlers table.

- High Efficiency Motor Furnaces have B.O.D. (Blower on Delay) standard.
- CM coils available with a factory installed horizontal drain pan. See price pages for specific model number.  
PSC furnaces, such as the TG8S, TGLS, and TG9S, use Coil Only Ratings.



## APPLICATION & ACCESSORIES

Refer to Price Manual for specific model numbers.

Standard Application Limits*		
Maximum Lineset Equivalent Length		80 Ft
Outdoor Ambient Temperature Limits		
Cooling Operation	Maximum DB	125°F
	Minimum DB	55°F
Heating Operation	Maximum DB	75°F
	Minimum DB	-20°F

\* For applications such as Low Ambient, reduced linesets, and/or long linesets, see the accessories listed below.

**Standard Low Ambient Control Kit S1-2LA06700424:** Allows the use of air conditioning at low outdoor ambient temperatures down to +20°F (-7°C). For use with all R-410A single stage AC & HP models.

**Advanced Low Ambient Control Kit S1-2LA04701024:** Contains the necessary components and controls to allow cooling operation down to -20°F (-29°C). For use with some R-410A single stage AC & HP models. This accessory can only be applied to models that contain a PSC outdoor fan motor.

**High Ambient Outdoor Fan Motor S1-FHM\*\*\*\*HT:** Class F 70°C motor to allow cooling operation up to 160°F air entering the outdoor coil. For use with all R-410A single stage AC & HP models containing R-410A refrigerant only.

**Start Assist Kit S1-2SA067\*\*\*\*\*:** Provides increased compressor starting torque for areas with low supply voltage. Required for units with recip compressors when applied with indoor TXV, and for all units when applied with long linesets or low ambient kits. May be factory installed on select AC & HP units (see Physical & Electrical Table). See Price Pages or Source1 SmartSearch for the correct kit for each application.

**Support Feet S1-HPRKIT-\*\*:** Kit of 5 support feet to raise unit above snow or landscaping. Available in heights of 3", 6" or 12".

**Compressor Crankcase Heater Kit (S1-025\*\*\*\*\*):** A wrap-around electrical resistance heater that warms the compressor sump, reducing the chance of liquid slugging on startup. Required on all long lineset and low ambient applications. See Price Pages or Source1 SmartSearch for the correct part for each application.

## SOUND POWER RATINGS - COOLING

Cooling Model Number	Octave Band Sound Power Level (db re. 1-pW)									
	63	125	250	500	1000	2000	4000	8000	dBA	SQI
YHG18B21S	64.0	63.0	58.4	64.2	66.7	59.9	56.6	53.6	69	19.1
YHG24B21S	72.6	69.2	66.6	69.4	66.3	65.3	59.9	55.2	72	19.1
YHG30B21S	64.8	67.1	60.9	69.4	66.3	65.7	54.1	56.0	71	19.1
YHG36B21S	66.6	66.7	61.4	70.6	69.4	62.1	54.0	49.0	72	19.1
YHG42B21S	64.9	65.1	60.6	68.4	65.3	64.3	57.5	54.8	71	19.0
YHG48B21S	67.3	73.4	65.8	69.6	68.1	62.1	56.5	51.8	72	19.1
YHG60B21S	67.4	70.2	65.3	68.8	68.9	64.3	59.9	55.1	72	19.0

Rated in accordance with ARI Standard 270.

## Outdoor Thermostat for Electric Heat Staging

**S1-37327982001:** Prevents the operation of electric heat above the set ambient temperature. Can provide multi-stage heat control based on outdoor temperature.

**Anchor Bracket Kit S1-1HK0401:** Firmly anchors unit to pad or support structure. When properly installed, approved for ground-mounted or roof-mounted applications.

**Indoor TXV Kit S1-1TVM\*\*\*:** Thermal expansion valves precisely meter refrigerant for optimum performance over a wide range of conditions. See System Charge Table, Price Pages, or Source1 Smart Search for TXV part number for each AC & HP model.

**Wall Mount Kit (S1-ACB-\*\*):** Includes two brackets to allow outdoor unit to be securely mounted to a vertical wall. Mounting hardware is field sourced according to the specific application.

**Winter Cover Kit S1-CCVRE\*\*\*:** Custom fit winter cover protects outdoor unit from debris during the off-season. Must be removed prior to unit operation. See Price Pages or Source1 SmartSearch for the correct cover for each application.

**Cold Weather Charging Tent S1-CHGTENT01:** Provides warm environment to accurately service AC & HP systems in ambient conditions 55°F (13°C) or colder.

**Touch-up Paint S1-5130153\*\*\*\*:** Color matched aerosol paint for touching up unit chassis and panels. See Price Pages or Source1 SmartSearch for the correct color for each application.

**Compressor Sound Blanket S1-010-07xxx-000:** A field installed dense foam cover that provides 2dBA sound level reduction. See Price Pages or Source1 SmartSearch for the correct blanket for each application.

**Thermostat:** Compatible thermostat controls are available through accessory sourcing. For optimum performance, these outdoor units are fully compatible with our York Hx™ Touch-screen Thermostats available through Source1. For more information, see the thermostat section of the Product Equipment Catalog.

**SOUND POWER RATINGS - HEATING**

Heating Model Number	Octave Band Sound Power Level (db re. 1-pW)									
	63	125	250	500	1000	2000	4000	8000	dBA	SQI
YHG18B21S	63.1	61.6	60.1	66.4	66.3	60.6	57.5	55.3	70	19.0
YHG24B21S	73.4	71.0	69.1	70.5	67.4	65.7	63.9	60.9	73	19.0
YHG30B21S	63.4	64.0	63.0	69.2	65.2	61.2	56.9	54.9	70	19.1
YHG36B21S	68.0	68.7	63.5	72.1	69.1	61.8	55.6	53.1	73	19.1
YHG42B21S	63.9	63.4	63.6	68.8	64.4	64.4	59.8	56.5	71	19.0
YHG48B21S	67.6	68.2	67.2	70.3	69.8	65.2	62.7	60.2	74	19.0
YHG60B21S	69.6	69.2	66.4	70.7	68.1	62.9	61.6	60.5	73	19.1

Rated in accordance with ARI Standard 270.

**MECHANICAL SPECIFICATIONS****MANUFACTURE AND CERTIFICATIONS**

- Units shall be manufactured in an ISO 9001 certified facility.
- Units shall be certified by CSA to UL 1995 / CSA 22.2 and performance certified to ANSI/AHRI Standard 210/240.
- Units shall be sound tested according to ANSI/AHRI Standard 270.
- Certified matched system ratings will be available for download from the AHRI online directory at [www.ahridirectory.org](http://www.ahridirectory.org).
- Unit packaging shall be marked, "Assembled in the USA"

**UNIT APPLICATION**

- Units shall be approved for cooling operation between 55°F and 125°F without modification.
- Units shall be approved for heating operation between -20°F and 75°F without modification.
- Units shall be approved for linesets up to 80 feet equivalent length without modification.
- Units shall be approved for installation within 6 inches of a flat vertical wall without modification, according to the instructions in the technical literature.
- Units shall be certified to the 5th Edition (2014) of the Florida Building Code for both ground-mounted and rooftop-mounted applications up to 200 feet above grade with approved mounting kit.
- Units shall be designed to 76dBA or less to minimize sound pollution.

**UNIT ACCESS**

- Units shall have a removable fan guard that can be removed independently of the top for interior access through the top of the unit without damaging the coil.
- Units shall have two removable stamped steel coil guards for exterior coil access.
- Units shall have a separate compartment for electrical controls that can be accessed without disturbing the unit airflow.
- Units shall have a blockoff panel that can be removed to provide interior unit access through the side of the unit.
- Units shall have a removable blockoff panel and a swing away removable electrical panel that provides sufficient interior unit access for removing the compressor through the side of the unit.

**UNIT CONSTRUCTION**

- Units shall be shipped completely wired, piped and assembled. Wiring pigtails shall be provided for field control wiring connections. Service valves shall be provided for field refrigerant line connections.
- Units shall be factory leak checked, run tested, and shipped with a holding charge of R-410A refrigerant.

- Unit cabinet components shall be G90 equivalent steel finished with powder-coat paint rated at a minimum of 500 hours under ASTM B117 testing.
- Unit base pan shall be stamped G90 equivalent steel finished with powder-coat paint rated at a minimum of 500 hours under ASTM B117 testing.
- Units shall have a single corner post opposite the electrical control box and two independently removable steel coil guard panels to optimize cabinet strength and serviceability.
- Units shall have L-shaped stamped sheet metal coil guards with interior facing extrusions for superior panel stiffness and durability from hail and other mechanical impacts.
- Units shall have a factory installed filter-drier for faster installation and improved system reliability.
- Unit base valves shall be mounted diagonally on the unit base pan with service ports that provide sufficient clearance for low-loss hose fittings.
- Units shall provide a service port mounted in the base pan such that panels can be removed without moving the service port.
- Units shall be constructed with a high pressure switch and a low pressure switch for system protection.
- Units shall be constructed with all badging and labels applied at the factory.

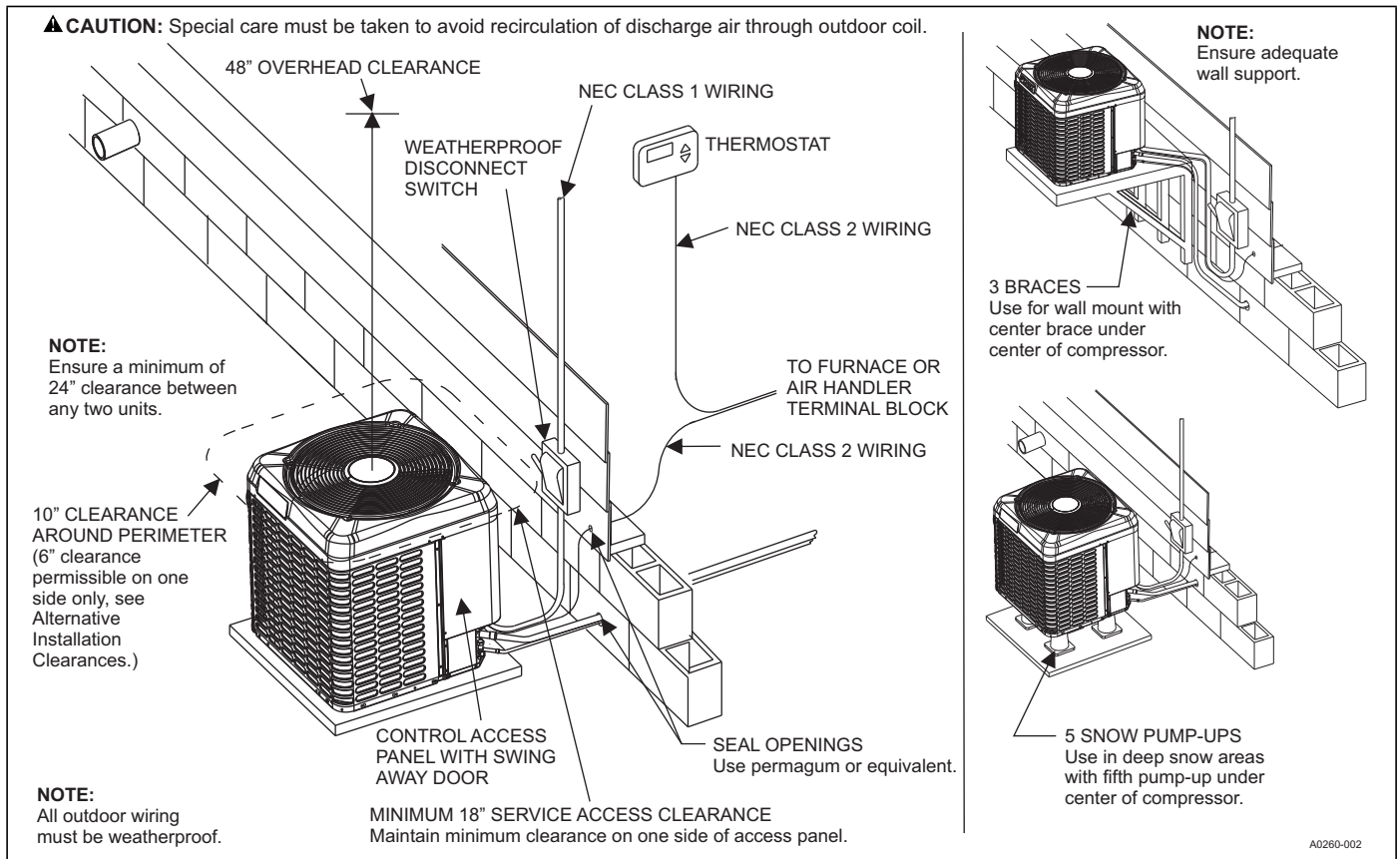
**UNIT COMPONENTS**

- Compressor shall be hermetic with internal electrical overload protection and internal overpressure protection.
- Compressor shall be mounted on neoprene vibration isolators that do not require the removal of transportation clips or brackets.
- Units shall be constructed with internally sprung reciprocating compressors for low vibration. (Applies to select models).
- Outdoor fan shall be direct drive with vertical air discharge for low sound levels.
- Outdoor fan motor shall be totally enclosed with permanently lubricated ball bearings motors approved for vertical shaft applications.
- Outdoor coil shall be air cooled and constructed of enhanced aluminum fins mechanically bonded to internally enhanced Ø 7mm copper tubing.

**UNIT WARRANTIES**

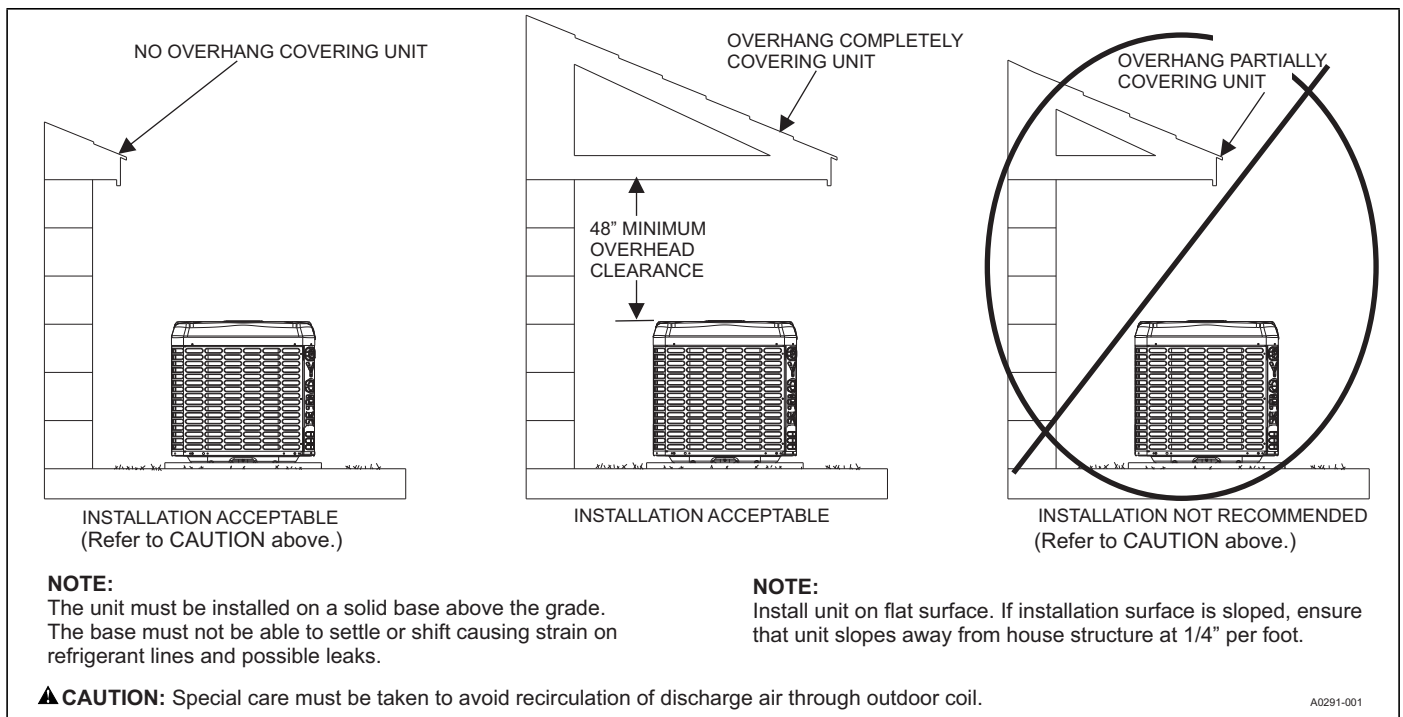
- Unit manufacturer shall provide a 10-Year compressor warranty without a requirement for unit registration.
- Unit manufacturer shall provide a 5-Year parts warranty without a requirement for unit registration.

**TYPICAL INSTALLATION**

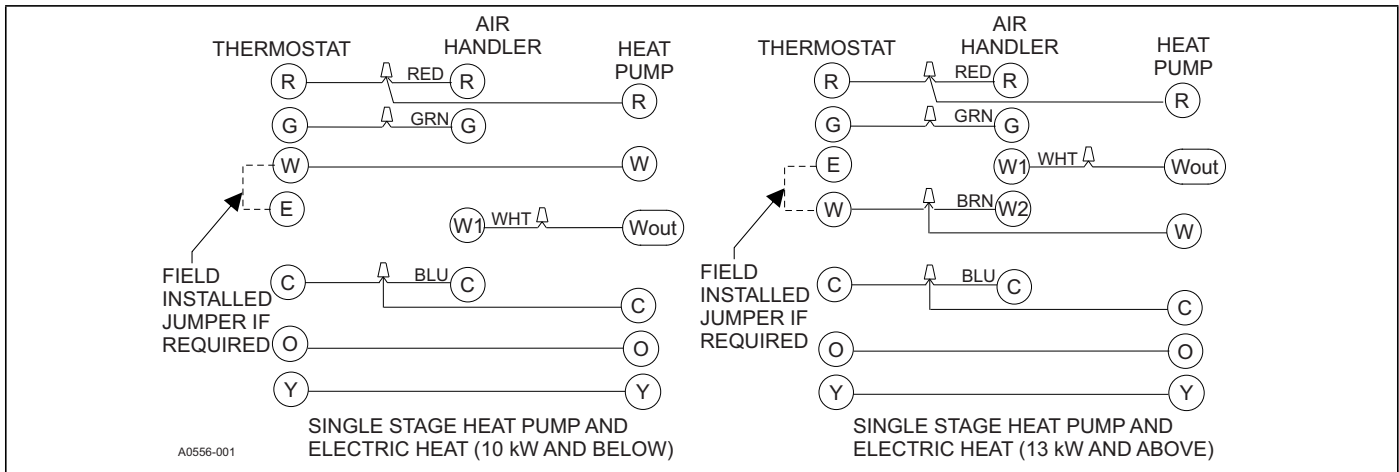


**CAUTION**

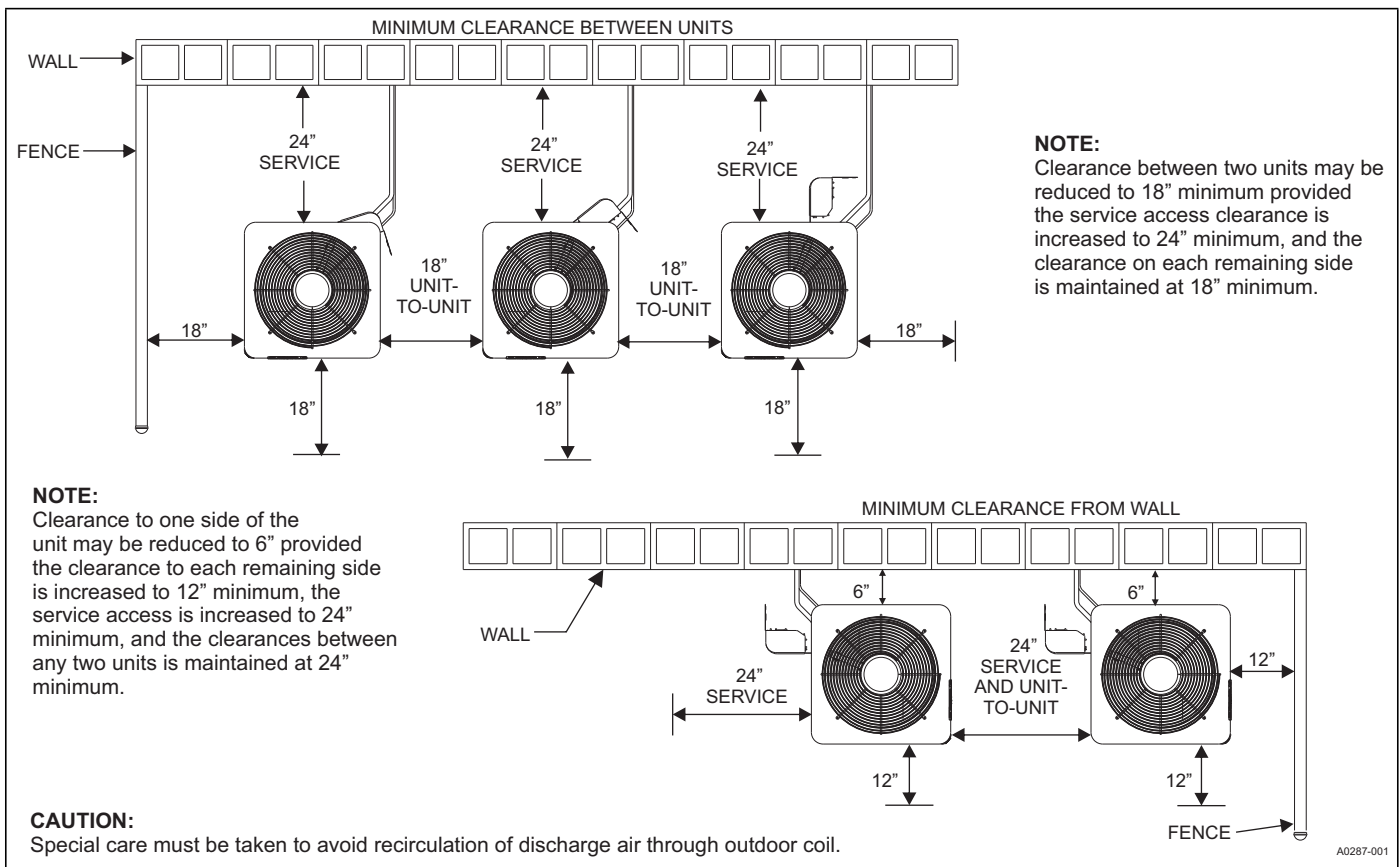
Care must be taken to prevent ice from damaging the unit. Damage may occur from ice falling onto unit from a sloped roof or from a vertical drip line due to a partial overhang.



**TYPICAL FIELD WIRING**



**ALTERNATIVE INSTALLATION CLEARANCES**



**PERFORMANCE DATA - 1.5 TON**

<b>CONDENSER-ONLY DATA (OUTDOOR UNIT)</b>																
MODEL	SATURATED SUCTION @ COMPRESSOR		Outdoor Ambient Temperature													
			65 °F		75 °F		85 °F		95 °F		105 °F		115 °F		125 °F	
	T (°F)	P (PSIG)	MBH	KW	MBH	KW	MBH	KW	MBH	KW	MBH	KW	MBH	KW	MBH	KW
YHG18B21S	35	107	14.9	0.80	14.0	0.94	13.0	1.09	12.0	1.23	11.0	1.37	10.0	1.51	9.1	1.66
	40	119	16.9	0.78	15.9	0.93	14.9	1.08	13.8	1.22	12.8	1.37	11.8	1.52	10.7	1.67
	45	130	18.9	0.76	17.8	0.91	16.8	1.07	15.7	1.22	14.6	1.37	13.5	1.53	12.4	1.68
	50	143	20.9	0.74	19.8	0.90	18.6	1.06	17.5	1.21	16.3	1.37	15.2	1.53	14.1	1.69
	55	156	22.9	0.72	21.7	0.88	20.5	1.05	19.3	1.21	18.1	1.37	16.9	1.54	15.7	1.70
	60	170	24.9	0.70	23.7	0.87	22.4	1.04	21.2	1.21	19.9	1.38	18.7	1.54	17.4	1.71

**Notes:**

- For Outdoor Unit (Condenser) performance only. Data does not include the effects of air handler power or heat.
- Performance based on 15°F subcooling and 15°F superheat at the Outdoor Unit base valves.
  - Increase capacity by 1% for each 2°F increase in subcooling.
  - Decrease capacity by 1% for each 2°F decrease in subcooling.
- Maximum recommended condensing temperature is 140°F.

<b>COOLING PERFORMANCE DATA</b>																	
AIR CONDITIONER MODEL NO.		YHG18B21S															
AIR TEMP. ENTERING OUTDOOR UNIT (°F)	IDCFM	500					650					800					
	ID DB (°F)	80	80	75	80	80	80	80	75	80	80	80	80	80	75	80	80
	ID WB (°F)	57	62	62	67	72	57	62	62	67	72	57	62	62	67	72	
65	T.C.	17.3	18.1	18.5	20.7	23.1	18.5	18.9	19.3	21.4	24.0	19.8	19.7	20.1	22.1	24.8	
	S.C.	17.3	15.5	13.2	13.3	10.6	18.5	17.9	15.1	15.0	11.7	19.8	19.7	17.0	16.8	12.8	
	KW	0.81	0.88	0.88	0.88	0.88	0.83	0.93	0.93	0.93	0.92	0.85	0.97	0.98	0.97	0.97	
75	T.C.	16.6	17.5	17.6	19.7	22.4	17.8	18.2	18.3	20.3	23.1	19.1	18.9	19.1	20.9	23.8	
	S.C.	16.6	15.3	12.9	13.0	10.4	17.8	17.7	14.7	14.6	11.5	19.1	18.9	16.5	16.2	12.6	
	KW	0.98	0.98	0.99	0.98	0.97	1.02	1.03	1.03	1.03	1.02	1.07	1.07	1.08	1.07	1.07	
85	T.C.	15.6	16.5	16.9	19.0	21.2	17.6	17.2	17.6	19.4	21.8	19.6	17.9	18.3	19.9	22.5	
	S.C.	15.6	14.9	11.2	12.6	10.0	17.6	17.2	12.8	14.3	11.1	19.6	17.9	14.3	16.0	12.2	
	KW	1.11	1.11	1.12	1.11	1.11	1.04	1.16	1.17	1.16	1.16	0.97	1.21	1.21	1.21	1.21	
95	T.C.	14.7	15.5	16.1	18.3	20.0	17.4	16.2	16.8	18.6	20.6	20.2	17.0	17.5	18.9	21.2	
	S.C.	14.7	14.4	9.6	12.3	9.7	17.4	16.2	10.8	14.0	10.7	20.2	17.0	12.0	15.8	11.8	
	KW	1.25	1.25	1.26	1.24	1.25	1.06	1.29	1.31	1.29	1.29	0.87	1.34	1.35	1.34	1.34	
105	T.C.	14.0	14.7	15.1	17.1	19.0	16.2	15.4	15.7	17.4	19.5	18.5	16.1	16.3	17.7	20.1	
	S.C.	14.0	13.9	9.8	11.8	9.3	16.2	15.4	11.1	13.5	10.4	18.5	16.1	12.4	15.2	11.5	
	KW	1.42	1.42	1.44	1.42	1.42	1.29	1.46	1.48	1.47	1.46	1.16	1.51	1.53	1.51	1.51	
115	T.C.	13.3	13.9	14.2	15.9	18.0	15.0	14.5	14.6	16.3	18.5	16.8	15.2	15.1	16.6	19.0	
	S.C.	13.3	13.3	10.0	11.3	9.0	15.0	14.5	11.4	13.0	10.1	16.8	15.2	12.8	14.7	11.2	
	KW	1.59	1.59	1.62	1.60	1.59	1.52	1.63	1.66	1.64	1.64	1.45	1.67	1.71	1.69	1.69	
125	T.C.	12.6	13.1	13.2	14.8	17.0	13.8	13.7	13.6	15.1	17.4	15.1	14.3	13.9	15.4	17.8	
	S.C.	12.6	12.8	10.2	10.8	8.7	13.8	13.7	11.7	12.5	9.8	15.1	14.3	13.1	14.2	10.9	
	KW	1.77	1.76	1.79	1.77	1.76	1.75	1.80	1.84	1.82	1.81	1.73	1.84	1.88	1.86	1.86	

**NOTE:** ALL CAPACITIES INCLUDE INDOOR FAN HEAT. KW VALUES ARE FOR THE SYSTEM (OUTDOOR + INDOOR).

Green shaded cells are ACCA (TVA) conditions.

Blue shaded cells are AHRI conditions.

**Multipliers for determining the performance with other indoor sections.**

**NOTE:** For dry bulb temperatures different than those listed (between 73-87 °F), sensible capacity increases by 1060 BTUH per 1000 CFM per degree above the listed temperature and decreases by 1060 BTUH per 1000 CFM per degree below the listed temperature.

**COIL MULTIPLIERS- 1.5 TON**

Air Handler	Coil	T.C.	S.C.	KW
–	CF/CM/CU24A	1.00	0.92	1.00
–	CF/CM/CU24B	1.00	0.92	1.00
–	CF/CM24C	1.00	0.92	1.00
AE24BX21	–	1.00	0.91	1.00
AE30BX21	–	1.00	0.93	1.00
AP24BX21	–	1.00	0.96	1.00
AVC24BX21	–	1.00	0.88	1.00
AVC30BX21	–	1.00	1.00	1.00
ME08BN21	CF/CM24B	1.00	0.88	1.00
ME08BN21	CF/CM30B	1.00	0.93	1.00
ME12BN21	CF/CM24B	1.00	0.93	1.00
ME12BN21	CF/CM30B	1.00	0.97	1.00
ME12CN21	CF/CM24C	1.00	0.88	1.00
ME12CN21	CF/CM30C	1.00	0.93	1.00
MVC08BN21	CF/CM24B	1.00	0.91	1.00
MVC08BN21	CF/CM30B	1.00	0.96	1.00
MVC12CN21	CF/CM24C	1.00	0.92	1.00
MVC12CN21	CF/CM30C	1.00	0.96	1.00

**FURNACE MULTIPLIERS- 1.5 TON**

Furnaces	Coil	T.C.	S.C.	KW
TM8V060A12MP12C	CF/CM/CU24A	1.00	0.88	1.00
TM8V060A12MP12C	CF/CM/CU24B	1.00	0.88	1.00
TM8V060A12MP12C	CF/CM/CU30A	1.00	0.91	1.00
TM8V060A12MP12C	CF/CM/CU30B	1.00	0.95	1.00
TM8V080B12MP12C	CF/CM/CU24B	1.00	0.91	1.00
TM8V080B12MP12C	CF/CM24C	1.00	0.91	1.00
TM8V080B12MP12C	CF/CM/CU30B	1.00	0.90	1.00
TM8V080B12MP12C	CF/CM30C	1.00	0.95	1.00
TM8X060A12MP11	CF/CM/CU24A	1.00	0.91	1.00
TM8X060A12MP11	CF/CM/CU24B	1.00	0.93	1.00
TM8X060A12MP11	CF/CM/CU30A	1.00	0.95	1.00
TM8X060A12MP11	CF/CM/CU30B	1.00	0.96	1.00
TM8X080B12MP11	CF/CM/CU24B	1.00	0.94	1.00
TM8X080B12MP11	CF/CM24C	1.00	0.94	1.00
TM8X080B12MP11	CF/CM/CU30B	1.00	0.98	1.00
TM8X080B12MP11	CF/CM30C	1.00	0.98	1.00
TM8X080C16MP11	CF/CM24C	1.00	0.95	1.00
TM8X080C16MP11	CF/CM30C	1.00	0.99	1.00
TM8X100C16MP11	CF/CM24C	1.00	0.95	1.00
TM8X100C16MP11	CF/CM30C	1.00	0.99	1.00
TM8Y060A12MP11	CF/CM/CU24A	1.00	0.91	1.00
TM8Y060A12MP11	CF/CM/CU24B	1.00	0.93	1.00
TM8Y060A12MP11	CF/CM/CU30A	1.00	0.95	1.00
TM8Y060A12MP11	CF/CM/CU30B	1.00	0.96	1.00
TM8Y080B12MP11	CF/CM/CU24B	1.00	0.94	1.00
TM8Y080B12MP11	CF/CM24C	1.00	0.94	1.00
TM8Y080B12MP11	CF/CM/CU30B	1.00	0.98	1.00
TM8Y080B12MP11	CF/CM30C	1.00	0.98	1.00
TM8Y080C16MP11	CF/CM24C	1.00	0.95	1.00
TM8Y080C16MP11	CF/CM30C	1.00	0.99	1.00
TM8Y100C16MP11	CF/CM24C	1.00	0.95	1.00
TM8Y100C16MP11	CF/CM30C	1.00	0.99	1.00
TM9E040A10MP11	CF/CM/CU24A	1.00	0.96	1.00

**FURNACE MULTIPLIERS- 1.5 TON (Continued)**

Furnaces	Coil	T.C.	S.C.	KW
TM9E040A10MP11	CF/CM/CU24B	1.00	0.97	1.00
TM9E040A10MP11	CF/CM/CU30A	1.00	0.99	1.00
TM9E040A10MP11	CF/CM/CU30B	1.00	1.01	1.00
TM9E060B12MP11	CF/CM/CU24B	1.00	0.94	1.00
TM9E060B12MP11	CF/CM24C	1.00	0.94	1.00
TM9E060B12MP11	CF/CM/CU30B	1.00	0.98	1.00
TM9E060B12MP11	CF/CM30C	1.00	0.98	1.00
TM9E080B12MP11	CF/CM/CU24B	1.00	0.96	1.00
TM9E080B12MP11	CF/CM24C	1.00	0.96	1.00
TM9E080B12MP11	CF/CM/CU30B	1.00	1.00	1.00
TM9E080B12MP11	CF/CM30C	1.00	1.00	1.00
TM9E080C16MP11	CF/CM24C	1.00	0.89	1.00
TM9E080C16MP11	CF/CM30C	1.00	0.93	1.00
TM9E100C16MP11	CF/CM24C	1.00	0.91	1.00
TM9E100C16MP11	CF/CM30C	1.00	0.94	1.00
TM9V040A10MP12C	CF/CM/CU24A	1.00	0.88	1.00
TM9V040A10MP12C	CF/CM/CU24B	1.00	0.88	1.00
TM9V040A10MP12C	CF/CM/CU30A	1.00	0.92	1.00
TM9V040A10MP12C	CF/CM/CU30B	1.00	0.92	0.98
TM9V060B12MP12C	CF/CM/CU24B	1.00	0.89	1.00
TM9V060B12MP12C	CF/CM24C	1.00	0.93	1.00
TM9V060B12MP12C	CF/CM/CU30B	1.00	0.90	1.00
TM9V060B12MP12C	CF/CM30C	1.00	0.93	1.00
TM9V080B12MP12C	CF/CM/CU24B	1.00	0.88	1.00
TM9V080B12MP12C	CF/CM24C	1.00	0.91	1.00
TM9V080B12MP12C	CF/CM/CU30B	1.00	0.91	1.00
TM9V080B12MP12C	CF/CM30C	1.00	0.95	1.00
TM9Y040A10MP11	CF/CM/CU24A	1.00	0.96	1.00
TM9Y040A10MP11	CF/CM/CU24B	1.00	0.97	1.00
TM9Y040A10MP11	CF/CM/CU30A	1.00	0.99	1.00
TM9Y040A10MP11	CF/CM/CU30B	1.00	1.01	1.00
TM9Y060B12MP11	CF/CM/CU24B	1.00	0.94	1.00
TM9Y060B12MP11	CF/CM24C	1.00	0.94	1.00
TM9Y060B12MP11	CF/CM/CU30B	1.00	0.98	1.00
TM9Y060B12MP11	CF/CM30C	1.00	0.98	1.00
TM9Y080B12MP11	CF/CM/CU24B	1.00	0.96	1.00
TM9Y080B12MP11	CF/CM24C	1.00	0.96	1.00
TM9Y080B12MP11	CF/CM/CU30B	1.00	1.00	1.00
TM9Y080B12MP11	CF/CM30C	1.00	1.00	1.00
TM9Y080C16MP11	CF/CM24C	1.00	0.89	1.00
TM9Y080C16MP11	CF/CM30C	1.00	0.93	1.00
TM9Y100C16MP11	CF/CM24C	1.00	0.91	1.00
TM9Y100C16MP11	CF/CM30C	1.00	0.94	1.00
TMLV060A12MP12C	CF/CM/CU24A	1.00	0.88	1.00
TMLV060A12MP12C	CF/CM/CU24B	1.00	0.88	1.00
TMLV060A12MP12C	CF/CM/CU30A	1.00	0.91	1.00
TMLV060A12MP12C	CF/CM/CU30B	1.00	0.95	1.00
TMLV080B12MP12C	CF/CM/CU24B	1.00	0.91	1.00
TMLV080B12MP12C	CF/CM24C	1.00	0.91	1.00
TMLV080B12MP12C	CF/CM/CU30B	1.00	0.90	1.00
TMLV080B12MP12C	CF/CM30C	1.00	0.95	1.00
TMLX060A12MP11	CF/CM/CU24A	1.00	0.91	1.00
TMLX060A12MP11	CF/CM/CU24B	1.00	0.93	1.00
TMLX060A12MP11	CF/CM/CU30A	1.00	0.95	1.00
TMLX060A12MP11	CF/CM/CU30B	1.00	0.96	1.00

**FURNACE MULTIPLIERS- 1.5 TON (Continued)**

Furnaces	Coil	T.C.	S.C.	KW
TMLX080B12MP11	CF/CM/CU24B	1.00	0.94	1.00
TMLX080B12MP11	CF/CM24C	1.00	0.94	1.00
TMLX080B12MP11	CF/CM/CU30B	1.00	0.98	1.00
TMLX080B12MP11	CF/CM30C	1.00	0.98	1.00
TMLX080C16MP11	CF/CM24C	1.00	0.95	1.00
TMLX080C16MP11	CF/CM30C	1.00	0.99	1.00
TMLX100C16MP11	CF/CM24C	1.00	0.95	1.00
TMLX100C16MP11	CF/CM30C	1.00	0.99	1.00
TP9C060B12MP13C	CF/CM/CU24B	1.00	0.89	1.00
TP9C060B12MP13C	CF/CM24C	1.00	0.93	1.00
TP9C060B12MP13C	CF/CM/CU30B	1.00	0.90	1.00
TP9C060B12MP13C	CF/CM30C	1.00	0.93	1.00
TP9C080B12MP13C	CF/CM/CU24B	1.00	0.88	1.00
TP9C080B12MP13C	CF/CM24C	1.00	0.91	1.00
TP9C080B12MP13C	CF/CM/CU30B	1.00	0.91	1.00
TP9C080B12MP13C	CF/CM30C	1.00	0.95	1.00
TPLC060A12MP13C	CF/CM/CU24A	1.00	0.88	1.00
TPLC060A12MP13C	CF/CM/CU24B	1.00	0.88	1.00
TPLC060A12MP13C	CF/CM/CU30A	1.00	0.91	1.00
TPLC060A12MP13C	CF/CM/CU30B	1.00	0.95	1.00
TPLC080B12MP13C	CF/CM/CU24B	1.00	0.91	1.00

**FURNACE MULTIPLIERS- 1.5 TON (Continued)**

Furnaces	Coil	T.C.	S.C.	KW
TPLC080B12MP13C	CF/CM24C	1.00	0.91	1.00
TPLC080B12MP13C	CF/CM/CU30B	1.00	0.90	1.00
TPLC080B12MP13C	CF/CM30C	1.00	0.95	1.00
YP9C060B12MP13C	CF/CM/CU24B	1.00	0.89	1.00
YP9C060B12MP13C	CF/CM24C	1.00	0.93	1.00
YP9C060B12MP13C	CF/CM/CU30B	1.00	0.90	1.00
YP9C060B12MP13C	CF/CM30C	1.00	0.93	1.00
YP9C080B12MP13C	CF/CM/CU24B	1.00	0.88	1.00
YP9C080B12MP13C	CF/CM24C	1.00	0.91	1.00
YP9C080B12MP13C	CF/CM/CU30B	1.00	0.91	1.00
YP9C080B12MP13C	CF/CM30C	1.00	0.95	1.00
YPLC060A12MP13C	CF/CM/CU24A	1.00	0.88	1.00
YPLC060A12MP13C	CF/CM/CU24B	1.00	0.88	1.00
YPLC060A12MP13C	CF/CM/CU30A	1.00	0.91	1.00
YPLC060A12MP13C	CF/CM/CU30B	1.00	0.95	1.00
YPLC080B12MP13C	CF/CM/CU24B	1.00	0.91	1.00
YPLC080B12MP13C	CF/CM24C	1.00	0.91	1.00
YPLC080B12MP13C	CF/CM/CU30B	1.00	0.90	1.00
YPLC080B12MP13C	CF/CM30C	1.00	0.95	1.00

HEATING PERFORMANCE DATA										
CONDENSING UNIT MODEL NO		YHG18B21S								
AIR TEMP. ENTERING OUTDOOR UNIT (°F)	AIR TEMP. ENTERING INDOOR COIL (°F)	ID CFM								
		500			650			800		
		MBH	COP	KW	MBH	COP	KW	MBH	COP	KW
60	60	20.5	5.12	1.17	21.3	5.53	1.13	22.2	5.95	1.09
	70	19.8	4.50	1.31	20.7	4.88	1.26	21.6	5.26	1.22
	80	19.2	3.88	1.45	20.1	4.22	1.40	20.9	4.57	1.34
47	60	17.3	4.51	1.13	17.7	4.74	1.10	18.2	4.98	1.07
	70	16.6	3.94	1.26	17.2	4.18	1.22	17.7	4.42	1.19
	80	16.0	3.37	1.39	16.6	3.62	1.35	17.2	3.87	1.30
40	60	15.7	4.19	1.10	16.1	4.36	1.08	16.5	4.53	1.07
	70	15.3	3.69	1.23	15.7	3.86	1.21	16.1	4.03	1.18
	80	14.9	3.19	1.37	15.3	3.36	1.33	15.7	3.53	1.30
30	60	13.5	3.71	1.06	14.0	3.88	1.06	14.5	4.05	1.05
	70	13.0	3.25	1.19	13.5	3.42	1.17	14.0	3.59	1.16
	80	12.5	2.78	1.31	13.0	2.95	1.29	13.6	3.13	1.27
17	60	9.9	2.84	1.02	10.4	2.98	1.03	11.0	3.11	1.03
	70	9.7	2.60	1.11	10.2	2.71	1.11	10.6	2.83	1.11
	80	9.6	2.36	1.19	9.9	2.45	1.18	10.3	2.55	1.18
10	60	13.3	2.47	1.58	13.7	2.52	1.59	14.3	2.59	1.61
	70	13.1	2.24	1.71	13.6	2.29	1.73	14.0	2.35	1.75
	80	12.9	2.05	1.84	13.4	2.10	1.87	13.8	2.14	1.89
0	60	6.2	1.90	0.95	6.3	1.94	0.96	6.6	1.99	0.97
	70	6.1	1.72	1.03	6.3	1.76	1.04	6.5	1.81	1.05
	80	5.9	1.57	1.11	6.2	1.61	1.13	6.4	1.64	1.14
-10	60	3.9	1.23	0.92	4.0	1.26	0.92	4.2	1.30	0.94
	70	3.8	1.12	0.99	3.9	1.15	1.01	4.1	1.17	1.02
	80	3.7	1.02	1.07	3.9	1.05	1.09	4.0	1.07	1.10
-20	60	1.6	0.52	0.89	1.6	0.53	0.89	1.7	0.55	0.91
	70	1.6	0.47	0.96	1.6	0.49	0.97	1.7	0.50	0.98
	80	1.5	0.43	1.03	1.6	0.44	1.05	1.6	0.45	1.06

NOTE: ALL CAPACITIES INCLUDE INDOOR FAN HEAT. KW VALUES ARE FOR THE SYSTEM (OUTDOOR + INDOOR).

Yellow shaded cells are AHRI High Heating conditions.

Orange shaded cells are AHRI Low Heating conditions.

### Multipliers for determining the performance with other indoor sections.

#### COIL MULTIPLIERS- 1.5 TON

Air Handler	Coil	MBH	COP	KW
-	CF/CM/CU24A	1.05	0.99	1.06
-	CF/CM/CU24B	1.05	0.99	1.06
-	CF/CM24C	1.05	0.99	1.06
AE24BX21	-	1.05	1.14	0.92
AE30BX21	-	1.05	1.09	0.96
AP24BX21	-	1.05	1.03	1.02
AVC24BX21	-	1.05	1.09	0.96
AVC30BX21	-	1.00	1.00	1.00
ME08BN21	CF/CM24B	1.05	1.08	0.97
ME08BN21	CF/CM30B	1.05	1.07	0.98
ME12BN21	CF/CM24B	1.05	1.14	0.92
ME12BN21	CF/CM30B	1.05	1.11	0.94
ME12CN21	CF/CM24C	1.05	1.09	0.96
ME12CN21	CF/CM30C	1.05	1.07	0.98
MVC08BN21	CF/CM24B	1.05	1.11	0.94
MVC08BN21	CF/CM30B	1.05	1.10	0.95
MVC12CN21	CF/CM24C	1.05	1.13	0.92
MVC12CN21	CF/CM30C	1.05	1.10	0.95

#### FURNACE MULTIPLIERS- 1.5 TON

Furnaces	Coil	MBH	COP	KW
TM8V060A12MP12C	CF/CM/CU24A	1.05	1.07	0.98
TM8V060A12MP12C	CF/CM/CU24B	1.05	1.07	0.98
TM8V060A12MP12C	CF/CM/CU30A	1.05	1.04	1.01
TM8V060A12MP12C	CF/CM/CU30B	1.05	1.07	0.98
TM8V080B12MP12C	CF/CM/CU24B	1.05	1.09	0.96
TM8V080B12MP12C	CF/CM24C	1.05	1.09	0.96
TM8V080B12MP12C	CF/CM/CU30B	1.05	1.02	1.02
TM8V080B12MP12C	CF/CM30C	1.05	1.06	0.99
TM8X060A12MP11	CF/CM/CU24A	1.05	1.09	0.96
TM8X060A12MP11	CF/CM/CU24B	1.05	1.10	0.95
TM8X060A12MP11	CF/CM/CU30A	1.05	1.06	0.99
TM8X060A12MP11	CF/CM/CU30B	1.05	1.08	0.97
TM8X080B12MP11	CF/CM/CU24B	1.05	1.12	0.94
TM8X080B12MP11	CF/CM24C	1.05	1.12	0.93
TM8X080B12MP11	CF/CM/CU30B	1.05	1.09	0.96
TM8X080B12MP11	CF/CM30C	1.05	1.10	0.95
TM8X080C16MP11	CF/CM24C	1.05	1.15	0.91
TM8X080C16MP11	CF/CM30C	1.05	1.12	0.94



## FURNACE MULTIPLIERS- 1.5 TON (Continued)

Furnaces	Coil	MBH	COP	KW
TM8X100C16MP11	CF/CM24C	1.05	1.15	0.91
TM8X100C16MP11	CF/CM30C	1.05	1.12	0.94
TM8Y060A12MP11	CF/CM/CU24A	1.05	1.09	0.96
TM8Y060A12MP11	CF/CM/CU24B	1.05	1.10	0.95
TM8Y060A12MP11	CF/CM/CU30A	1.05	1.06	0.99
TM8Y060A12MP11	CF/CM/CU30B	1.05	1.08	0.97
TM8Y080B12MP11	CF/CM/CU24B	1.05	1.12	0.94
TM8Y080B12MP11	CF/CM24C	1.05	1.12	0.93
TM8Y080B12MP11	CF/CM/CU30B	1.05	1.09	0.96
TM8Y080B12MP11	CF/CM30C	1.05	1.10	0.95
TM8Y080C16MP11	CF/CM24C	1.05	1.15	0.91
TM8Y080C16MP11	CF/CM30C	1.05	1.12	0.94
TM8Y100C16MP11	CF/CM24C	1.05	1.15	0.91
TM8Y100C16MP11	CF/CM30C	1.05	1.12	0.94
TM9E040A10MP11	CF/CM/CU24A	1.05	1.06	0.99
TM9E040A10MP11	CF/CM/CU24B	1.05	1.08	0.97
TM9E040A10MP11	CF/CM/CU30A	1.05	1.04	1.01
TM9E040A10MP11	CF/CM/CU30B	1.05	1.06	0.99
TM9E060B12MP11	CF/CM/CU24B	1.05	1.10	0.95
TM9E060B12MP11	CF/CM24C	1.05	1.10	0.95
TM9E060B12MP11	CF/CM/CU30B	1.05	1.08	0.97
TM9E060B12MP11	CF/CM30C	1.05	1.09	0.96
TM9E080B12MP11	CF/CM/CU24B	1.05	1.13	0.93
TM9E080B12MP11	CF/CM24C	1.05	1.13	0.92
TM9E080B12MP11	CF/CM/CU30B	1.05	1.10	0.95
TM9E080B12MP11	CF/CM30C	1.05	1.10	0.95
TM9E080C16MP11	CF/CM24C	1.05	1.09	0.96
TM9E080C16MP11	CF/CM30C	1.05	1.06	0.99
TM9E100C16MP11	CF/CM24C	1.05	1.09	0.96
TM9E100C16MP11	CF/CM30C	1.05	1.07	0.98
TM9V040A10MP12C	CF/CM/CU24A	1.05	1.04	1.00
TM9V040A10MP12C	CF/CM/CU24B	1.05	1.05	1.00
TM9V040A10MP12C	CF/CM/CU30A	1.05	1.02	1.03
TM9V040A10MP12C	CF/CM/CU30B	1.05	1.02	1.02
TM9V060B12MP12C	CF/CM/CU24B	1.05	1.08	0.97
TM9V060B12MP12C	CF/CM24C	1.05	1.10	0.95
TM9V060B12MP12C	CF/CM/CU30B	1.05	1.03	1.02
TM9V060B12MP12C	CF/CM30C	1.05	1.05	0.99
TM9V080B12MP12C	CF/CM/CU24B	1.05	1.07	0.98
TM9V080B12MP12C	CF/CM24C	1.05	1.09	0.96
TM9V080B12MP12C	CF/CM/CU30B	1.05	1.04	1.00
TM9V080B12MP12C	CF/CM30C	1.05	1.07	0.98
TM9Y040A10MP11	CF/CM/CU24A	1.05	1.06	0.99
TM9Y040A10MP11	CF/CM/CU24B	1.05	1.08	0.97
TM9Y040A10MP11	CF/CM/CU30A	1.05	1.04	1.01
TM9Y040A10MP11	CF/CM/CU30B	1.05	1.06	0.99
TM9Y060B12MP11	CF/CM/CU24B	1.05	1.10	0.95
TM9Y060B12MP11	CF/CM24C	1.05	1.10	0.95
TM9Y060B12MP11	CF/CM/CU30B	1.05	1.08	0.97
TM9Y060B12MP11	CF/CM30C	1.05	1.09	0.96
TM9Y080B12MP11	CF/CM/CU24B	1.05	1.13	0.93
TM9Y080B12MP11	CF/CM24C	1.05	1.13	0.92
TM9Y080B12MP11	CF/CM/CU30B	1.05	1.10	0.95
TM9Y080B12MP11	CF/CM30C	1.05	1.10	0.95
TM9Y080C16MP11	CF/CM24C	1.05	1.09	0.96

## FURNACE MULTIPLIERS- 1.5 TON (Continued)

Furnaces	Coil	MBH	COP	KW
TM9Y080C16MP11	CF/CM30C	1.05	1.06	0.99
TM9Y100C16MP11	CF/CM24C	1.05	1.09	0.96
TM9Y100C16MP11	CF/CM30C	1.05	1.07	0.98
TMLV060A12MP12C	CF/CM/CU24A	1.05	1.07	0.98
TMLV060A12MP12C	CF/CM/CU24B	1.05	1.07	0.98
TMLV060A12MP12C	CF/CM/CU30A	1.05	1.04	1.01
TMLV060A12MP12C	CF/CM/CU30B	1.05	1.07	0.98
TMLV080B12MP12C	CF/CM/CU24B	1.05	1.09	0.96
TMLV080B12MP12C	CF/CM24C	1.05	1.09	0.96
TMLV080B12MP12C	CF/CM/CU30B	1.05	1.02	1.02
TMLV080B12MP12C	CF/CM30C	1.05	1.06	0.99
TMLX060A12MP11	CF/CM/CU24A	1.05	1.09	0.96
TMLX060A12MP11	CF/CM/CU24B	1.05	1.10	0.95
TMLX060A12MP11	CF/CM/CU30A	1.05	1.06	0.99
TMLX060A12MP11	CF/CM/CU30B	1.05	1.08	0.97
TMLX080B12MP11	CF/CM/CU24B	1.05	1.12	0.94
TMLX080B12MP11	CF/CM24C	1.05	1.12	0.93
TMLX080B12MP11	CF/CM/CU30B	1.05	1.09	0.96
TMLX080B12MP11	CF/CM30C	1.05	1.10	0.95
TMLX080C16MP11	CF/CM24C	1.05	1.15	0.91
TMLX080C16MP11	CF/CM30C	1.05	1.12	0.94
TMLX100C16MP11	CF/CM24C	1.05	1.15	0.91
TMLX100C16MP11	CF/CM30C	1.05	1.12	0.94
TP9C060B12MP13C	CF/CM/CU24B	1.05	1.08	0.97
TP9C060B12MP13C	CF/CM24C	1.05	1.10	0.95
TP9C060B12MP13C	CF/CM/CU30B	1.05	1.03	1.02
TP9C060B12MP13C	CF/CM30C	1.05	1.05	0.99
TP9C080B12MP13C	CF/CM/CU24B	1.05	1.07	0.98
TP9C080B12MP13C	CF/CM24C	1.05	1.09	0.96
TP9C080B12MP13C	CF/CM/CU30B	1.05	1.04	1.00
TP9C080B12MP13C	CF/CM30C	1.05	1.07	0.98
TPLC060A12MP13C	CF/CM/CU24A	1.05	1.07	0.98
TPLC060A12MP13C	CF/CM/CU24B	1.05	1.07	0.98
TPLC060A12MP13C	CF/CM/CU30A	1.05	1.04	1.01
TPLC060A12MP13C	CF/CM/CU30B	1.05	1.07	0.98
TPLC080B12MP13C	CF/CM/CU24B	1.05	1.09	0.96
TPLC080B12MP13C	CF/CM24C	1.05	1.09	0.96
TPLC080B12MP13C	CF/CM/CU30B	1.05	1.02	1.02
TPLC080B12MP13C	CF/CM30C	1.05	1.06	0.99
YP9C060B12MP13C	CF/CM/CU24B	1.05	1.08	0.97
YP9C060B12MP13C	CF/CM24C	1.05	1.10	0.95
YP9C060B12MP13C	CF/CM/CU30B	1.05	1.03	1.02
YP9C060B12MP13C	CF/CM30C	1.05	1.05	0.99
YP9C080B12MP13C	CF/CM/CU24B	1.05	1.07	0.98
YP9C080B12MP13C	CF/CM24C	1.05	1.09	0.96
YP9C080B12MP13C	CF/CM/CU30B	1.05	1.04	1.00
YP9C080B12MP13C	CF/CM30C	1.05	1.07	0.98
YPLC060A12MP13C	CF/CM/CU24A	1.05	1.07	0.98
YPLC060A12MP13C	CF/CM/CU24B	1.05	1.07	0.98
YPLC060A12MP13C	CF/CM/CU30A	1.05	1.04	1.01
YPLC060A12MP13C	CF/CM/CU30B	1.05	1.07	0.98
YPLC080B12MP13C	CF/CM/CU24B	1.05	1.09	0.96
YPLC080B12MP13C	CF/CM24C	1.05	1.09	0.96
YPLC080B12MP13C	CF/CM/CU30B	1.05	1.02	1.02
YPLC080B12MP13C	CF/CM30C	1.05	1.06	0.99

## PERFORMANCE DATA - 2 TON

CONDENSER-ONLY DATA (OUTDOOR UNIT)																
MODEL	SATURATED SUCTION @ COMPRESSOR		Outdoor Ambient Temperature													
			65 °F		75 °F		85 °F		95 °F		105 °F		115 °F		125 °F	
	T (°F)	P (PSIG)	MBH	KW	MBH	KW	MBH	KW	MBH	KW	MBH	KW	MBH	KW	MBH	KW
YHG24B21S	35	107	19.6	1.09	18.5	1.27	17.4	1.45	16.4	1.64	15.3	1.82	14.2	2.00	13.1	2.18
	40	119	22.4	1.07	21.1	1.26	19.9	1.45	18.6	1.63	17.3	1.82	16.1	2.01	14.8	2.20
	45	130	25.1	1.05	23.7	1.25	22.3	1.44	20.8	1.63	19.4	1.82	18.0	2.02	16.5	2.21
	50	143	27.9	1.04	26.3	1.23	24.7	1.43	23.1	1.63	21.5	1.82	19.9	2.02	18.3	2.22
	55	156	30.7	1.02	28.9	1.22	27.1	1.42	25.3	1.62	23.5	1.83	21.7	2.03	20.0	2.23
	60	170	33.5	1.00	31.5	1.21	29.5	1.41	27.6	1.62	25.6	1.83	23.6	2.04	21.7	2.24

## Notes:

- For Outdoor Unit (Condenser) performance only. Data does not include the effects of air handler power or heat.
- Performance based on 15°F subcooling and 15°F superheat at the Outdoor Unit base valves.
  - Increase capacity by 1% for each 2°F increase in subcooling.
  - Decrease capacity by 1% for each 2°F decrease in subcooling.
- Maximum recommended condensing temperature is 140°F.

COOLING PERFORMANCE DATA																	
AIR CONDITIONER MODEL NO.		YHG24B21S															
AIR TEMP. ENTERING OUTDOOR UNIT (°F)	IDCFM	635					835					1035					
		ID DB (°F)	80	80	75	80	80	80	80	75	80	80	80	80	75	80	80
		ID WB (°F)	57	62	62	67	72	57	62	62	67	72	57	62	62	67	72
65	T.C.	21.4	23.2	23.5	25.9	28.1	23.8	24.7	24.9	27.4	29.3	26.1	26.1	26.4	28.8	30.5	
	S.C.	21.4	19.7	17.1	17.3	14.2	23.8	22.7	19.6	19.7	15.6	26.1	25.7	22.0	22.1	17.1	
	KW	1.22	1.22	1.22	1.22	1.21	1.21	1.22	1.22	1.22	1.22	1.21	1.21	1.22	1.21	1.22	1.21
75	T.C.	20.4	22.2	22.5	25.0	27.3	22.4	23.6	23.9	26.3	28.6	24.5	25.0	25.4	27.6	29.8	
	S.C.	20.4	19.1	16.7	17.0	13.9	22.4	22.1	19.2	19.4	15.5	24.5	25.0	21.7	21.8	17.0	
	KW	1.36	1.37	1.36	1.37	1.35	1.35	1.36	1.35	1.36	1.35	1.35	1.36	1.35	1.36	1.35	
85	T.C.	19.5	20.9	21.2	23.6	26.2	21.4	22.3	22.5	24.9	27.4	23.4	23.6	23.7	26.3	28.5	
	S.C.	19.5	18.5	16.1	16.3	13.5	21.4	21.1	18.4	18.7	15.0	23.4	23.6	20.7	21.1	16.6	
	KW	1.55	1.57	1.56	1.57	1.54	1.55	1.56	1.55	1.56	1.54	1.55	1.55	1.55	1.55	1.54	
95	T.C.	18.7	19.7	20.0	22.2	25.1	20.5	21.0	21.0	23.6	26.2	22.2	22.3	22.0	24.9	27.2	
	S.C.	18.7	17.8	15.4	15.6	13.1	20.5	20.1	17.6	18.0	14.6	22.2	22.3	19.7	20.4	16.1	
	KW	1.75	1.77	1.76	1.76	1.73	1.75	1.76	1.75	1.75	1.75	1.73	1.75	1.75	1.75	1.72	
105	T.C.	17.9	18.7	18.9	21.2	23.8	19.6	19.9	19.9	22.4	24.8	21.3	21.2	20.9	23.6	25.8	
	S.C.	17.9	17.2	14.9	15.1	12.5	19.6	19.2	17.0	17.4	14.1	21.3	21.2	19.1	19.7	15.6	
	KW	2.00	1.70	2.02	2.00	1.97	1.99	1.85	2.00	1.99	1.97	1.98	2.00	1.99	1.98	1.96	
115	T.C.	17.1	17.7	17.8	20.2	22.5	18.7	18.9	18.8	21.3	23.5	20.4	20.1	19.7	22.3	24.4	
	S.C.	17.1	16.6	14.3	14.7	12.0	18.7	18.4	16.4	16.9	13.5	20.4	20.1	18.4	19.0	15.0	
	KW	2.25	1.63	2.27	2.23	2.21	2.24	1.94	2.25	2.22	2.20	2.22	2.24	2.24	2.21	2.20	
125	T.C.	16.4	16.7	16.8	19.2	21.2	17.9	17.9	17.7	20.1	22.1	19.4	19.1	18.6	21.1	23.0	
	S.C.	16.4	15.9	13.7	14.2	11.5	17.9	17.5	15.8	16.3	12.9	19.4	19.1	17.8	18.4	14.4	
	KW	2.50	1.56	2.53	2.47	2.44	2.48	2.02	2.51	2.46	2.44	2.46	2.49	2.49	2.45	2.44	

**NOTE:** ALL CAPACITIES INCLUDE INDOOR FAN HEAT. KW VALUES ARE FOR THE SYSTEM (OUTDOOR + INDOOR).

Green shaded cells are ACCA (TVA) conditions.

Blue shaded cells are AHRI conditions.

## Multipliers for determining the performance with other indoor sections.

**NOTE:** For dry bulb temperatures different than those listed (between 73-87 °F), sensible capacity increases by 1060 BTUH per 1000 CFM per degree above the listed temperature and decreases by 1060 BTUH per 1000 CFM per degree below the listed temperature.

**COIL MULTIPLIERS - 2 TON**

Air Handler	Coil	T.C.	S.C.	KW
AE30BX21	–	1.02	1.03	1.02
AE36BX21	–	1.01	1.02	1.01
AE36CX21	–	0.99	0.97	0.99
AP30BX21	–	0.98	1.01	1.04
AVC30BX21	–	1.02	1.04	1.02
AVC36BX21	–	1.00	1.00	1.00
AVC36CX21	–	1.02	1.06	1.02
ME08BN21	CF/CM30B	1.02	1.03	1.02
ME08BN21	CF/CM36B	1.02	1.04	1.02
ME12BN21	CF/CM30B	1.02	1.02	1.02
ME12BN21	CF/CM36B	1.02	1.03	1.02
ME12CN21	CF/CM30C	1.02	1.02	1.02
ME12CN21	CF/CM36C	1.01	1.02	1.01
ME16CN21	CF/CM30C	1.02	1.04	1.02
ME16CN21	CF/CM36C	1.02	1.05	1.02
MVC08BN21	CF/CM30B	1.01	0.99	1.01
MVC08BN21	CF/CM36B	0.99	0.98	0.99
MVC12BN21	CF/CM30B	1.02	1.06	1.02
MVC12BN21	CF/CM36B	1.02	1.06	1.02
MVC12CN21	CF/CM30C	1.02	1.02	1.02
MVC12CN21	CF/CM36C	1.02	1.03	1.02
MVC16CN21	CF/CM30C	1.02	1.04	1.02
MVC16CN21	CF/CM36C	1.02	1.04	1.02

**FURNACE MULTIPLIERS - 2 TON**

Furnaces	Coil	T.C.	S.C.	KW
TM8V060A12MP12C	CF/CM/CU30A	1.02	1.05	1.04
TM8V060A12MP12C	CF/CM/CU30B	1.02	1.04	1.00
TM8V060A12MP12C	CF/CM36A	1.01	1.04	1.01
TM8V060A12MP12C	CF/CM/CU36B	1.01	1.04	1.01
TM8V080B12MP12C	CF/CM/CU30B	1.02	1.04	1.04
TM8V080B12MP12C	CF/CM30C	1.02	1.04	1.02
TM8V080B12MP12C	CF/CM/CU36B	1.01	1.04	1.01
TM8V080B12MP12C	CF/CM/CU36C	1.01	1.04	1.01
TM8V080C16MP12C	CF/CM30C	1.02	1.06	1.02
TM8V080C16MP12C	CF/CM/CU36C	1.02	1.06	1.02
TM8V100C16MP12C	CF/CM30C	1.02	1.06	1.02
TM8V100C16MP12C	CF/CM/CU36C	1.02	1.06	1.02
TM8X060A12MP11	CF/CM/CU30A	1.02	1.04	1.06
TM8X060A12MP11	CF/CM/CU30B	1.02	1.07	1.00
TM8X060A12MP11	CF/CM36A	1.01	1.04	1.01
TM8X060A12MP11	CF/CM/CU36B	1.02	1.07	1.02
TM8X080B12MP11	CF/CM/CU30B	1.01	1.01	1.01
TM8X080B12MP11	CF/CM30C	1.02	1.02	1.02
TM8X080B12MP11	CF/CM/CU36B	0.99	0.99	0.99
TM8X080B12MP11	CF/CM/CU36C	1.00	1.01	1.00
TM8X080C16MP11	CF/CM/CU36C	0.97	0.92	1.00
TM8X100C16MP11	CF/CM/CU36C	0.97	0.92	1.00
TM8Y060A12MP11	CF/CM/CU30A	1.02	1.04	1.06
TM8Y060A12MP11	CF/CM/CU30B	1.02	1.07	1.00
TM8Y060A12MP11	CF/CM36A	1.01	1.04	1.01
TM8Y060A12MP11	CF/CM/CU36B	1.02	1.07	1.02
TM8Y080B12MP11	CF/CM/CU30B	1.01	1.01	1.01
TM8Y080B12MP11	CF/CM30C	1.02	1.02	1.02

**FURNACE MULTIPLIERS - 2 TON (Continued)**

Furnaces	Coil	T.C.	S.C.	KW
TM8Y080B12MP11	CF/CM/CU36B	0.99	0.99	0.99
TM8Y080B12MP11	CF/CM/CU36C	1.00	1.01	1.00
TM8Y080C16MP11	CF/CM/CU36C	0.97	0.92	1.00
TM8Y100C16MP11	CF/CM/CU36C	0.97	0.92	1.00
TM9E040A10MP11	CF/CM36A	0.97	0.97	1.09
TM9E040A10MP11	CF/CM/CU36B	0.98	0.99	1.05
TM9E060B12MP11	CF/CM/CU30B	1.02	1.07	1.02
TM9E060B12MP11	CF/CM30C	1.02	1.04	1.04
TM9E060B12MP11	CF/CM/CU36B	1.02	1.08	1.02
TM9E060B12MP11	CF/CM/CU36C	1.00	1.03	1.00
TM9E080B12MP11	CF/CM/CU30B	1.02	1.04	1.00
TM9E080B12MP11	CF/CM30C	1.02	1.05	1.02
TM9E080B12MP11	CF/CM/CU36B	1.01	1.04	1.01
TM9E080B12MP11	CF/CM/CU36C	1.02	1.06	1.02
TM9E080C16MP11	CF/CM/CU36C	0.94	0.86	1.00
TM9E100C16MP11	CF/CM/CU36C	0.96	0.89	1.02
TM9V040A10MP12C	CF/CM/CU30A	1.01	1.06	1.07
TM9V040A10MP12C	CF/CM/CU30B	1.02	1.06	1.06
TM9V040A10MP12C	CF/CM36A	0.99	1.04	1.06
TM9V040A10MP12C	CF/CM/CU36B	1.00	1.04	1.06
TM9V060B12MP12C	CF/CM/CU30B	1.02	1.04	1.04
TM9V060B12MP12C	CF/CM30C	1.02	1.04	1.02
TM9V060B12MP12C	CF/CM/CU36B	1.00	1.03	1.00
TM9V060B12MP12C	CF/CM/CU36C	1.01	1.04	1.01
TM9V080B12MP12C	CF/CM/CU30B	1.02	1.07	1.00
TM9V080B12MP12C	CF/CM30C	1.02	1.06	1.02
TM9V080B12MP12C	CF/CM/CU36B	1.02	1.07	1.02
TM9V080B12MP12C	CF/CM/CU36C	1.02	1.07	1.02
TM9V080C16MP12C	CF/CM30C	1.02	1.06	1.02
TM9V080C16MP12C	CF/CM/CU36C	1.02	1.06	0.98
TM9V100C16MP12C	CF/CM30C	1.02	1.03	1.02
TM9V100C16MP12C	CF/CM/CU36C	1.02	1.04	0.98
TM9Y040A10MP11	CF/CM36A	0.97	0.97	1.09
TM9Y040A10MP11	CF/CM/CU36B	0.98	0.99	1.05
TM9Y060B12MP11	CF/CM/CU30B	1.02	1.07	1.02
TM9Y060B12MP11	CF/CM30C	1.02	1.04	1.04
TM9Y060B12MP11	CF/CM/CU36B	1.02	1.08	1.02
TM9Y060B12MP11	CF/CM/CU36C	1.00	1.03	1.00
TM9Y080B12MP11	CF/CM/CU30B	1.02	1.04	1.00
TM9Y080B12MP11	CF/CM30C	1.02	1.05	1.02
TM9Y080B12MP11	CF/CM/CU36B	1.01	1.04	1.01
TM9Y080B12MP11	CF/CM/CU36C	1.02	1.06	1.02
TM9Y080C16MP11	CF/CM/CU36C	0.94	0.86	1.00
TM9Y100C16MP11	CF/CM/CU36C	0.96	0.89	1.02
TMLV060A12MP12C	CF/CM/CU30A	1.02	1.05	1.04
TMLV060A12MP12C	CF/CM/CU30B	1.02	1.04	1.00
TMLV060A12MP12C	CF/CM36A	1.01	1.04	1.01
TMLV060A12MP12C	CF/CM/CU36B	1.01	1.04	1.01
TMLV080B12MP12C	CF/CM/CU30B	1.02	1.04	1.04
TMLV080B12MP12C	CF/CM30C	1.02	1.04	1.02
TMLV080B12MP12C	CF/CM/CU36B	1.01	1.04	1.01
TMLV080B12MP12C	CF/CM/CU36C	1.01	1.04	1.01
TMLV080C16MP12C	CF/CM30C	1.02	1.06	1.02
TMLV080C16MP12C	CF/CM/CU36C	1.02	1.06	1.02
TMLV100C16MP12C	CF/CM30C	1.02	1.06	1.02

**FURNACE MULTIPLIERS - 2 TON (Continued)**

Furnaces	Coil	T.C.	S.C.	KW
TMLV100C16MP12C	CF/CM/CU36C	1.02	1.06	1.02
TMLX060A12MP11	CF/CM/CU30A	1.02	1.04	1.06
TMLX060A12MP11	CF/CM/CU30B	1.02	1.07	1.00
TMLX060A12MP11	CF/CM36A	1.01	1.04	1.01
TMLX060A12MP11	CF/CM/CU36B	1.02	1.07	1.02
TMLX080B12MP11	CF/CM/CU30B	1.01	1.01	1.01
TMLX080B12MP11	CF/CM30C	1.02	1.02	1.02
TMLX080B12MP11	CF/CM/CU36B	0.99	0.99	0.99
TMLX080B12MP11	CF/CM/CU36C	1.00	1.01	1.00
TMLX080C16MP11	CF/CM/CU36C	0.97	0.92	1.00
TMLX100C16MP11	CF/CM/CU36C	0.97	0.92	1.00
TP9C060B12MP13C	CF/CM/CU30B	1.02	1.04	1.04
TP9C060B12MP13C	CF/CM30C	1.02	1.04	1.02
TP9C060B12MP13C	CF/CM/CU36B	1.00	1.03	1.00
TP9C060B12MP13C	CF/CM/CU36C	1.01	1.04	1.01
TP9C080B12MP13C	CF/CM/CU30B	1.02	1.07	1.00
TP9C080B12MP13C	CF/CM30C	1.02	1.06	1.02
TP9C080B12MP13C	CF/CM/CU36B	1.02	1.07	1.02
TP9C080B12MP13C	CF/CM/CU36C	1.02	1.07	1.02
TP9C080C16MP13C	CF/CM30C	1.02	1.06	1.02
TP9C080C16MP13C	CF/CM/CU36C	1.02	1.06	0.98
TP9C100C16MP13C	CF/CM30C	1.02	1.03	1.02
TP9C100C16MP13C	CF/CM/CU36C	1.02	1.04	0.98
TPLC060A12MP13C	CF/CM/CU30A	1.02	1.05	1.04
TPLC060A12MP13C	CF/CM/CU30B	1.02	1.04	1.00
TPLC060A12MP13C	CF/CM36A	1.01	1.04	1.01
TPLC060A12MP13C	CF/CM/CU36B	1.01	1.04	1.01
TPLC080B12MP13C	CF/CM/CU30B	1.02	1.04	1.04
TPLC080B12MP13C	CF/CM30C	1.02	1.04	1.02
TPLC080B12MP13C	CF/CM/CU36B	1.01	1.04	1.01
TPLC080B12MP13C	CF/CM/CU36C	1.01	1.04	1.01

**FURNACE MULTIPLIERS - 2 TON (Continued)**

Furnaces	Coil	T.C.	S.C.	KW
TPLC080C16MP13C	CF/CM30C	1.02	1.06	1.02
TPLC080C16MP13C	CF/CM/CU36C	1.02	1.06	1.02
TPLC100C16MP13C	CF/CM30C	1.02	1.06	1.02
TPLC100C16MP13C	CF/CM/CU36C	1.02	1.06	1.02
YP9C060B12MP13C	CF/CM/CU30B	1.02	1.04	1.04
YP9C060B12MP13C	CF/CM30C	1.02	1.04	1.02
YP9C060B12MP13C	CF/CM/CU36B	1.00	1.03	1.00
YP9C060B12MP13C	CF/CM/CU36C	1.01	1.04	1.01
YP9C080B12MP13C	CF/CM/CU30B	1.02	1.07	1.00
YP9C080B12MP13C	CF/CM30C	1.02	1.06	1.02
YP9C080B12MP13C	CF/CM/CU36B	1.02	1.07	1.02
YP9C080B12MP13C	CF/CM/CU36C	1.02	1.07	1.02
YP9C080C16MP13C	CF/CM30C	1.02	1.06	1.02
YP9C080C16MP13C	CF/CM/CU36C	1.02	1.06	0.98
YP9C100C16MP13C	CF/CM30C	1.02	1.03	1.02
YP9C100C16MP13C	CF/CM/CU36C	1.02	1.04	0.98
YPLC060A12MP13C	CF/CM/CU30A	1.02	1.05	1.04
YPLC060A12MP13C	CF/CM/CU30B	1.02	1.04	1.00
YPLC060A12MP13C	CF/CM36A	1.01	1.04	1.01
YPLC060A12MP13C	CF/CM/CU36B	1.01	1.04	1.01
YPLC080B12MP13C	CF/CM/CU30B	1.02	1.04	1.04
YPLC080B12MP13C	CF/CM30C	1.02	1.04	1.02
YPLC080B12MP13C	CF/CM/CU36B	1.01	1.04	1.01
YPLC080B12MP13C	CF/CM/CU36C	1.01	1.04	1.01
YPLC080C16MP13C	CF/CM30C	1.02	1.06	1.02
YPLC080C16MP13C	CF/CM/CU36C	1.02	1.06	1.02
YPLC100C16MP13C	CF/CM30C	1.02	1.06	1.02
YPLC100C16MP13C	CF/CM/CU36C	1.02	1.06	1.02

HEATING PERFORMANCE DATA										
CONDENSING UNIT MODEL NO		YHG24B21S								
AIR TEMP. ENTERING OUTDOOR UNIT (°F)	AIR TEMP. ENTERING INDOOR COIL (°F)	ID CFM								
		635			835			1035		
		MBH	COP	KW	MBH	COP	KW	MBH	COP	KW
60	60	27.4	4.49	1.79	27.9	5.04	1.64	28.4	5.58	1.49
	70	26.9	3.96	2.02	27.3	4.43	1.85	27.7	4.91	1.68
	80	26.3	3.42	2.25	26.7	3.83	2.06	27.1	4.24	1.88
47	60	23.3	3.97	1.72	23.5	4.35	1.60	23.7	4.72	1.47
	70	22.9	3.51	1.94	23.1	3.85	1.80	23.4	4.19	1.66
	80	22.4	3.05	2.15	22.7	3.35	2.00	23.1	3.66	1.85
40	60	21.1	3.69	1.68	21.4	4.03	1.57	21.7	4.37	1.46
	70	20.7	3.23	1.91	21.0	3.53	1.78	21.2	3.83	1.65
	80	20.2	2.77	2.14	20.5	3.04	1.99	20.7	3.30	1.84
30	60	17.9	3.21	1.63	17.9	3.45	1.53	17.9	3.69	1.43
	70	17.6	2.84	1.85	17.6	3.04	1.73	17.5	3.23	1.62
	80	17.4	2.47	2.07	17.3	2.62	1.94	17.1	2.77	1.81
17	60	14.3	2.64	1.59	14.4	2.80	1.51	14.5	2.96	1.44
	70	14.1	2.35	1.79	14.3	2.50	1.70	14.4	2.65	1.61
	80	14.0	2.06	1.98	14.1	2.20	1.88	14.2	2.34	1.78
10	60	12.2	2.39	1.49	12.2	2.49	1.43	12.15	2.59	1.38
	70	12.0	2.11	1.68	12.0	2.22	1.61	12.0	2.32	1.53
	80	11.8	1.84	1.88	11.8	1.95	1.79	11.9	2.06	1.69
0	60	9.3	1.80	1.50	9.3	1.88	1.44	9.3	1.95	1.38
	70	9.2	1.59	1.69	9.2	1.67	1.62	9.2	1.75	1.54
	80	9.0	1.38	1.89	9.1	1.47	1.79	9.1	1.55	1.70
-10	60	6.4	1.25	1.47	6.3	1.30	1.41	6.3	1.35	1.36
	70	6.3	1.10	1.66	6.3	1.16	1.59	6.3	1.21	1.51
	80	6.2	0.96	1.85	6.2	1.02	1.76	6.2	1.08	1.67
-20	60	3.4	0.67	1.44	3.4	0.70	1.38	3.3	0.73	1.33
	70	3.3	0.59	1.63	3.3	0.62	1.56	3.3	0.65	1.48
	80	3.2	0.52	1.82	3.3	0.55	1.73	3.3	0.58	1.64

**NOTE:** ALL CAPACITIES INCLUDE INDOOR FAN HEAT. KW VALUES ARE FOR THE SYSTEM (OUTDOOR + INDOOR).

Yellow shaded cells are AHRI High Heating conditions.

Orange shaded cells are AHRI Low Heating conditions.

**Multipliers for determining the performance with other indoor sections.**

#### COIL MULTIPLIERS - 2 TON

Air Handler	Coil	MBH	COP	KW
AE30BX21	–	0.99	1.01	0.99
AE36BX21	–	1.00	1.05	0.95
AE36CX21	–	0.99	1.07	0.93
AP30BX21	–	1.02	0.99	1.02
AVC30BX21	–	0.99	0.98	1.01
AVC36BX21	–	1.00	1.00	1.00
AVC36CX21	–	1.00	1.13	0.89
ME08BN21	CF/CM30B	0.99	0.98	1.01
ME08BN21	CF/CM36B	1.00	1.06	0.94
ME12BN21	CF/CM30B	0.98	0.97	1.01
ME12BN21	CF/CM36B	1.00	1.05	0.95
ME12CN21	CF/CM30C	0.98	0.96	1.03

#### COIL MULTIPLIERS - 2 TON

Air Handler	Coil	MBH	COP	KW
ME12CN21	CF/CM36C	0.99	1.04	0.96
ME16CN21	CF/CM30C	0.99	1.02	0.98
ME16CN21	CF/CM36C	1.00	1.10	0.91
MVC08BN21	CF/CM30B	0.98	0.92	1.07
MVC08BN21	CF/CM36B	0.99	0.99	1.00
MVC12BN21	CF/CM30B	0.99	1.03	0.96
MVC12BN21	CF/CM36B	1.01	1.11	0.90
MVC12CN21	CF/CM30C	0.98	0.98	1.00
MVC12CN21	CF/CM36C	0.99	1.07	0.93
MVC16CN21	CF/CM30C	0.98	1.02	0.96
MVC16CN21	CF/CM36C	1.00	1.10	0.91

## FURNACE MULTIPLIERS - 2 TON

Furnaces	Coil	MBH	COP	KW
TM8V060A12MP12C	CF/CM/CU30A	1.00	0.95	1.05
TM8V060A12MP12C	CF/CM/CU30B	0.99	0.97	1.02
TM8V060A12MP12C	CF/CM36A	1.01	1.04	0.97
TM8V060A12MP12C	CF/CM/CU36B	1.01	1.05	0.96
TM8V080B12MP12C	CF/CM/CU30B	1.00	0.96	1.04
TM8V080B12MP12C	CF/CM30C	1.00	0.96	1.04
TM8V080B12MP12C	CF/CM/CU36B	1.01	1.04	0.97
TM8V080B12MP12C	CF/CM/CU36C	1.01	1.04	0.97
TM8V080C16MP12C	CF/CM30C	0.99	1.03	0.97
TM8V080C16MP12C	CF/CM/CU36C	1.01	1.10	0.91
TM8V100C16MP12C	CF/CM30C	0.99	1.03	0.97
TM8V100C16MP12C	CF/CM/CU36C	1.01	1.10	0.91
TM8X060A12MP11	CF/CM/CU30A	1.00	0.93	1.07
TM8X060A12MP11	CF/CM/CU30B	1.00	1.00	1.00
TM8X060A12MP11	CF/CM36A	1.02	1.03	0.99
TM8X060A12MP11	CF/CM/CU36B	1.02	1.08	0.94
TM8X080B12MP11	CF/CM/CU30B	0.98	0.92	1.07
TM8X080B12MP11	CF/CM30C	0.98	0.94	1.04
TM8X080B12MP11	CF/CM/CU36B	1.00	1.00	1.00
TM8X080B12MP11	CF/CM/CU36C	1.00	1.02	0.98
TM8X080C16MP11	CF/CM/CU36C	0.98	0.92	1.07
TM8X100C16MP11	CF/CM/CU36C	0.98	0.92	1.07
TM8Y060A12MP11	CF/CM/CU30A	1.00	0.93	1.07
TM8Y060A12MP11	CF/CM/CU30B	1.00	1.00	1.00
TM8Y060A12MP11	CF/CM36A	1.02	1.03	0.99
TM8Y060A12MP11	CF/CM/CU36B	1.02	1.08	0.94
TM8Y080B12MP11	CF/CM/CU30B	0.98	0.92	1.07
TM8Y080B12MP11	CF/CM30C	0.98	0.94	1.04
TM8Y080B12MP11	CF/CM/CU36B	1.00	1.00	1.00
TM8Y080B12MP11	CF/CM/CU36C	1.00	1.02	0.98
TM8Y080C16MP11	CF/CM/CU36C	0.98	0.92	1.07
TM8Y100C16MP11	CF/CM/CU36C	0.98	0.92	1.07
TM9E040A10MP11	CF/CM36A	1.01	0.92	1.10
TM9E040A10MP11	CF/CM/CU36B	1.02	0.96	1.06
TM9E060B12MP11	CF/CM/CU30B	1.01	0.98	1.02
TM9E060B12MP11	CF/CM30C	0.99	0.94	1.05
TM9E060B12MP11	CF/CM/CU36B	1.02	1.06	0.96
TM9E060B12MP11	CF/CM/CU36C	1.01	1.02	0.99
TM9E080B12MP11	CF/CM/CU30B	0.99	0.97	1.02
TM9E080B12MP11	CF/CM30C	0.99	0.99	1.00
TM9E080B12MP11	CF/CM/CU36B	1.01	1.05	0.96
TM9E080B12MP11	CF/CM/CU36C	1.01	1.07	0.94
TM9E080C16MP11	CF/CM/CU36C	0.97	0.86	1.13
TM9E100C16MP11	CF/CM/CU36C	0.98	0.89	1.10
TM9V040A10MP12C	CF/CM/CU30A	1.02	0.92	1.10
TM9V040A10MP12C	CF/CM/CU30B	1.01	0.94	1.08
TM9V040A10MP12C	CF/CM36A	1.03	0.99	1.03
TM9V040A10MP12C	CF/CM/CU36B	1.02	1.01	1.01
TM9V060B12MP12C	CF/CM/CU30B	0.99	0.94	1.05
TM9V060B12MP12C	CF/CM30C	1.00	0.96	1.04
TM9V060B12MP12C	CF/CM/CU36B	1.01	1.02	0.99
TM9V060B12MP12C	CF/CM/CU36C	1.01	1.04	0.97
TM9V080B12MP12C	CF/CM/CU30B	1.00	1.01	0.99
TM9V080B12MP12C	CF/CM30C	1.00	1.01	0.99
TM9V080B12MP12C	CF/CM/CU36B	1.02	1.08	0.94

## FURNACE MULTIPLIERS - 2 TON (Continued)

Furnaces	Coil	MBH	COP	KW
TM9V080B12MP12C	CF/CM/CU36C	1.01	1.09	0.92
TM9V080C16MP12C	CF/CM30C	0.99	1.02	0.97
TM9V080C16MP12C	CF/CM/CU36C	1.01	1.10	0.92
TM9V100C16MP12C	CF/CM30C	0.99	0.98	1.01
TM9V100C16MP12C	CF/CM/CU36C	1.00	1.07	0.94
TM9Y040A10MP11	CF/CM36A	1.01	0.92	1.10
TM9Y040A10MP11	CF/CM/CU36B	1.02	0.96	1.06
TM9Y060B12MP11	CF/CM/CU30B	1.01	0.98	1.02
TM9Y060B12MP11	CF/CM30C	0.99	0.94	1.05
TM9Y060B12MP11	CF/CM/CU36B	1.02	1.06	0.96
TM9Y060B12MP11	CF/CM/CU36C	1.01	1.02	0.99
TM9Y080B12MP11	CF/CM/CU30B	0.99	0.97	1.02
TM9Y080B12MP11	CF/CM30C	0.99	0.99	1.00
TM9Y080B12MP11	CF/CM/CU36B	1.01	1.05	0.96
TM9Y080B12MP11	CF/CM/CU36C	1.01	1.07	0.94
TM9Y080C16MP11	CF/CM/CU36C	0.97	0.86	1.13
TM9Y100C16MP11	CF/CM/CU36C	0.98	0.89	1.10
TMLV060A12MP12C	CF/CM/CU30A	1.00	0.95	1.05
TMLV060A12MP12C	CF/CM/CU30B	0.99	0.97	1.02
TMLV060A12MP12C	CF/CM36A	1.01	1.04	0.97
TMLV060A12MP12C	CF/CM/CU36B	1.01	1.05	0.96
TMLV080B12MP12C	CF/CM/CU30B	1.00	0.96	1.04
TMLV080B12MP12C	CF/CM30C	1.00	0.96	1.04
TMLV080B12MP12C	CF/CM/CU36B	1.01	1.04	0.97
TMLV080B12MP12C	CF/CM/CU36C	1.01	1.04	0.97
TMLV080C16MP12C	CF/CM30C	0.99	1.03	0.97
TMLV080C16MP12C	CF/CM/CU36C	1.01	1.10	0.91
TMLV100C16MP12C	CF/CM30C	0.99	1.03	0.97
TMLV100C16MP12C	CF/CM/CU36C	1.01	1.10	0.91
TMLX060A12MP11	CF/CM/CU30A	1.00	0.93	1.07
TMLX060A12MP11	CF/CM/CU30B	1.00	1.00	1.00
TMLX060A12MP11	CF/CM36A	1.02	1.03	0.99
TMLX060A12MP11	CF/CM/CU36B	1.02	1.08	0.94
TMLX080B12MP11	CF/CM/CU30B	0.98	0.92	1.07
TMLX080B12MP11	CF/CM30C	0.98	0.94	1.04
TMLX080B12MP11	CF/CM/CU36B	1.00	1.00	1.00
TMLX080B12MP11	CF/CM/CU36C	1.00	1.02	0.98
TMLX080C16MP11	CF/CM/CU36C	0.98	0.92	1.07
TMLX100C16MP11	CF/CM/CU36C	0.98	0.92	1.07
TP9C060B12MP13C	CF/CM/CU30B	0.99	0.94	1.05
TP9C060B12MP13C	CF/CM30C	1.00	0.96	1.04
TP9C060B12MP13C	CF/CM/CU36B	1.01	1.02	0.99
TP9C060B12MP13C	CF/CM/CU36C	1.01	1.04	0.97
TP9C080B12MP13C	CF/CM/CU30B	1.00	1.01	0.99
TP9C080B12MP13C	CF/CM30C	1.00	1.01	0.99
TP9C080B12MP13C	CF/CM/CU36B	1.02	1.08	0.94
TP9C080B12MP13C	CF/CM/CU36C	1.01	1.09	0.92
TP9C080C16MP13C	CF/CM30C	0.99	1.02	0.97
TP9C080C16MP13C	CF/CM/CU36C	1.01	1.10	0.92
TP9C100C16MP13C	CF/CM30C	0.99	0.98	1.01
TP9C100C16MP13C	CF/CM/CU36C	1.00	1.07	0.94
TPLC060A12MP13C	CF/CM/CU30A	1.00	0.95	1.05
TPLC060A12MP13C	CF/CM/CU30B	0.99	0.97	1.02
TPLC060A12MP13C	CF/CM36A	1.01	1.04	0.97
TPLC060A12MP13C	CF/CM/CU36B	1.01	1.05	0.96

**FURNACE MULTIPLIERS - 2 TON (Continued)**

Furnaces	Coil	MBH	COP	KW
TPLC080B12MP13C	CF/CM/CU30B	1.00	0.96	1.04
TPLC080B12MP13C	CF/CM30C	1.00	0.96	1.04
TPLC080B12MP13C	CF/CM/CU36B	1.01	1.04	0.97
TPLC080B12MP13C	CF/CM/CU36C	1.01	1.04	0.97
TPLC080C16MP13C	CF/CM30C	0.99	1.03	0.97
TPLC080C16MP13C	CF/CM/CU36C	1.01	1.10	0.91
TPLC100C16MP13C	CF/CM30C	0.99	1.03	0.97
TPLC100C16MP13C	CF/CM/CU36C	1.01	1.10	0.91
YP9C060B12MP13C	CF/CM/CU30B	0.99	0.94	1.05
YP9C060B12MP13C	CF/CM30C	1.00	0.96	1.04
YP9C060B12MP13C	CF/CM/CU36B	1.01	1.02	0.99
YP9C060B12MP13C	CF/CM/CU36C	1.01	1.04	0.97
YP9C080B12MP13C	CF/CM/CU30B	1.00	1.01	0.99
YP9C080B12MP13C	CF/CM30C	1.00	1.01	0.99
YP9C080B12MP13C	CF/CM/CU36B	1.02	1.08	0.94
YP9C080B12MP13C	CF/CM/CU36C	1.01	1.09	0.92
YP9C080C16MP13C	CF/CM30C	0.99	1.02	0.97

**FURNACE MULTIPLIERS - 2 TON (Continued)**

Furnaces	Coil	MBH	COP	KW
YP9C080C16MP13C	CF/CM/CU36C	1.01	1.10	0.92
YP9C100C16MP13C	CF/CM30C	0.99	0.98	1.01
YP9C100C16MP13C	CF/CM/CU36C	1.00	1.07	0.94
YPLC060A12MP13C	CF/CM/CU30A	1.00	0.95	1.05
YPLC060A12MP13C	CF/CM/CU30B	0.99	0.97	1.02
YPLC060A12MP13C	CF/CM36A	1.01	1.04	0.97
YPLC060A12MP13C	CF/CM/CU36B	1.01	1.05	0.96
YPLC080B12MP13C	CF/CM/CU30B	1.00	0.96	1.04
YPLC080B12MP13C	CF/CM30C	1.00	0.96	1.04
YPLC080B12MP13C	CF/CM/CU36B	1.01	1.04	0.97
YPLC080B12MP13C	CF/CM/CU36C	1.01	1.04	0.97
YPLC080C16MP13C	CF/CM30C	0.99	1.03	0.97
YPLC080C16MP13C	CF/CM/CU36C	1.01	1.10	0.91
YPLC100C16MP13C	CF/CM30C	0.99	1.03	0.97
YPLC100C16MP13C	CF/CM/CU36C	1.01	1.10	0.91

**PERFORMANCE DATA - 2.5 TON**

CONDENSER-ONLY DATA (OUTDOOR UNIT)																
MODEL	SATURATED SUCTION @ COMPRESSOR		Outdoor Ambient Temperature													
			65 °F		75 °F		85 °F		95 °F		105 °F		115 °F		125 °F	
	T (°F)	P (PSIG)	MBH	KW	MBH	KW	MBH	KW	MBH	KW	MBH	KW	MBH	KW	MBH	KW
YHG30B21S	35	107	26.3	1.33	25.1	1.55	23.8	1.77	22.6	1.99	21.3	2.22	20.0	2.44	18.8	2.66
	40	119	29.7	1.33	28.2	1.56	26.7	1.78	25.3	2.01	23.8	2.24	22.3	2.47	20.8	2.69
	45	130	33.0	1.33	31.3	1.56	29.6	1.79	27.9	2.03	26.3	2.26	24.6	2.50	22.9	2.73
	50	143	36.3	1.32	34.4	1.56	32.5	1.80	30.6	2.04	28.7	2.29	26.8	2.53	24.9	2.77
	55	156	39.7	1.32	37.6	1.57	35.4	1.81	33.3	2.06	31.2	2.31	29.1	2.56	27.0	2.80
	60	170	43.0	1.32	40.7	1.57	38.4	1.82	36.0	2.08	33.7	2.33	31.4	2.59	29.0	2.84

**Notes:**

- For Outdoor Unit (Condenser) performance only. Data does not include the effects of air handler power or heat.
- Performance based on 15°F subcooling and 15°F superheat at the Outdoor Unit base valves.
  - Increase capacity by 1% for each 2°F increase in subcooling.
  - Decrease capacity by 1% for each 2°F decrease in subcooling.
- Maximum recommended condensing temperature is 140°F.

COOLING PERFORMANCE DATA																
AIR CONDITIONER MODEL NO.		YHG30B21S														
AIR TEMP. ENTERING OUTDOOR UNIT (°F)	IDCFM	800					1000					1200				
	ID DB (°F)	80	80	75	80	80	80	80	75	80	80	80	80	75	80	80
	ID WB (°F)	57	62	62	67	72	57	62	62	67	72	57	62	62	67	72
65	T.C.	28.1	30.7	30.7	33.5	36.3	29.7	32.0	31.8	34.7	37.2	31.3	33.3	32.9	35.9	38.2
	S.C.	27.3	25.2	21.9	21.7	17.9	28.9	27.8	23.8	23.7	19.1	30.5	30.4	25.8	25.6	20.3
	KW	1.58	1.58	1.59	1.59	1.60	1.65	1.65	1.65	1.66	1.66	1.72	1.71	1.72	1.72	1.73
75	T.C.	27.0	29.4	29.4	32.4	35.2	28.6	30.6	30.5	33.6	36.3	30.1	31.8	31.6	34.8	37.3
	S.C.	26.3	24.5	21.4	21.2	17.5	27.8	27.0	23.4	23.3	18.8	29.4	29.5	25.4	25.3	20.1
	KW	1.73	1.74	1.74	1.75	1.75	1.80	1.80	1.81	1.82	1.82	1.87	1.87	1.88	1.88	1.88
85	T.C.	25.9	28.1	28.0	30.8	33.8	27.5	29.3	29.0	31.9	34.7	29.1	30.5	30.0	33.0	35.7
	S.C.	25.2	23.9	20.7	20.7	17.0	26.8	26.4	22.7	22.7	18.3	28.3	28.8	24.6	24.7	19.6
	KW	1.95	1.96	1.96	1.97	1.96	2.02	2.02	2.02	2.03	2.03	2.09	2.08	2.09	2.10	2.09
95	T.C.	24.8	26.8	26.6	29.3	32.3	26.4	28.0	27.6	30.2	33.2	28.1	29.2	28.5	31.2	34.1
	S.C.	24.2	23.3	20.0	20.1	16.6	25.7	25.7	21.9	22.1	17.8	27.3	28.1	23.9	24.1	19.1
	KW	2.17	2.18	2.18	2.19	2.17	2.23	2.24	2.24	2.25	2.24	2.30	2.30	2.29	2.31	2.30
105	T.C.	24.0	25.5	25.5	27.8	30.8	25.4	26.7	26.3	28.7	31.7	26.8	28.0	27.0	29.6	32.5
	S.C.	23.4	22.6	19.5	19.4	16.0	24.7	24.7	21.3	21.4	17.2	26.1	26.8	23.2	23.4	18.5
	KW	2.44	2.44	2.37	2.44	2.44	2.50	2.50	2.46	2.51	2.50	2.56	2.57	2.55	2.57	2.56
115	T.C.	23.2	24.3	24.5	26.4	29.3	24.4	25.5	25.0	27.3	30.1	25.6	26.8	25.5	28.1	31.0
	S.C.	22.6	21.8	19.1	18.8	15.3	23.7	23.6	20.8	20.8	16.6	24.9	25.4	22.4	22.7	17.8
	KW	2.71	2.70	2.55	2.70	2.71	2.76	2.77	2.68	2.76	2.77	2.82	2.84	2.81	2.83	2.82
125	T.C.	22.4	23.0	23.4	25.0	27.8	23.4	24.3	23.7	25.8	28.6	24.4	25.5	24.1	26.6	29.4
	S.C.	21.8	21.1	18.6	18.2	14.7	22.7	22.6	20.2	20.1	15.9	23.7	24.1	21.7	22.1	17.2
	KW	2.98	2.96	2.74	2.96	2.98	3.03	3.03	2.91	3.02	3.03	3.08	3.11	3.07	3.08	3.08

NOTE: ALL CAPACITIES INCLUDE INDOOR FAN HEAT. KW VALUES ARE FOR THE SYSTEM (OUTDOOR + INDOOR).

Green shaded cells are ACCA (TVA) conditions.

Blue shaded cells are AHRI conditions.

### Multipliers for determining the performance with other indoor sections.

NOTE: For dry bulb temperatures different than those listed (between 73-87 °F), sensible capacity increases by 1060 BTUH per 1000 CFM per degree above the listed temperature and decreases by 1060 BTUH per 1000 CFM per degree below the listed temperature.

### COIL MULTIPLIERS - 2.5 TON

Air Handler	Coil	T.C.	S.C.	KW
-	CF/CM/CU30A	0.96	0.92	0.96
-	CF/CM/CU30B	0.98	0.98	0.98
-	CF/CM/30C	0.98	0.98	0.98
AE30BX21	-	1.00	1.02	1.00
AE36BX21	-	1.00	1.00	1.00
AE36CX21	-	1.00	1.01	1.00
AP30BX21	-	1.00	1.00	1.06
AVC30BX21	-	1.00	1.01	1.00
AVC36BX21	-	1.00	1.00	1.00
AVC36CX21	-	1.00	0.99	1.00
ME12BN21	CF/CM/30B	1.00	0.99	1.00

### COIL MULTIPLIERS - 2.5 TON

Air Handler	Coil	T.C.	S.C.	KW
ME12BN21	CF/CM/36B	1.00	0.98	1.00
ME12CN21	CF/CM/30C	1.00	0.98	1.00
ME12CN21	CF/CM/36C	1.00	0.96	1.00
ME16CN21	CF/CM/30C	1.00	1.01	1.00
ME16CN21	CF/CM/36C	1.00	0.99	1.00
MVC12BN21	CF/CM/30B	1.00	1.01	1.00
MVC12BN21	CF/CM/36B	1.00	0.99	1.00
MVC12CN21	CF/CM/30C	1.00	1.02	1.00
MVC12CN21	CF/CM/36C	1.00	1.00	1.00
MVC16CN21	CF/CM/30C	1.00	1.01	1.00
MVC16CN21	CF/CM/36C	1.00	1.00	1.00



## FURNACE MULTIPLIERS - 2.5 TON

Furnaces	Coil	T.C.	S.C.	KW
TM8V060A12MP12C	CF/CM/CU30A	0.99	0.97	0.99
TM8V060A12MP12C	CF/CM/CU30B	1.00	1.03	1.00
TM8V060A12MP12C	CF/CM36A	1.00	1.00	1.06
TM8V060A12MP12C	CF/CM/CU36B	0.99	0.95	0.99
TM8V080B12MP12C	CF/CM/CU30B	0.99	0.99	0.99
TM8V080B12MP12C	CF/CM30C	1.00	1.03	1.00
TM8V080B12MP12C	CF/CM/CU36B	0.99	0.94	0.99
TM8V080B12MP12C	CF/CM/CU36C	1.00	0.98	1.04
TM8V080C16MP12C	CF/CM30C	1.00	1.02	1.00
TM8V080C16MP12C	CF/CM/CU36C	1.00	0.98	1.00
TM8V100C16MP12C	CF/CM30C	1.00	1.02	1.00
TM8V100C16MP12C	CF/CM/CU36C	1.00	0.98	1.00
TM8V100C20MP12C	CF/CM30C	1.00	1.02	1.00
TM8V100C20MP12C	CF/CM/CU36C	1.00	1.00	1.00
TM8V120C20MP12C	CF/CM30C	1.00	1.02	1.00
TM8V120C20MP12C	CF/CM/CU36C	1.00	1.00	1.00
TM8X060A12MP11	CF/CM/CU30A	0.98	0.94	0.98
TM8X060A12MP11	CF/CM/CU30B	1.00	1.03	1.00
TM8X060A12MP11	CF/CM36A	1.00	1.00	1.06
TM8X060A12MP11	CF/CM/CU36B	1.00	1.02	1.04
TM8X080B12MP11	CF/CM/CU30B	1.00	1.04	1.00
TM8X080B12MP11	CF/CM30C	1.00	1.05	1.00
TM8X080B12MP11	CF/CM/CU36B	1.00	0.96	1.00
TM8X080B12MP11	CF/CM/CU36C	1.00	0.97	1.00
TM8X080C16MP11	CF/CM30C	1.00	1.02	1.00
TM8X080C16MP11	CF/CM/CU36C	1.00	1.01	1.00
TM8X100C16MP11	CF/CM30C	1.00	1.02	1.00
TM8X100C16MP11	CF/CM/CU36C	1.00	1.01	1.00
TM8X100C20MP11	CF/CM30C	1.00	0.98	1.00
TM8X100C20MP11	CF/CM/CU36C	1.00	0.96	1.00
TM8X120C20MP11	CF/CM30C	1.00	0.98	1.00
TM8X120C20MP11	CF/CM/CU36C	1.00	0.96	1.00
TM8Y060A12MP11	CF/CM/CU30A	0.98	0.94	0.98
TM8Y060A12MP11	CF/CM/CU30B	1.00	1.03	1.00
TM8Y060A12MP11	CF/CM36A	1.00	1.00	1.06
TM8Y060A12MP11	CF/CM/CU36B	1.00	1.02	1.04
TM8Y080B12MP11	CF/CM/CU30B	1.00	1.04	1.00
TM8Y080B12MP11	CF/CM30C	1.00	1.05	1.00
TM8Y080B12MP11	CF/CM/CU36B	1.00	0.96	1.00
TM8Y080B12MP11	CF/CM/CU36C	1.00	0.97	1.00
TM8Y080C16MP11	CF/CM30C	1.00	1.02	1.00
TM8Y080C16MP11	CF/CM/CU36C	1.00	1.01	1.00
TM8Y100C16MP11	CF/CM30C	1.00	1.02	1.00
TM8Y100C16MP11	CF/CM/CU36C	1.00	1.01	1.00
TM8Y100C20MP11	CF/CM30C	1.00	0.98	1.00
TM8Y100C20MP11	CF/CM/CU36C	1.00	0.96	1.00
TM8Y120C20MP11	CF/CM30C	1.00	0.98	1.00
TM8Y120C20MP11	CF/CM/CU36C	1.00	0.96	1.00
TM9E040A10MP11	CF/CM/CU30A	0.95	0.89	0.95
TM9E040A10MP11	CF/CM/CU30B	0.97	0.91	0.97
TM9E040A10MP11	CF/CM36A	0.97	0.90	1.03
TM9E040A10MP11	CF/CM/CU36B	0.97	0.90	1.03
TM9E060B12MP11	CF/CM/CU30B	1.00	1.03	1.00
TM9E060B12MP11	CF/CM30C	1.00	1.03	1.00
TM9E060B12MP11	CF/CM/CU36B	0.99	0.96	0.99
TM9E060B12MP11	CF/CM/CU36C	1.00	0.97	1.00
TM9E080B12MP11	CF/CM/CU30B	1.00	1.03	1.00
TM9E080B12MP11	CF/CM30C	1.00	1.04	1.00
TM9E080B12MP11	CF/CM/CU36B	0.99	0.93	0.99
TM9E080B12MP11	CF/CM/CU36C	1.00	0.97	1.00
TM9E080C16MP11	CF/CM30C	1.00	1.02	1.00
TM9E080C16MP11	CF/CM/CU36C	1.00	0.96	1.00
TM9E100C16MP11	CF/CM30C	1.00	1.03	1.00
TM9E100C16MP11	CF/CM/CU36C	1.00	0.96	1.00
TM9E100C20MP11	CF/CM30C	1.00	1.03	1.00
TM9E100C20MP11	CF/CM/CU36C	1.00	1.02	1.00
TMLV060A12MP12C	CF/CM/CU30A	0.99	0.97	0.99
TMLV060A12MP12C	CF/CM/CU30B	1.00	1.03	1.00
TMLV060A12MP12C	CF/CM36A	1.00	1.00	1.06
TMLV060A12MP12C	CF/CM/CU36B	0.99	0.95	0.99
TMLV080B12MP12C	CF/CM/CU30B	0.99	0.99	0.99
TMLV080B12MP12C	CF/CM30C	1.00	1.03	1.00
TMLV080B12MP12C	CF/CM/CU36B	0.99	0.94	0.99
TMLV080B12MP12C	CF/CM/CU36C	1.00	0.98	1.04

## FURNACE MULTIPLIERS - 2.5 TON (Continued)

Furnaces	Coil	T.C.	S.C.	KW
TM9E060B12MP11	CF/CM/CU36C	1.00	0.97	1.00
TM9E080B12MP11	CF/CM/CU30B	1.00	1.03	1.00
TM9E080B12MP11	CF/CM30C	1.00	1.04	1.00
TM9E080B12MP11	CF/CM/CU36B	0.99	0.93	0.99
TM9E080B12MP11	CF/CM/CU36C	1.00	0.97	1.00
TM9E080C16MP11	CF/CM30C	1.00	1.02	1.00
TM9E080C16MP11	CF/CM/CU36C	1.00	0.96	1.00
TM9E100C16MP11	CF/CM30C	1.00	1.03	1.00
TM9E100C16MP11	CF/CM/CU36C	1.00	0.96	1.00
TM9E100C20MP11	CF/CM30C	1.00	1.03	1.00
TM9E100C20MP11	CF/CM/CU36C	1.00	1.02	1.00
TM9V040A10MP12C	CF/CM/CU30A	0.97	0.94	0.97
TM9V040A10MP12C	CF/CM/CU30B	0.98	0.95	0.98
TM9V040A10MP12C	CF/CM36A	0.97	0.90	1.01
TM9V040A10MP12C	CF/CM/CU36B	0.98	0.94	1.04
TM9V060B12MP12C	CF/CM/CU30B	1.00	1.03	1.00
TM9V060B12MP12C	CF/CM30C	1.00	1.02	1.00
TM9V060B12MP12C	CF/CM/CU36B	1.00	1.01	1.06
TM9V060B12MP12C	CF/CM/CU36C	1.00	1.01	1.04
TM9V080B12MP12C	CF/CM/CU30B	1.00	1.00	1.00
TM9V080B12MP12C	CF/CM30C	1.00	1.03	1.00
TM9V080B12MP12C	CF/CM/CU36B	0.99	0.93	0.99
TM9V080B12MP12C	CF/CM/CU36C	1.00	0.96	1.00
TM9V080C16MP12C	CF/CM30C	1.00	1.02	1.00
TM9V080C16MP12C	CF/CM/CU36C	1.00	0.98	1.00
TM9V100C16MP12C	CF/CM30C	1.00	1.03	1.00
TM9V100C16MP12C	CF/CM/CU36C	1.00	0.99	1.00
TM9V100C20MP12C	CF/CM30C	1.00	1.01	1.00
TM9V100C20MP12C	CF/CM/CU36C	1.00	1.00	1.00
TM9Y040A10MP11	CF/CM/CU30A	0.95	0.89	0.95
TM9Y040A10MP11	CF/CM/CU30B	0.97	0.91	0.97
TM9Y040A10MP11	CF/CM36A	0.97	0.90	1.03
TM9Y040A10MP11	CF/CM/CU36B	0.97	0.90	1.03
TM9Y060B12MP11	CF/CM/CU30B	1.00	1.03	1.00
TM9Y060B12MP11	CF/CM30C	1.00	1.03	1.00
TM9Y060B12MP11	CF/CM/CU36B	0.99	0.96	0.99
TM9Y060B12MP11	CF/CM/CU36C	1.00	0.97	1.00
TM9Y080B12MP11	CF/CM/CU30B	1.00	1.03	1.00
TM9Y080B12MP11	CF/CM30C	1.00	1.04	1.00
TM9Y080B12MP11	CF/CM/CU36B	0.99	0.93	0.99
TM9Y080B12MP11	CF/CM/CU36C	1.00	0.97	1.00
TM9Y080C16MP11	CF/CM30C	1.00	1.02	1.00
TM9Y080C16MP11	CF/CM/CU36C	1.00	0.96	1.00
TM9Y100C16MP11	CF/CM30C	1.00	1.03	1.00
TM9Y100C16MP11	CF/CM/CU36C	1.00	0.96	1.00
TM9Y100C20MP11	CF/CM30C	1.00	1.03	1.00
TM9Y100C20MP11	CF/CM/CU36C	1.00	1.02	1.00
TMLV060A12MP12C	CF/CM/CU30A	0.99	0.97	0.99
TMLV060A12MP12C	CF/CM/CU30B	1.00	1.03	1.00
TMLV060A12MP12C	CF/CM36A	1.00	1.00	1.06
TMLV060A12MP12C	CF/CM/CU36B	0.99	0.95	0.99
TMLV080B12MP12C	CF/CM/CU30B	0.99	0.99	0.99
TMLV080B12MP12C	CF/CM30C	1.00	1.03	1.00
TMLV080B12MP12C	CF/CM/CU36B	0.99	0.94	0.99
TMLV080B12MP12C	CF/CM/CU36C	1.00	0.98	1.04

**FURNACE MULTIPLIERS - 2.5 TON (Continued)**

Furnaces	Coil	T.C.	S.C.	KW
TMLV080C16MP12C	CF/CM30C	1.00	1.02	1.00
TMLV080C16MP12C	CF/CM/CU36C	1.00	0.98	1.00
TMLV100C16MP12C	CF/CM30C	1.00	1.02	1.00
TMLV100C16MP12C	CF/CM/CU36C	1.00	0.98	1.00
TMLV100C20MP12C	CF/CM30C	1.00	1.02	1.00
TMLV100C20MP12C	CF/CM/CU36C	1.00	1.00	1.00
TMLV120C20MP12C	CF/CM30C	1.00	1.02	1.00
TMLV120C20MP12C	CF/CM/CU36C	1.00	1.00	1.00
TMLX060A12MP11	CF/CM/CU30A	0.98	0.94	0.98
TMLX060A12MP11	CF/CM/CU30B	1.00	1.03	1.00
TMLX060A12MP11	CF/CM36A	1.00	1.00	1.06
TMLX060A12MP11	CF/CM/CU36B	1.00	1.02	1.04
TMLX080B12MP11	CF/CM/CU30B	1.00	1.04	1.00
TMLX080B12MP11	CF/CM30C	1.00	1.05	1.00
TMLX080B12MP11	CF/CM/CU36B	1.00	0.96	1.00
TMLX080B12MP11	CF/CM/CU36C	1.00	0.97	1.00
TMLX080C16MP11	CF/CM30C	1.00	1.02	1.00
TMLX080C16MP11	CF/CM/CU36C	1.00	1.01	1.00
TMLX100C16MP11	CF/CM30C	1.00	1.02	1.00
TMLX100C16MP11	CF/CM/CU36C	1.00	1.01	1.00
TMLX100C20MP11	CF/CM30C	1.00	0.98	1.00
TMLX100C20MP11	CF/CM/CU36C	1.00	0.96	1.00
TMLX120C20MP11	CF/CM30C	1.00	0.98	1.00
TMLX120C20MP11	CF/CM/CU36C	1.00	0.96	1.00
TP9C060B12MP13C	CF/CM/CU30B	1.00	1.03	1.00
TP9C060B12MP13C	CF/CM30C	1.00	1.02	1.00
TP9C060B12MP13C	CF/CM/CU36B	1.00	1.01	1.06
TP9C060B12MP13C	CF/CM/CU36C	1.00	1.01	1.04
TP9C080B12MP13C	CF/CM/CU30B	1.00	1.00	1.00
TP9C080B12MP13C	CF/CM30C	1.00	1.03	1.00
TP9C080B12MP13C	CF/CM/CU36B	0.99	0.93	0.99
TP9C080B12MP13C	CF/CM/CU36C	1.00	0.96	1.00
TP9C080C16MP13C	CF/CM30C	1.00	1.02	1.00
TP9C080C16MP13C	CF/CM/CU36C	1.00	0.98	1.00
TP9C100C16MP13C	CF/CM30C	1.00	1.03	1.00
TP9C100C16MP13C	CF/CM/CU36C	1.00	0.99	1.00
TP9C100C20MP13C	CF/CM30C	1.00	1.01	1.00
TP9C100C20MP13C	CF/CM/CU36C	1.00	1.00	1.00
TP9C100C20MP13C	CF/CM/CU36C	1.00	1.00	1.00
TPLC060A12MP13C	CF/CM/CU30A	0.99	0.97	0.99
TPLC060A12MP13C	CF/CM/CU30B	1.00	1.03	1.00
TPLC060A12MP13C	CF/CM36A	1.00	1.00	1.06
TPLC060A12MP13C	CF/CM/CU36B	0.99	0.95	0.99
TPLC080B12MP13C	CF/CM/CU30B	0.99	0.99	0.99

**FURNACE MULTIPLIERS - 2.5 TON (Continued)**

Furnaces	Coil	T.C.	S.C.	KW
TPLC080B12MP13C	CF/CM30C	1.00	1.03	1.00
TPLC080B12MP13C	CF/CM/CU36B	0.99	0.94	0.99
TPLC080B12MP13C	CF/CM/CU36C	1.00	0.98	1.04
TPLC080C16MP13C	CF/CM30C	1.00	1.02	1.00
TPLC080C16MP13C	CF/CM/CU36C	1.00	0.98	1.00
TPLC100C16MP13C	CF/CM30C	1.00	1.02	1.00
TPLC100C16MP13C	CF/CM/CU36C	1.00	0.98	1.00
TPLC100C20MP13C	CF/CM30C	1.00	1.02	1.00
TPLC100C20MP13C	CF/CM/CU36C	1.00	1.00	1.00
TPLC120C20MP13C	CF/CM30C	1.00	1.02	1.00
TPLC120C20MP13C	CF/CM/CU36C	1.00	1.00	1.00
YP9C060B12MP13C	CF/CM/CU30B	1.00	1.03	1.00
YP9C060B12MP13C	CF/CM30C	1.00	1.02	1.00
YP9C060B12MP13C	CF/CM/CU36B	1.00	1.01	1.06
YP9C060B12MP13C	CF/CM/CU36C	1.00	1.01	1.04
YP9C080B12MP13C	CF/CM/CU30B	1.00	1.00	1.00
YP9C080B12MP13C	CF/CM30C	1.00	1.03	1.00
YP9C080B12MP13C	CF/CM/CU36B	0.99	0.93	0.99
YP9C080B12MP13C	CF/CM/CU36C	1.00	0.96	1.00
YP9C080C16MP13C	CF/CM30C	1.00	1.02	1.00
YP9C080C16MP13C	CF/CM/CU36C	1.00	0.98	1.00
YP9C100C16MP13C	CF/CM30C	1.00	1.03	1.00
YP9C100C16MP13C	CF/CM/CU36C	1.00	0.99	1.00
YP9C100C20MP13C	CF/CM30C	1.00	1.01	1.00
YP9C100C20MP13C	CF/CM/CU36C	1.00	1.00	1.00
YPLC060A12MP13C	CF/CM/CU30A	0.99	0.97	0.99
YPLC060A12MP13C	CF/CM/CU30B	1.00	1.03	1.00
YPLC060A12MP13C	CF/CM36A	1.00	1.00	1.06
YPLC060A12MP13C	CF/CM/CU36B	0.99	0.95	0.99
YPLC080B12MP13C	CF/CM/CU30B	0.99	0.99	0.99
YPLC080B12MP13C	CF/CM30C	1.00	1.03	1.00
YPLC080B12MP13C	CF/CM/CU36B	0.99	0.94	0.99
YPLC080B12MP13C	CF/CM/CU36C	1.00	0.98	1.04
YPLC080C16MP13C	CF/CM30C	1.00	1.02	1.00
YPLC080C16MP13C	CF/CM/CU36C	1.00	0.98	1.00
YPLC100C16MP13C	CF/CM30C	1.00	1.02	1.00
YPLC100C16MP13C	CF/CM/CU36C	1.00	0.98	1.00
YPLC100C20MP13C	CF/CM30C	1.00	1.02	1.00
YPLC100C20MP13C	CF/CM/CU36C	1.00	1.00	1.00
YPLC120C20MP13C	CF/CM30C	1.00	1.02	1.00
YPLC120C20MP13C	CF/CM/CU36C	1.00	1.00	1.00

HEATING PERFORMANCE DATA										
CONDENSING UNIT MODEL NO		YHG30B21S								
AIR TEMP. ENTERING OUTDOOR UNIT (°F)	AIR TEMP. ENTERING INDOOR COIL (°F)	ID CFM								
		800			1000			1200		
		MBH	COP	KW	MBH	COP	KW	MBH	COP	KW
60	60	33.2	4.60	2.11	33.9	4.83	2.06	34.6	5.05	2.01
	70	32.4	4.09	2.35	33.1	4.31	2.28	33.9	4.53	2.21
	80	31.7	3.58	2.59	32.4	3.80	2.50	33.1	4.02	2.41
47	60	28.3	4.12	2.01	28.9	4.29	1.98	29.5	4.45	1.94
	70	27.5	3.66	2.23	28.1	3.80	2.19	28.6	3.95	2.15
	80	26.8	3.19	2.46	27.3	3.32	2.41	27.8	3.46	2.35
40	60	25.2	3.79	1.95	25.9	3.93	1.93	26.5	4.06	1.91
	70	24.9	3.39	2.18	25.3	3.50	2.15	25.8	3.62	2.11
	80	24.5	2.98	2.41	24.8	3.08	2.36	25.1	3.18	2.31
30	60	21.1	3.28	1.88	21.5	3.36	1.88	22.0	3.43	1.88
	70	20.9	2.96	2.10	21.4	3.03	2.09	21.8	3.11	2.08
	80	20.8	2.64	2.31	21.2	2.71	2.29	21.6	2.78	2.27
17	60	17.8	2.91	1.79	18.1	2.94	1.80	18.4	2.98	1.81
	70	17.3	2.59	1.98	17.6	2.62	1.99	17.8	2.66	1.99
	80	16.8	2.26	2.17	17.0	2.30	2.17	17.3	2.33	2.17
10	60	13.5	2.55	1.54	13.7	2.52	1.59	14.3	2.59	1.61
	70	13.1	2.24	1.71	13.6	2.29	1.73	14.0	2.35	1.75
	80	12.7	1.98	1.88	13.4	2.10	1.87	13.8	2.14	1.89
0	60	11.5	2.05	1.64	11.7	2.02	1.69	12.2	2.08	1.72
	70	11.2	1.80	1.82	11.6	1.84	1.84	12.0	1.88	1.87
	80	10.8	1.59	2.00	11.5	1.68	2.00	11.8	1.71	2.01
-10	60	8.0	1.49	1.58	8.2	1.47	1.63	8.5	1.51	1.66
	70	7.8	1.30	1.76	8.1	1.33	1.78	8.4	1.36	1.80
	80	7.6	1.15	1.93	8.0	1.22	1.92	8.2	1.24	1.94
-20	60	4.5	0.88	1.52	4.6	0.87	1.57	4.8	0.89	1.59
	70	4.4	0.77	1.69	4.6	0.79	1.71	4.7	0.80	1.73
	80	4.3	0.68	1.85	4.5	0.72	1.85	4.7	0.73	1.87

**NOTE:** ALL CAPACITIES INCLUDE INDOOR FAN HEAT. KW VALUES ARE FOR THE SYSTEM (OUTDOOR + INDOOR).

Yellow shaded cells are AHRI High Heating conditions.

Orange shaded cells are AHRI Low Heating conditions.

#### Multipliers for determining the performance with other indoor sections.

##### COIL MULTIPLIERS - 2.5 TON

Air Handler	Coil	MBH	COP	KW
-	CF/CM/CU30A	0.98	0.95	1.03
-	CF/CM/CU30B	1.01	0.98	1.02
-	CF/CM30C	1.01	0.98	1.02
AE30BX21	-	1.01	1.08	0.93
AE36BX21	-	1.01	1.04	0.98
AE36CX21	-	1.01	1.08	0.94
AP30BX21	-	1.03	0.98	1.04
AVC30BX21	-	1.00	1.06	0.95
AVC36BX21	-	1.00	1.00	1.00
AVC36CX21	-	1.01	1.05	0.96
ME12BN21	CF/CM30B	0.99	1.06	0.93

##### COIL MULTIPLIERS - 2.5 TON

Air Handler	Coil	MBH	COP	KW
ME12BN21	CF/CM36B	1.00	1.02	0.98
ME12CN21	CF/CM30C	0.98	1.06	0.92
ME12CN21	CF/CM36C	0.99	1.02	0.97
ME16CN21	CF/CM30C	0.99	1.09	0.91
ME16CN21	CF/CM36C	1.01	1.05	0.96
MVC12BN21	CF/CM30B	1.00	1.08	0.92
MVC12BN21	CF/CM36B	1.01	1.03	0.98
MVC12CN21	CF/CM30C	1.00	1.12	0.89
MVC12CN21	CF/CM36C	1.01	1.06	0.95
MVC16CN21	CF/CM30C	0.99	1.11	0.89
MVC16CN21	CF/CM36C	1.01	1.06	0.95

## FURNACE MULTIPLIERS - 2.5 TON

Furnaces	Coil	MBH	COP	KW
TM8V060A12MP12C	CF/CM/CU30A	0.99	1.01	0.99
TM8V060A12MP12C	CF/CM/CU30B	1.01	1.05	0.97
TM8V060A12MP12C	CF/CM36A	1.01	0.98	1.04
TM8V060A12MP12C	CF/CM/CU36B	0.99	0.97	1.02
TM8V080B12MP12C	CF/CM/CU30B	0.99	1.01	0.98
TM8V080B12MP12C	CF/CM30C	1.01	1.03	0.98
TM8V080B12MP12C	CF/CM/CU36B	0.99	0.96	1.04
TM8V080B12MP12C	CF/CM/CU36C	1.01	0.98	1.03
TM8V080C16MP12C	CF/CM30C	1.01	1.08	0.93
TM8V080C16MP12C	CF/CM/CU36C	1.00	1.02	0.98
TM8V100C16MP12C	CF/CM30C	1.01	1.08	0.93
TM8V100C16MP12C	CF/CM/CU36C	1.00	1.02	0.98
TM8V100C20MP12C	CF/CM30C	1.00	1.10	0.91
TM8V100C20MP12C	CF/CM/CU36C	1.01	1.05	0.96
TM8V120C20MP12C	CF/CM30C	1.00	1.10	0.91
TM8V120C20MP12C	CF/CM/CU36C	1.01	1.05	0.96
TM8X060A12MP11	CF/CM/CU30A	0.98	0.99	0.99
TM8X060A12MP11	CF/CM/CU30B	1.01	1.04	0.98
TM8X060A12MP11	CF/CM36A	1.02	0.98	1.04
TM8X060A12MP11	CF/CM/CU36B	1.03	1.00	1.03
TM8X080B12MP11	CF/CM/CU30B	1.01	1.06	0.96
TM8X080B12MP11	CF/CM30C	1.02	1.07	0.96
TM8X080B12MP11	CF/CM/CU36B	0.99	0.99	1.00
TM8X080B12MP11	CF/CM/CU36C	1.00	1.00	1.00
TM8X080C16MP11	CF/CM30C	1.00	1.08	0.92
TM8X080C16MP11	CF/CM/CU36C	1.01	1.05	0.97
TM8X100C16MP11	CF/CM30C	1.00	1.08	0.92
TM8X100C16MP11	CF/CM/CU36C	1.01	1.05	0.97
TM8X100C20MP11	CF/CM30C	0.98	1.06	0.93
TM8X100C20MP11	CF/CM/CU36C	0.99	1.02	0.98
TM8X120C20MP11	CF/CM30C	0.98	1.06	0.93
TM8X120C20MP11	CF/CM/CU36C	0.99	1.02	0.98
TM8Y060A12MP11	CF/CM/CU30A	0.98	0.99	0.99
TM8Y060A12MP11	CF/CM/CU30B	1.01	1.04	0.98
TM8Y060A12MP11	CF/CM36A	1.02	0.98	1.04
TM8Y060A12MP11	CF/CM/CU36B	1.03	1.00	1.03
TM8Y080B12MP11	CF/CM/CU30B	1.01	1.06	0.96
TM8Y080B12MP11	CF/CM30C	1.02	1.07	0.96
TM8Y080B12MP11	CF/CM/CU36B	0.99	0.99	1.00
TM8Y080B12MP11	CF/CM/CU36C	1.00	1.00	1.00
TM8Y080C16MP11	CF/CM30C	1.00	1.08	0.92
TM8Y080C16MP11	CF/CM/CU36C	1.01	1.05	0.97
TM8Y100C16MP11	CF/CM30C	1.00	1.08	0.92
TM8Y100C16MP11	CF/CM/CU36C	1.01	1.05	0.97
TM8Y100C20MP11	CF/CM30C	0.98	1.06	0.93
TM8Y100C20MP11	CF/CM/CU36C	0.99	1.02	0.98
TM8Y120C20MP11	CF/CM30C	0.98	1.06	0.93
TM8Y120C20MP11	CF/CM/CU36C	0.99	1.02	0.98
TM9E040A10MP11	CF/CM/CU30A	0.96	0.94	1.03
TM9E040A10MP11	CF/CM/CU30B	0.97	0.96	1.01
TM9E040A10MP11	CF/CM36A	0.98	0.91	1.07
TM9E040A10MP11	CF/CM/CU36B	0.99	0.92	1.08
TM9E060B12MP11	CF/CM/CU30B	1.01	1.02	0.99
TM9E060B12MP11	CF/CM30C	1.01	1.03	0.98
TM9E060B12MP11	CF/CM/CU36B	1.00	0.97	1.03
TM9E060B12MP11	CF/CM/CU36C	1.00	0.98	1.02
TM9E080B12MP11	CF/CM/CU30B	1.01	1.05	0.97
TM9E080B12MP11	CF/CM30C	1.01	1.06	0.96
TM9E080B12MP11	CF/CM/CU36B	0.99	0.96	1.02
TM9E080B12MP11	CF/CM/CU36C	1.00	0.99	1.01
TM9E080C16MP11	CF/CM30C	1.01	1.06	0.95
TM9E080C16MP11	CF/CM/CU36C	0.99	0.99	1.00
TM9E100C16MP11	CF/CM30C	1.01	1.08	0.93
TM9E100C16MP11	CF/CM/CU36C	0.99	1.00	0.99
TM9E100C20MP11	CF/CM30C	1.01	1.09	0.92
TM9E100C20MP11	CF/CM/CU36C	1.02	1.05	0.98
TM9V040A10MP12C	CF/CM/CU30A	0.99	0.96	1.02
TM9V040A10MP12C	CF/CM/CU30B	0.99	0.98	1.00
TM9V040A10MP12C	CF/CM36A	0.99	0.92	1.07
TM9V040A10MP12C	CF/CM/CU36B	0.99	0.94	1.05
TM9V060B12MP12C	CF/CM/CU30B	1.01	1.03	0.99
TM9V060B12MP12C	CF/CM30C	1.01	1.03	0.98
TM9V060B12MP12C	CF/CM/CU36B	1.02	0.99	1.03
TM9V060B12MP12C	CF/CM/CU36C	1.02	1.00	1.02
TM9V080B12MP12C	CF/CM/CU30B	1.00	1.04	0.96
TM9V080B12MP12C	CF/CM30C	1.01	1.05	0.96
TM9V080B12MP12C	CF/CM/CU36B	0.99	0.96	1.02
TM9V080B12MP12C	CF/CM/CU36C	0.99	0.98	1.01
TM9V080C16MP12C	CF/CM30C	1.00	1.07	0.94
TM9V080C16MP12C	CF/CM/CU36C	1.00	1.01	0.99
TM9V100C16MP12C	CF/CM30C	1.01	1.09	0.92
TM9V100C16MP12C	CF/CM/CU36C	1.01	1.03	0.98
TM9V100C20MP12C	CF/CM30C	1.00	1.07	0.93
TM9V100C20MP12C	CF/CM/CU36C	1.01	1.03	0.98
TM9Y040A10MP11	CF/CM/CU30A	0.96	0.94	1.03
TM9Y040A10MP11	CF/CM/CU30B	0.97	0.96	1.01
TM9Y040A10MP11	CF/CM36A	0.98	0.91	1.07
TM9Y040A10MP11	CF/CM/CU36B	0.99	0.92	1.08
TM9Y060B12MP11	CF/CM/CU30B	1.01	1.02	0.99
TM9Y060B12MP11	CF/CM30C	1.01	1.03	0.98
TM9Y060B12MP11	CF/CM/CU36B	1.00	0.97	1.03
TM9Y060B12MP11	CF/CM/CU36C	1.00	0.98	1.02
TM9Y080B12MP11	CF/CM/CU30B	1.01	1.05	0.97
TM9Y080B12MP11	CF/CM30C	1.01	1.06	0.96
TM9Y080B12MP11	CF/CM/CU36B	0.99	0.96	1.02
TM9Y080B12MP11	CF/CM/CU36C	1.00	0.99	1.01
TM9Y080C16MP11	CF/CM30C	1.01	1.06	0.95
TM9Y080C16MP11	CF/CM/CU36C	0.99	0.99	1.00
TM9Y100C16MP11	CF/CM30C	1.01	1.08	0.93
TM9Y100C16MP11	CF/CM/CU36C	0.99	1.00	0.99
TM9Y100C20MP11	CF/CM30C	1.01	1.09	0.92
TM9Y100C20MP11	CF/CM/CU36C	1.02	1.05	0.98
TMLV060A12MP12C	CF/CM/CU30A	0.99	1.01	0.99
TMLV060A12MP12C	CF/CM/CU30B	1.01	1.05	0.97
TMLV060A12MP12C	CF/CM36A	1.01	0.98	1.04
TMLV060A12MP12C	CF/CM/CU36B	0.99	0.97	1.02
TMLV080B12MP12C	CF/CM/CU30B	0.99	1.01	0.98
TMLV080B12MP12C	CF/CM30C	1.01	1.03	0.98
TMLV080B12MP12C	CF/CM/CU36B	0.99	0.96	1.04
TMLV080B12MP12C	CF/CM/CU36C	1.01	0.98	1.03

## FURNACE MULTIPLIERS - 2.5 TON (Continued)

Furnaces	Coil	MBH	COP	KW
TM9E060B12MP11	CF/CM/CU36C	1.00	0.98	1.02
TM9E080B12MP11	CF/CM/CU30B	1.01	1.05	0.97
TM9E080B12MP11	CF/CM30C	1.01	1.06	0.96
TM9E080B12MP11	CF/CM/CU36B	0.99	0.96	1.02
TM9E080B12MP11	CF/CM/CU36C	1.00	0.99	1.01
TM9E080C16MP11	CF/CM30C	1.01	1.06	0.95
TM9E080C16MP11	CF/CM/CU36C	0.99	0.99	1.00
TM9E100C16MP11	CF/CM30C	1.01	1.08	0.93
TM9E100C16MP11	CF/CM/CU36C	0.99	1.00	0.99
TM9E100C20MP11	CF/CM30C	1.01	1.09	0.92
TM9E100C20MP11	CF/CM/CU36C	1.02	1.05	0.98
TM9V040A10MP12C	CF/CM/CU30A	0.99	0.96	1.02
TM9V040A10MP12C	CF/CM/CU30B	0.99	0.98	1.00
TM9V040A10MP12C	CF/CM36A	0.99	0.92	1.07
TM9V040A10MP12C	CF/CM/CU36B	0.99	0.94	1.05
TM9V060B12MP12C	CF/CM/CU30B	1.01	1.03	0.99
TM9V060B12MP12C	CF/CM30C	1.01	1.03	0.98
TM9V060B12MP12C	CF/CM/CU36B	1.02	0.99	1.03
TM9V060B12MP12C	CF/CM/CU36C	1.02	1.00	1.02
TM9V080B12MP12C	CF/CM/CU30B	1.00	1.04	0.96
TM9V080B12MP12C	CF/CM30C	1.01	1.05	0.96
TM9V080B12MP12C	CF/CM/CU36B	0.99	0.96	1.02
TM9V080B12MP12C	CF/CM/CU36C	0.99	0.98	1.01
TM9V080C16MP12C	CF/CM30C	1.00	1.07	0.94
TM9V080C16MP12C	CF/CM/CU36C	1.00	1.01	0.99
TM9V100C16MP12C	CF/CM30C	1.01	1.09	0.92
TM9V100C16MP12C	CF/CM/CU36C	1.01	1.03	0.98
TM9V100C20MP12C	CF/CM30C	1.00	1.07	0.93
TM9V100C20MP12C	CF/CM/CU36C	1.01	1.03	0.98
TM9Y040A10MP11	CF/CM/CU30A	0.96	0.94	1.03
TM9Y040A10MP11	CF/CM/CU30B	0.97	0.96	1.01
TM9Y040A10MP11	CF/CM36A	0.98	0.91	1.07
TM9Y040A10MP11	CF/CM/CU36B	0.99	0.92	1.08
TM9Y060B12MP11	CF/CM/CU30B	1.01	1.02	0.99
TM9Y060B12MP11	CF/CM30C	1.01	1.03	0.98
TM9Y060B12MP11	CF/CM/CU36B	1.00	0.97	1.03
TM9Y060B12MP11	CF/CM/CU36C	1.00	0.98	1.02
TM9Y080B12MP11	CF/CM/CU30B	1.01	1.05	0.97
TM9Y080B12MP11	CF/CM30C	1.01	1.06	0.96
TM9Y080B12MP11	CF/CM/CU36B	0.99	0.96	1.02
TM9Y080B12MP11	CF/CM/CU36C	1.00	0.99	1.01
TM9Y080C16MP11	CF/CM30C	1.01	1.06	0.95
TM9Y080C16MP11	CF/CM/CU36C	0.99	0.99	1.00
TM9Y100C16MP11	CF/CM30C	1.01	1.08	0.93
TM9Y100C16MP11	CF/CM/CU36C	0.99	1.00	0.99
TM9Y100C20MP11	CF/CM30C	1.01	1.09	0.92
TM9Y100C20MP11	CF/CM/CU36C	1.02	1.05	0.98
TMLV060A12MP12C	CF/CM/CU30A	0.99	1.01	0.99
TMLV060A12MP12C	CF/CM/CU30B	1.01	1.05	0.97
TMLV060A12MP12C	CF/CM36A	1.01	0.98	1.04
TMLV060A12MP12C	CF/CM/CU36B	0.99	0.97	1.02
TMLV080B12MP12C	CF/CM/CU30B	0.99	1.01	0.98
TMLV080B12MP12C	CF/CM30C	1.01	1.03	0.98
TMLV080B12MP12C	CF/CM/CU36B	0.99	0.96	1.04
TMLV080B12MP12C	CF/CM/CU36C	1.01	0.98	1.03

**FURNACE MULTIPLIERS - 2.5 TON (Continued)**

Furnaces	Coil	MBH	COP	KW
TMLV080C16MP12C	CF/CM30C	1.01	1.08	0.93
TMLV080C16MP12C	CF/CM/CU36C	1.00	1.02	0.98
TMLV100C16MP12C	CF/CM30C	1.01	1.08	0.93
TMLV100C16MP12C	CF/CM/CU36C	1.00	1.02	0.98
TMLV100C20MP12C	CF/CM30C	1.00	1.10	0.91
TMLV100C20MP12C	CF/CM/CU36C	1.01	1.05	0.96
TMLV120C20MP12C	CF/CM30C	1.00	1.10	0.91
TMLV120C20MP12C	CF/CM/CU36C	1.01	1.05	0.96
TMLX060A12MP11	CF/CM/CU30A	0.98	0.99	0.99
TMLX060A12MP11	CF/CM/CU30B	1.01	1.04	0.98
TMLX060A12MP11	CF/CM36A	1.02	0.98	1.04
TMLX060A12MP11	CF/CM/CU36B	1.03	1.00	1.03
TMLX080B12MP11	CF/CM/CU30B	1.01	1.06	0.96
TMLX080B12MP11	CF/CM30C	1.02	1.07	0.96
TMLX080B12MP11	CF/CM/CU36B	0.99	0.99	1.00
TMLX080B12MP11	CF/CM/CU36C	1.00	1.00	1.00
TMLX080C16MP11	CF/CM30C	1.00	1.08	0.92
TMLX080C16MP11	CF/CM/CU36C	1.01	1.05	0.97
TMLX100C16MP11	CF/CM30C	1.00	1.08	0.92
TMLX100C16MP11	CF/CM/CU36C	1.01	1.05	0.97
TMLX100C20MP11	CF/CM30C	0.98	1.06	0.93
TMLX100C20MP11	CF/CM/CU36C	0.99	1.02	0.98
TMLX120C20MP11	CF/CM30C	0.98	1.06	0.93
TMLX120C20MP11	CF/CM/CU36C	0.99	1.02	0.98
TP9C060B12MP13C	CF/CM/CU30B	1.01	1.03	0.99
TP9C060B12MP13C	CF/CM30C	1.01	1.03	0.98
TP9C060B12MP13C	CF/CM/CU36B	1.02	0.99	1.03
TP9C060B12MP13C	CF/CM/CU36C	1.02	1.00	1.02
TP9C080B12MP13C	CF/CM/CU30B	1.00	1.04	0.96
TP9C080B12MP13C	CF/CM30C	1.01	1.05	0.96
TP9C080B12MP13C	CF/CM/CU36B	0.99	0.96	1.02
TP9C080B12MP13C	CF/CM/CU36C	0.99	0.98	1.01
TP9C080C16MP13C	CF/CM30C	1.00	1.07	0.94
TP9C080C16MP13C	CF/CM/CU36C	1.00	1.01	0.99
TP9C100C16MP13C	CF/CM30C	1.01	1.09	0.92
TP9C100C16MP13C	CF/CM/CU36C	1.01	1.03	0.98
TP9C100C20MP13C	CF/CM30C	1.00	1.07	0.93
TP9C100C20MP13C	CF/CM/CU36C	1.01	1.03	0.98
TP9C100C20MP13C	CF/CM/CU36C	1.01	1.03	0.98
TPLC060A12MP13C	CF/CM/CU30A	0.99	1.01	0.99
TPLC060A12MP13C	CF/CM/CU30B	1.01	1.05	0.97
TPLC060A12MP13C	CF/CM36A	1.01	0.98	1.04
TPLC060A12MP13C	CF/CM/CU36B	0.99	0.97	1.02
TPLC060A12MP13C	CF/CM/CU36C	0.99	0.97	1.02
TPLC080B12MP13C	CF/CM/CU30B	0.99	1.01	0.98
TPLC080B12MP13C	CF/CM30C	1.01	1.03	0.98
TPLC080B12MP13C	CF/CM/CU36B	0.99	0.96	1.04
TPLC080B12MP13C	CF/CM/CU36C	1.01	0.98	1.03
TPLC080C16MP13C	CF/CM30C	1.01	1.08	0.93
TPLC080C16MP13C	CF/CM/CU36C	1.00	1.02	0.98
TPLC100C16MP13C	CF/CM30C	1.01	1.08	0.93
TPLC100C16MP13C	CF/CM/CU36C	1.00	1.02	0.98
TPLC100C20MP13C	CF/CM30C	1.00	1.10	0.91
TPLC100C20MP13C	CF/CM/CU36C	1.01	1.05	0.96
TPLC120C20MP13C	CF/CM30C	1.00	1.10	0.91
TPLC120C20MP13C	CF/CM/CU36C	1.01	1.05	0.96

**FURNACE MULTIPLIERS - 2.5 TON (Continued)**

Furnaces	Coil	MBH	COP	KW
TPLC080B12MP13C	CF/CM30C	1.01	1.03	0.98
TPLC080B12MP13C	CF/CM/CU36B	0.99	0.96	1.04
TPLC080B12MP13C	CF/CM/CU36C	1.01	0.98	1.03
TPLC080C16MP13C	CF/CM30C	1.01	1.08	0.93
TPLC080C16MP13C	CF/CM/CU36C	1.00	1.02	0.98
TPLC100C16MP13C	CF/CM30C	1.01	1.08	0.93
TPLC100C16MP13C	CF/CM/CU36C	1.00	1.02	0.98
TPLC100C20MP13C	CF/CM30C	1.00	1.10	0.91
TPLC100C20MP13C	CF/CM/CU36C	1.01	1.05	0.96
TPLC120C20MP13C	CF/CM30C	1.00	1.10	0.91
TPLC120C20MP13C	CF/CM/CU36C	1.01	1.05	0.96
YP9C060B12MP13C	CF/CM/CU30B	1.01	1.03	0.99
YP9C060B12MP13C	CF/CM30C	1.01	1.03	0.98
YP9C060B12MP13C	CF/CM/CU36B	1.02	0.99	1.03
YP9C060B12MP13C	CF/CM/CU36C	1.02	1.00	1.02
YP9C080B12MP13C	CF/CM/CU30B	1.00	1.04	0.96
YP9C080B12MP13C	CF/CM30C	1.01	1.05	0.96
YP9C080B12MP13C	CF/CM/CU36B	0.99	0.96	1.02
YP9C080B12MP13C	CF/CM/CU36C	0.99	0.98	1.01
YP9C080C16MP13C	CF/CM30C	1.00	1.07	0.94
YP9C080C16MP13C	CF/CM/CU36C	1.00	1.01	0.99
YP9C100C16MP13C	CF/CM30C	1.01	1.09	0.92
YP9C100C16MP13C	CF/CM/CU36C	1.01	1.03	0.98
YP9C100C20MP13C	CF/CM30C	1.00	1.07	0.93
YP9C100C20MP13C	CF/CM/CU36C	1.01	1.03	0.98
YPLC060A12MP13C	CF/CM/CU30A	0.99	1.01	0.99
YPLC060A12MP13C	CF/CM/CU30B	1.01	1.05	0.97
YPLC060A12MP13C	CF/CM36A	1.01	0.98	1.04
YPLC060A12MP13C	CF/CM/CU36B	0.99	0.97	1.02
YPLC080B12MP13C	CF/CM/CU30B	0.99	1.01	0.98
YPLC080B12MP13C	CF/CM30C	1.01	1.03	0.98
YPLC080B12MP13C	CF/CM/CU36B	0.99	0.96	1.04
YPLC080B12MP13C	CF/CM/CU36C	1.01	0.98	1.03
YPLC080C16MP13C	CF/CM30C	1.01	1.08	0.93
YPLC080C16MP13C	CF/CM/CU36C	1.00	1.02	0.98
YPLC100C16MP13C	CF/CM30C	1.01	1.08	0.93
YPLC100C16MP13C	CF/CM/CU36C	1.00	1.02	0.98
YPLC100C20MP13C	CF/CM30C	1.00	1.10	0.91
YPLC100C20MP13C	CF/CM/CU36C	1.01	1.05	0.96
YPLC120C20MP13C	CF/CM30C	1.00	1.10	0.91
YPLC120C20MP13C	CF/CM/CU36C	1.01	1.05	0.96

## PERFORMANCE DATA - 3 TON

CONDENSER-ONLY DATA (OUTDOOR UNIT)																
MODEL	SATURATED SUCTION @ COMPRESSOR		Outdoor Ambient Temperature													
			65 °F		75 °F		85 °F		95 °F		105 °F		115 °F		125 °F	
	T (°F)	P (PSIG)	MBH	KW	MBH	KW	MBH	KW	MBH	KW	MBH	KW	MBH	KW	MBH	KW
YHG36B21S	35	107	37.9	1.57	34.4	1.84	30.9	2.11	27.4	2.39	23.9	2.66	20.4	2.93	16.9	3.20
	40	119	40.9	1.60	37.7	1.87	34.5	2.14	31.3	2.41	28.1	2.68	24.9	2.95	21.7	3.21
	45	130	43.9	1.63	41.0	1.90	38.1	2.17	35.2	2.43	32.3	2.70	29.4	2.96	26.6	3.23
	50	143	46.9	1.67	44.3	1.93	41.7	2.19	39.1	2.45	36.5	2.71	34.0	2.98	31.4	3.24
	55	156	49.9	1.70	47.6	1.96	45.3	2.22	43.0	2.47	40.8	2.73	38.5	2.99	36.2	3.25
	60	170	52.9	1.73	50.9	1.99	48.9	2.24	46.9	2.50	45.0	2.75	43.0	3.01	41.0	3.26

## Notes:

- For Outdoor Unit (Condenser) performance only. Data does not include the effects of air handler power or heat.
- Performance based on 15°F subcooling and 15°F superheat at the Outdoor Unit base valves.
  - Increase capacity by 1% for each 2°F increase in subcooling.
  - Decrease capacity by 1% for each 2°F decrease in subcooling.
- Maximum recommended condensing temperature is 140°F.

COOLING PERFORMANCE DATA																	
AIR CONDITIONER MODEL NO.		YHG36B21S															
AIR TEMP. ENTERING OUTDOOR UNIT (°F)	IDCFM	950					1200					1450					
		ID DB (°F)	80	80	75	80	80	80	80	75	80	80	80	80	75	80	80
		ID WB (°F)	57	62	62	67	72	57	62	62	67	72	57	62	62	67	72
65	T.C.	33.0	36.6	36.7	39.1	41.2	35.0	37.5	37.8	39.9	41.6	37.0	38.4	38.9	40.8	42.0	
	S.C.	33.0	30.4	25.7	24.8	19.1	35.0	32.7	27.6	26.5	19.7	37.0	34.9	29.4	28.1	20.2	
	KW	1.91	1.91	1.91	1.92	1.92	1.99	2.00	2.00	2.00	2.01	2.08	2.09	2.08	2.09	2.09	
75	T.C.	31.2	35.5	36.0	39.4	42.9	34.3	37.0	37.7	40.9	43.5	37.3	38.4	39.4	42.4	44.0	
	S.C.	31.2	30.4	25.6	25.6	20.2	34.3	33.9	28.8	28.1	21.1	37.3	37.5	31.9	30.6	22.0	
	KW	2.08	2.09	2.09	2.10	2.11	2.17	2.18	2.18	2.19	2.19	2.26	2.28	2.27	2.27	2.28	
85	T.C.	30.4	34.2	34.4	38.0	41.8	33.0	35.6	35.9	39.6	42.7	35.6	37.1	37.3	41.1	43.6	
	S.C.	30.4	29.6	24.9	25.1	19.7	33.0	33.2	27.9	27.8	21.0	35.6	36.7	31.0	30.5	22.3	
	KW	2.32	2.32	2.33	2.33	2.34	2.41	2.41	2.41	2.42	2.42	2.49	2.50	2.50	2.50	2.51	
95	T.C.	29.6	32.8	32.9	36.7	40.8	31.8	34.3	34.0	38.3	42.0	34.0	35.8	35.1	39.8	43.2	
	S.C.	29.6	28.8	24.2	24.5	19.3	31.8	32.4	27.1	27.5	21.0	34.0	35.8	30.1	30.4	22.6	
	KW	2.56	2.56	2.56	2.56	2.57	2.64	2.64	2.64	2.65	2.65	2.72	2.73	2.73	2.73	2.74	
105	T.C.	28.7	31.5	31.4	35.2	38.9	30.8	33.0	32.6	36.7	40.3	32.9	34.4	33.7	38.2	41.6	
	S.C.	28.7	28.1	23.4	23.9	18.9	30.8	31.2	26.2	26.8	20.5	32.9	34.4	29.0	29.7	22.1	
	KW	2.81	2.81	2.81	2.81	2.81	2.89	2.89	2.89	2.90	2.90	2.98	2.98	2.98	2.98	2.99	
115	T.C.	27.8	30.2	30.0	33.7	37.0	29.8	31.7	31.1	35.1	38.5	31.8	33.1	32.3	36.5	40.0	
	S.C.	27.8	27.3	22.7	23.2	18.5	29.8	30.0	25.3	26.1	20.1	31.8	32.8	28.0	29.0	21.6	
	KW	3.06	3.07	3.06	3.07	3.06	3.15	3.15	3.14	3.15	3.15	3.23	3.23	3.23	3.24	3.24	
125	T.C.	26.9	28.9	28.6	32.2	35.1	28.8	30.4	29.7	33.5	36.8	30.7	31.8	30.9	34.8	38.4	
	S.C.	26.9	26.5	22.0	22.5	18.1	28.8	28.9	24.4	25.4	19.6	30.7	31.2	26.9	28.3	21.1	
	KW	3.32	3.32	3.31	3.32	3.31	3.40	3.40	3.39	3.40	3.40	3.49	3.49	3.48	3.49	3.49	

**NOTE:** ALL CAPACITIES INCLUDE INDOOR FAN HEAT. KW VALUES ARE FOR THE SYSTEM (OUTDOOR + INDOOR).

Green shaded cells are ACCA (TVA) conditions.

Blue shaded cells are AHRI conditions.

## Multipliers for determining the performance with other indoor sections.

**NOTE:** For dry bulb temperatures different than those listed (between 73-87 °F), sensible capacity increases by 1060 BTUH per 1000 CFM per degree above the listed temperature and decreases by 1060 BTUH per 1000 CFM per degree below the listed temperature.

**COIL MULTIPLIERS - 3 TON**

Air Handler	Coil	T.C.	S.C.	KW
AE36BX21	-	0.97	0.91	0.97
AE36CX21	-	0.98	0.92	0.98
AE42CX21	-	1.00	0.92	1.00
AE48CX21	-	1.00	1.00	1.00
AE48DX21	-	1.00	0.94	1.00
AVC36BX21	-	0.97	0.90	0.97
AVC36CX21	-	0.97	0.89	0.97
AVC42CX21	-	1.00	0.91	1.00
AVC48CX21	-	1.00	0.91	1.00
AVC48DX21	-	1.00	0.93	1.00
ME12BN21	CF/CM36B	0.98	0.95	0.98
ME12CN21	CF/CM36C	0.98	0.93	0.98
ME12CN21	CF/CM48C	1.00	0.94	1.00
ME14DN21	CF/CM36D	0.98	0.94	0.98
ME14DN21	CF/CM48D	1.00	0.94	1.00
ME16CN21	CF/CM36C	0.99	0.97	0.99
ME16CN21	CF/CM48C	1.00	0.96	1.00
ME20DN21	CF/CM36D	1.00	1.04	1.00
ME20DN21	CF/CM48D	1.00	1.00	1.00
MVC12BN21	CF/CM36B	0.97	0.90	0.97
MVC12CN21	CF/CM36C	0.98	0.94	0.98
MVC12CN21	CF/CM48C	1.00	0.93	1.00
MVC14DN21	CF/CM36D	0.99	0.98	0.99
MVC14DN21	CF/CM48D	1.00	0.93	1.00
MVC16CN21	CF/CM36C	0.98	0.94	0.98
MVC16CN21	CF/CM48C	1.00	0.94	1.00
MVC20DN21	CF/CM36D	1.00	1.01	1.00
MVC20DN21	CF/CM48D	1.00	0.98	1.00

**FURNACE MULTIPLIERS - 3 TON**

Furnaces	Coil	T.C.	S.C.	KW
TM8V060A12MP12C	CF/CM36A	0.96	0.89	1.00
TM8V060A12MP12C	CF/CM/CU36B	0.97	0.91	1.01
TM8V080B12MP12C	CF/CM/CU36B	0.96	0.89	1.00
TM8V080B12MP12C	CF/CM/CU36C	0.96	0.89	1.00
TM8V080B12MP12C	CF/CM/CU48C	0.99	0.94	0.99
TM8V080C16MP12C	CF/CM/CU36C	0.97	0.91	0.97
TM8V080C16MP12C	CF/CM36D	0.97	0.91	0.97
TM8V080C16MP12C	CF/CM/CU48C	1.00	0.93	1.00
TM8V080C16MP12C	CF/CM/CU48D	1.00	0.93	1.00
TM8V100C16MP12C	CF/CM/CU36C	0.97	0.91	0.97
TM8V100C16MP12C	CF/CM36D	0.97	0.91	0.97
TM8V100C16MP12C	CF/CM/CU48C	1.00	0.93	1.00
TM8V100C16MP12C	CF/CM/CU48D	1.00	0.93	1.00
TM8V100C20MP12C	CF/CM/CU36C	0.99	0.99	0.99
TM8V100C20MP12C	CF/CM36D	0.99	0.99	0.99
TM8V100C20MP12C	CF/CM/CU48C	1.00	0.98	1.00
TM8V100C20MP12C	CF/CM/CU48D	1.00	0.98	1.00
TM8V120C20MP12C	CF/CM/CU36C	0.99	0.99	0.99
TM8V120C20MP12C	CF/CM36D	0.99	0.99	0.99
TM8V120C20MP12C	CF/CM/CU48C	1.00	0.98	1.00
TM8V120C20MP12C	CF/CM/CU48D	1.00	0.98	1.00
TM8X060A12MP11	CF/CM/CU36B	0.96	0.90	1.00
TM8X080B12MP11	CF/CM/CU36B	0.97	0.92	1.01

**FURNACE MULTIPLIERS - 3 TON (Continued)**

Furnaces	Coil	T.C.	S.C.	KW
TM8X080B12MP11	CF/CM/CU36C	0.97	0.93	1.01
TM8X080B12MP11	CF/CM/CU48C	1.00	0.94	1.00
TM8X080C16MP11	CF/CM/CU36C	0.97	0.90	0.97
TM8X080C16MP11	CF/CM36D	0.98	0.92	0.98
TM8X080C16MP11	CF/CM/CU48C	1.00	0.92	1.00
TM8X080C16MP11	CF/CM/CU48D	1.00	0.93	1.00
TM8X100C16MP11	CF/CM/CU36C	0.97	0.90	0.97
TM8X100C16MP11	CF/CM36D	0.98	0.92	0.98
TM8X100C16MP11	CF/CM/CU48C	1.00	0.92	1.00
TM8X100C16MP11	CF/CM/CU48D	1.00	0.93	1.00
TM8X100C20MP11	CF/CM/CU36C	0.98	0.93	0.98
TM8X100C20MP11	CF/CM36D	0.98	0.93	0.98
TM8X100C20MP11	CF/CM/CU48C	1.00	0.94	1.00
TM8X100C20MP11	CF/CM/CU48D	1.00	0.94	1.00
TM8X120C20MP11	CF/CM/CU36C	0.98	0.93	0.98
TM8X120C20MP11	CF/CM36D	0.98	0.93	0.98
TM8X120C20MP11	CF/CM/CU48C	1.00	0.94	1.00
TM8X120C20MP11	CF/CM/CU48D	1.00	0.94	1.00
TM8Y060A12MP11	CF/CM/CU36B	0.96	0.90	1.00
TM8Y080B12MP11	CF/CM/CU36B	0.97	0.92	1.01
TM8Y080B12MP11	CF/CM/CU36C	0.97	0.93	1.01
TM8Y080B12MP11	CF/CM/CU48C	1.00	0.94	1.00
TM8Y080C16MP11	CF/CM/CU36C	0.97	0.90	0.97
TM8Y080C16MP11	CF/CM36D	0.98	0.92	0.98
TM8Y080C16MP11	CF/CM/CU48C	1.00	0.92	1.00
TM8Y080C16MP11	CF/CM/CU48D	1.00	0.93	1.00
TM8Y100C16MP11	CF/CM/CU36C	0.97	0.90	0.97
TM8Y100C16MP11	CF/CM36D	0.98	0.92	0.98
TM8Y100C16MP11	CF/CM/CU48C	1.00	0.92	1.00
TM8Y100C16MP11	CF/CM/CU48D	1.00	0.93	1.00
TM8Y100C20MP11	CF/CM/CU36C	0.98	0.93	0.98
TM8Y100C20MP11	CF/CM36D	0.98	0.93	0.98
TM8Y100C20MP11	CF/CM/CU48C	1.00	0.94	1.00
TM8Y100C20MP11	CF/CM/CU48D	1.00	0.94	1.00
TM8Y120C20MP11	CF/CM/CU36C	0.98	0.93	0.98
TM8Y120C20MP11	CF/CM36D	0.98	0.93	0.98
TM8Y120C20MP11	CF/CM/CU48C	1.00	0.94	1.00
TM8Y120C20MP11	CF/CM/CU48D	1.00	0.94	1.00
TM9E060B12MP11	CF/CM/CU36B	0.97	0.91	1.01
TM9E060B12MP11	CF/CM/CU36C	0.97	0.92	1.01
TM9E060B12MP11	CF/CM/CU48C	0.99	0.93	0.99
TM9E080B12MP11	CF/CM/CU36B	0.97	0.91	1.01
TM9E080B12MP11	CF/CM/CU36C	0.97	0.93	1.01
TM9E080B12MP11	CF/CM/CU48C	0.99	0.90	0.99
TM9E080C16MP11	CF/CM/CU36C	0.97	0.92	0.97
TM9E080C16MP11	CF/CM36D	0.97	0.92	0.97
TM9E080C16MP11	CF/CM/CU48C	1.00	0.93	1.00
TM9E080C16MP11	CF/CM/CU48D	1.00	0.93	1.00
TM9E100C16MP11	CF/CM/CU36C	0.97	0.92	0.97
TM9E100C16MP11	CF/CM36D	0.98	0.93	0.98
TM9E100C16MP11	CF/CM/CU48C	1.00	0.94	1.00
TM9E100C16MP11	CF/CM/CU48D	1.00	0.94	1.00
TM9E100C20MP11	CF/CM/CU36C	0.99	1.00	1.03
TM9E100C20MP11	CF/CM36D	0.99	1.01	1.03
TM9E100C20MP11	CF/CM/CU48C	1.00	0.98	1.00

## FURNACE MULTIPLIERS - 3 TON (Continued)

Furnaces	Coil	T.C.	S.C.	KW
TM9E100C20MP11	CF/CM/CU48D	1.00	0.98	1.00
TM9E120D20MP11	CF/CM36D	0.97	0.90	0.97
TM9E120D20MP11	CF/CM/CU48D	1.00	0.92	1.00
TM9V060B12MP12C	CF/CM/CU36B	0.96	0.89	1.00
TM9V060B12MP12C	CF/CM/CU36C	0.97	0.93	1.01
TM9V060B12MP12C	CF/CM/CU48C	0.99	0.94	0.99
TM9V080B12MP12C	CF/CM/CU36B	0.97	0.91	1.01
TM9V080B12MP12C	CF/CM/CU36C	0.97	0.90	1.01
TM9V080B12MP12C	CF/CM/CU48C	0.99	0.92	0.99
TM9V080C16MP12C	CF/CM/CU36C	0.97	0.91	0.97
TM9V080C16MP12C	CF/CM36D	0.97	0.91	0.97
TM9V080C16MP12C	CF/CM/CU48C	1.00	0.93	1.00
TM9V080C16MP12C	CF/CM/CU48D	1.00	0.93	1.00
TM9V100C16MP12C	CF/CM/CU36C	0.98	0.93	0.98
TM9V100C16MP12C	CF/CM36D	0.97	0.91	0.97
TM9V100C16MP12C	CF/CM/CU48C	1.00	0.95	1.00
TM9V100C16MP12C	CF/CM/CU48D	1.00	0.93	1.00
TM9V100C20MP12C	CF/CM/CU36C	0.98	0.98	1.02
TM9V100C20MP12C	CF/CM36D	0.98	0.97	0.98
TM9V100C20MP12C	CF/CM/CU48C	1.00	0.96	1.00
TM9V100C20MP12C	CF/CM/CU48D	1.00	0.96	1.00
TM9V120D20MP12C	CF/CM36D	0.98	0.95	0.98
TM9V120D20MP12C	CF/CM/CU48D	1.00	0.94	1.00
TM9Y060B12MP11	CF/CM/CU36B	0.97	0.91	1.01
TM9Y060B12MP11	CF/CM/CU36C	0.97	0.92	1.01
TM9Y060B12MP11	CF/CM/CU48C	0.99	0.93	0.99
TM9Y080B12MP11	CF/CM/CU36B	0.97	0.91	1.01
TM9Y080B12MP11	CF/CM/CU36C	0.97	0.93	1.01
TM9Y080B12MP11	CF/CM/CU48C	0.99	0.90	0.99
TM9Y080C16MP11	CF/CM/CU36C	0.97	0.92	0.97
TM9Y080C16MP11	CF/CM36D	0.97	0.92	0.97
TM9Y080C16MP11	CF/CM/CU48C	1.00	0.93	1.00
TM9Y080C16MP11	CF/CM/CU48D	1.00	0.93	1.00
TM9Y100C16MP11	CF/CM/CU36C	0.97	0.92	0.97
TM9Y100C16MP11	CF/CM36D	0.98	0.93	0.98
TM9Y100C16MP11	CF/CM/CU48C	1.00	0.94	1.00
TM9Y100C16MP11	CF/CM/CU48D	1.00	0.94	1.00
TM9Y100C20MP11	CF/CM/CU36C	0.99	1.00	1.03
TM9Y100C20MP11	CF/CM36D	0.99	1.01	1.03
TM9Y100C20MP11	CF/CM/CU48C	1.00	0.98	1.00
TM9Y100C20MP11	CF/CM/CU48D	1.00	0.98	1.00
TM9Y120D20MP11	CF/CM36D	0.97	0.90	0.97
TM9Y120D20MP11	CF/CM/CU48D	1.00	0.92	1.00
TMLV060A12MP12C	CF/CM36A	0.96	0.89	1.00
TMLV060A12MP12C	CF/CM/CU36B	0.97	0.91	1.01
TMLV080B12MP12C	CF/CM/CU36B	0.96	0.89	1.00
TMLV080B12MP12C	CF/CM/CU36C	0.96	0.89	1.00
TMLV080B12MP12C	CF/CM/CU48C	0.99	0.94	0.99
TMLV080C16MP12C	CF/CM/CU36C	0.97	0.91	0.97
TMLV080C16MP12C	CF/CM36D	0.97	0.91	0.97
TMLV080C16MP12C	CF/CM/CU48C	1.00	0.93	1.00
TMLV080C16MP12C	CF/CM/CU48D	1.00	0.93	1.00
TMLV100C16MP12C	CF/CM/CU36C	0.97	0.91	0.97
TMLV100C16MP12C	CF/CM36D	0.97	0.91	0.97
TMLV100C16MP12C	CF/CM/CU48C	1.00	0.93	1.00

## FURNACE MULTIPLIERS - 3 TON (Continued)

Furnaces	Coil	T.C.	S.C.	KW
TMLV100C16MP12C	CF/CM/CU48D	1.00	0.93	1.00
TMLV100C20MP12C	CF/CM/CU36C	0.99	0.99	0.99
TMLV100C20MP12C	CF/CM36D	0.99	0.99	0.99
TMLV100C20MP12C	CF/CM/CU48C	1.00	0.98	1.00
TMLV100C20MP12C	CF/CM/CU48D	1.00	0.98	1.00
TMLV120C20MP12C	CF/CM/CU36C	0.99	0.99	0.99
TMLV120C20MP12C	CF/CM36D	0.99	0.99	0.99
TMLV120C20MP12C	CF/CM/CU48C	1.00	0.98	1.00
TMLV120C20MP12C	CF/CM/CU48D	1.00	0.98	1.00
TMLX060A12MP11	CF/CM/CU36B	0.96	0.90	1.00
TMLX080B12MP11	CF/CM/CU36B	0.97	0.92	1.01
TMLX080B12MP11	CF/CM/CU36C	0.97	0.93	1.01
TMLX080B12MP11	CF/CM/CU48C	1.00	0.94	1.00
TMLX080C16MP11	CF/CM/CU36C	0.97	0.90	0.97
TMLX080C16MP11	CF/CM36D	0.98	0.92	0.98
TMLX080C16MP11	CF/CM/CU48C	1.00	0.92	1.00
TMLX080C16MP11	CF/CM/CU48D	1.00	0.93	1.00
TMLX100C16MP11	CF/CM/CU36C	0.97	0.90	0.97
TMLX100C16MP11	CF/CM36D	0.98	0.92	0.98
TMLX100C16MP11	CF/CM/CU48C	1.00	0.92	1.00
TMLX100C16MP11	CF/CM/CU48D	1.00	0.93	1.00
TMLX100C20MP11	CF/CM/CU36C	0.98	0.93	0.98
TMLX100C20MP11	CF/CM36D	0.98	0.93	0.98
TMLX100C20MP11	CF/CM/CU48C	1.00	0.94	1.00
TMLX100C20MP11	CF/CM/CU48D	1.00	0.94	1.00
TMLX120C20MP11	CF/CM/CU36C	0.98	0.93	0.98
TMLX120C20MP11	CF/CM36D	0.98	0.93	0.98
TMLX120C20MP11	CF/CM/CU48C	1.00	0.94	1.00
TMLX120C20MP11	CF/CM/CU48D	1.00	0.94	1.00
TP9C060B12MP13C	CF/CM/CU36B	0.96	0.89	1.00
TP9C060B12MP13C	CF/CM/CU36C	0.97	0.93	1.01
TP9C060B12MP13C	CF/CM/CU48C	0.99	0.94	0.99
TP9C080B12MP13C	CF/CM/CU36B	0.97	0.91	1.01
TP9C080B12MP13C	CF/CM/CU36C	0.97	0.90	1.01
TP9C080B12MP13C	CF/CM/CU48C	0.99	0.92	0.99
TP9C080C16MP13C	CF/CM/CU36C	0.97	0.91	0.97
TP9C080C16MP13C	CF/CM36D	0.97	0.91	0.97
TP9C080C16MP13C	CF/CM/CU48C	1.00	0.93	1.00
TP9C080C16MP13C	CF/CM/CU48D	1.00	0.93	1.00
TP9C080C16MP13C	CF/CM/CU36C	0.98	0.93	0.98
TP9C100C16MP13C	CF/CM/CU36C	0.98	0.93	0.98
TP9C100C16MP13C	CF/CM36D	0.97	0.91	0.97
TP9C100C16MP13C	CF/CM/CU48C	1.00	0.95	1.00
TP9C100C16MP13C	CF/CM/CU48D	1.00	0.93	1.00
TP9C100C20MP13C	CF/CM/CU36C	0.98	0.98	1.02
TP9C100C20MP13C	CF/CM36D	0.98	0.97	0.98
TP9C100C20MP13C	CF/CM/CU48C	1.00	0.96	1.00
TP9C100C20MP13C	CF/CM/CU48D	1.00	0.96	1.00
TP9C120D20MP13C	CF/CM36D	0.98	0.95	0.98
TP9C120D20MP13C	CF/CM/CU48D	1.00	0.94	1.00
TPLC060A12MP13C	CF/CM36A	0.96	0.89	1.00
TPLC060A12MP13C	CF/CM/CU36B	0.97	0.91	1.01
TPLC080B12MP13C	CF/CM/CU36B	0.96	0.89	1.00
TPLC080B12MP13C	CF/CM/CU36C	0.96	0.89	1.00
TPLC080B12MP13C	CF/CM/CU48C	0.99	0.94	0.99
TPLC080C16MP13C	CF/CM/CU36C	0.97	0.91	0.97



**FURNACE MULTIPLIERS - 3 TON (Continued)**

Furnaces	Coil	T.C.	S.C.	KW
TPLC080C16MP13C	CF/CM36D	0.97	0.91	0.97
TPLC080C16MP13C	CF/CM/CU48C	1.00	0.93	1.00
TPLC080C16MP13C	CF/CM/CU48D	1.00	0.93	1.00
TPLC100C16MP13C	CF/CM/CU36C	0.97	0.91	0.97
TPLC100C16MP13C	CF/CM36D	0.97	0.91	0.97
TPLC100C16MP13C	CF/CM/CU48C	1.00	0.93	1.00
TPLC100C16MP13C	CF/CM/CU48D	1.00	0.93	1.00
TPLC100C20MP13C	CF/CM/CU36C	0.99	0.99	0.99
TPLC100C20MP13C	CF/CM36D	0.99	0.99	0.99
TPLC100C20MP13C	CF/CM/CU48C	1.00	0.98	1.00
TPLC100C20MP13C	CF/CM/CU48D	1.00	0.98	1.00
TPLC120C20MP13C	CF/CM/CU36C	0.99	0.99	0.99
TPLC120C20MP13C	CF/CM36D	0.99	0.99	0.99
TPLC120C20MP13C	CF/CM/CU48C	1.00	0.98	1.00
TPLC120C20MP13C	CF/CM/CU48D	1.00	0.98	1.00
YP9C060B12MP13C	CF/CM/CU36B	0.96	0.89	1.00
YP9C060B12MP13C	CF/CM/CU36C	0.97	0.93	1.01
YP9C060B12MP13C	CF/CM/CU48C	0.99	0.94	0.99
YP9C080B12MP13C	CF/CM/CU36B	0.97	0.91	1.01
YP9C080B12MP13C	CF/CM/CU36C	0.97	0.90	1.01
YP9C080B12MP13C	CF/CM/CU48C	0.99	0.92	0.99
YP9C080C16MP13C	CF/CM/CU36C	0.97	0.91	0.97
YP9C080C16MP13C	CF/CM36D	0.97	0.91	0.97
YP9C080C16MP13C	CF/CM/CU48C	1.00	0.93	1.00
YP9C080C16MP13C	CF/CM/CU48D	1.00	0.93	1.00
YP9C100C16MP13C	CF/CM/CU36C	0.98	0.93	0.98
YP9C100C16MP13C	CF/CM36D	0.97	0.91	0.97
YP9C100C16MP13C	CF/CM/CU48C	1.00	0.95	1.00
YP9C100C16MP13C	CF/CM/CU48D	1.00	0.93	1.00

**FURNACE MULTIPLIERS - 3 TON (Continued)**

Furnaces	Coil	T.C.	S.C.	KW
YP9C100C20MP13C	CF/CM/CU36C	0.98	0.98	1.02
YP9C100C20MP13C	CF/CM36D	0.98	0.97	0.98
YP9C100C20MP13C	CF/CM/CU48C	1.00	0.96	1.00
YP9C100C20MP13C	CF/CM/CU48D	1.00	0.96	1.00
YP9C120D20MP13C	CF/CM36D	0.98	0.95	0.98
YP9C120D20MP13C	CF/CM/CU48D	1.00	0.94	1.00
YPLC060A12MP13C	CF/CM36A	0.96	0.89	1.00
YPLC060A12MP13C	CF/CM/CU36B	0.97	0.91	1.01
YPLC080B12MP13C	CF/CM/CU36B	0.96	0.89	1.00
YPLC080B12MP13C	CF/CM/CU36C	0.96	0.89	1.00
YPLC080B12MP13C	CF/CM/CU48C	0.99	0.94	0.99
YPLC080C16MP13C	CF/CM/CU36C	0.97	0.91	0.97
YPLC080C16MP13C	CF/CM36D	0.97	0.91	0.97
YPLC080C16MP13C	CF/CM/CU48C	1.00	0.93	1.00
YPLC080C16MP13C	CF/CM/CU48D	1.00	0.93	1.00
YPLC100C16MP13C	CF/CM/CU36C	0.97	0.91	0.97
YPLC100C16MP13C	CF/CM36D	0.97	0.91	0.97
YPLC100C16MP13C	CF/CM/CU48C	1.00	0.93	1.00
YPLC100C16MP13C	CF/CM/CU48D	1.00	0.93	1.00
YPLC100C20MP13C	CF/CM/CU36C	0.99	0.99	0.99
YPLC100C20MP13C	CF/CM36D	0.99	0.99	0.99
YPLC100C20MP13C	CF/CM/CU48C	1.00	0.98	1.00
YPLC100C20MP13C	CF/CM/CU48D	1.00	0.98	1.00
YPLC120C20MP13C	CF/CM/CU36C	0.99	0.99	0.99
YPLC120C20MP13C	CF/CM36D	0.99	0.99	0.99
YPLC120C20MP13C	CF/CM/CU48C	1.00	0.98	1.00
YPLC120C20MP13C	CF/CM/CU48D	1.00	0.98	1.00

HEATING PERFORMANCE DATA										
CONDENSING UNIT MODEL NO		YHG36B21S								
AIR TEMP. ENTERING OUTDOOR UNIT (°F)	AIR TEMP. ENTERING INDOOR COIL (°F)	ID CFM								
		950			1200			1450		
		MBH	COP	KW	MBH	COP	KW	MBH	COP	KW
60	60	42.0	4.56	2.70	43.0	4.80	2.63	44.0	5.03	2.57
	70	40.9	4.07	2.97	42.0	4.32	2.88	43.1	4.56	2.79
	80	39.8	3.59	3.25	41.0	3.84	3.14	42.2	4.09	3.02
47	60	36.3	4.11	2.59	37.0	4.31	2.52	37.8	4.52	2.45
	70	35.3	3.65	2.87	36.1	3.84	2.79	36.9	4.04	2.71
	80	34.2	3.19	3.15	35.2	3.37	3.06	36.1	3.56	2.97
40	60	33.0	3.81	2.54	33.6	3.97	2.49	34.3	4.13	2.43
	70	32.3	3.40	2.82	33.0	3.55	2.76	33.7	3.71	2.69
	80	31.7	2.99	3.11	32.4	3.13	3.03	33.1	3.28	2.95
30	60	26.5	3.13	2.49	28.0	3.36	2.45	29.5	3.59	2.41
	70	26.9	2.89	2.76	27.7	3.03	2.71	28.5	3.17	2.67
	80	27.3	2.65	3.03	27.4	2.70	2.98	27.5	2.75	2.93
17	60	23.7	2.97	2.34	23.9	2.98	2.35	24.0	2.99	2.35
	70	22.7	2.60	2.59	22.9	2.63	2.58	23.0	2.65	2.57
	80	21.7	2.24	2.84	21.8	2.28	2.81	22.0	2.32	2.78
10	60	20.3	2.54	2.34	19.7	2.44	2.36	19.02	2.34	2.38
	70	20.0	2.30	2.57	19.8	2.25	2.60	19.5	2.20	2.62
	80	19.6	2.05	2.80	19.9	2.05	2.84	20.1	2.05	2.87
0	60	15.8	2.13	2.16	15.3	2.04	2.18	14.8	1.96	2.20
	70	15.6	1.92	2.38	15.4	1.88	2.40	15.3	1.84	2.43
	80	15.3	1.72	2.59	15.5	1.72	2.63	15.7	1.71	2.66
-10	60	11.5	1.59	2.09	11.1	1.53	2.11	10.7	1.47	2.13
	70	11.3	1.44	2.30	11.2	1.41	2.32	11.0	1.37	2.35
	80	11.1	1.28	2.51	11.2	1.28	2.54	11.3	1.28	2.57
-20	60	7.1	1.02	2.02	6.8	0.98	2.04	6.6	0.94	2.05
	70	7.0	0.92	2.22	6.9	0.90	2.24	6.8	0.88	2.27
	80	6.8	0.82	2.42	6.9	0.82	2.45	7.0	0.82	2.48

NOTE: ALL CAPACITIES INCLUDE INDOOR FAN HEAT. KW VALUES ARE FOR THE SYSTEM (OUTDOOR + INDOOR).

Yellow shaded cells are AHRI High Heating conditions.

Orange shaded cells are AHRI Low Heating conditions.

#### Multipliers for determining the performance with other indoor sections.

#### COIL MULTIPLIERS - 3 TON

Air Handler	Coil	MBH	COP	KW
AE36BX21	–	0.98	0.98	1.00
AE36CX21	–	0.98	1.00	0.98
AE42CX21	–	1.01	1.01	1.01
AE48CX21	–	1.00	1.00	1.00
AE48DX21	–	1.01	1.04	0.97
AVC36BX21	–	0.98	0.96	1.02
AVC36CX21	–	0.97	0.97	1.00
AVC42CX21	–	1.01	0.98	1.03
AVC48CX21	–	1.01	0.99	1.02
AVC48DX21	–	1.01	1.01	1.01
ME12BN21	CF/CM36B	0.99	0.99	0.99
ME12CN21	CF/CM36C	0.98	0.99	0.99
ME12CN21	CF/CM48C	1.01	1.01	1.01
ME14DN21	CF/CM36D	0.98	1.00	0.98

#### COIL MULTIPLIERS - 3 TON

Air Handler	Coil	MBH	COP	KW
ME14DN21	CF/CM48D	1.01	1.01	1.00
ME16CN21	CF/CM36C	0.99	1.01	0.98
ME16CN21	CF/CM48C	1.01	1.02	0.99
ME20DN21	CF/CM36D	1.01	1.07	0.94
ME20DN21	CF/CM48D	1.01	1.07	0.94
MVC12BN21	CF/CM36B	0.98	0.97	1.00
MVC12CN21	CF/CM36C	0.98	0.99	0.98
MVC12CN21	CF/CM48C	1.01	1.00	1.01
MVC14DN21	CF/CM36D	0.99	1.03	0.96
MVC14DN21	CF/CM48D	1.01	1.01	1.00
MVC16CN21	CF/CM36C	0.98	1.00	0.98
MVC16CN21	CF/CM48C	1.01	1.01	1.00
MVC20DN21	CF/CM36D	0.99	1.05	0.95
MVC20DN21	CF/CM48D	1.01	1.05	0.96

## FURNACE MULTIPLIERS - 3 TON

Furnaces	Coil	MBH	COP	KW
TM8V060A12MP12C	CF/CM36A	0.98	0.94	1.04
TM8V060A12MP12C	CF/CM/CU36B	0.99	0.96	1.03
TM8V080B12MP12C	CF/CM/CU36B	0.98	0.94	1.04
TM8V080B12MP12C	CF/CM/CU36C	0.98	0.95	1.03
TM8V080B12MP12C	CF/CM/CU48C	1.01	0.97	1.04
TM8V080C16MP12C	CF/CM/CU36C	0.98	0.97	1.01
TM8V080C16MP12C	CF/CM36D	0.98	0.97	1.01
TM8V080C16MP12C	CF/CM/CU48C	1.01	0.98	1.03
TM8V080C16MP12C	CF/CM/CU48D	1.01	0.98	1.03
TM8V100C16MP12C	CF/CM/CU36C	0.98	0.97	1.01
TM8V100C16MP12C	CF/CM36D	0.98	0.97	1.01
TM8V100C16MP12C	CF/CM/CU48C	1.01	0.98	1.03
TM8V100C16MP12C	CF/CM/CU48D	1.01	0.98	1.03
TM8V100C20MP12C	CF/CM/CU36C	1.00	1.02	0.98
TM8V100C20MP12C	CF/CM36D	1.00	1.02	0.98
TM8V100C20MP12C	CF/CM/CU48C	1.01	1.03	0.98
TM8V100C20MP12C	CF/CM/CU48D	1.01	1.03	0.98
TM8V120C20MP12C	CF/CM/CU36C	1.00	1.02	0.98
TM8V120C20MP12C	CF/CM36D	1.00	1.02	0.98
TM8V120C20MP12C	CF/CM/CU48C	1.01	1.03	0.98
TM8V120C20MP12C	CF/CM/CU48D	1.01	1.03	0.98
TM8X060A12MP11	CF/CM/CU36B	0.98	0.95	1.03
TM8X080B12MP11	CF/CM/CU36B	0.99	0.96	1.03
TM8X080B12MP11	CF/CM/CU36C	0.99	0.97	1.02
TM8X080B12MP11	CF/CM/CU48C	1.01	0.99	1.02
TM8X080C16MP11	CF/CM/CU36C	0.98	0.97	1.01
TM8X080C16MP11	CF/CM36D	0.98	0.98	1.00
TM8X080C16MP11	CF/CM/CU48C	1.01	0.98	1.03
TM8X080C16MP11	CF/CM/CU48D	1.01	0.99	1.02
TM8X100C16MP11	CF/CM/CU36C	0.98	0.97	1.01
TM8X100C16MP11	CF/CM36D	0.98	0.98	1.00
TM8X100C16MP11	CF/CM/CU48C	1.01	0.98	1.03
TM8X100C16MP11	CF/CM/CU48D	1.01	0.99	1.02
TM8X100C20MP11	CF/CM/CU36C	0.98	0.99	0.99
TM8X100C20MP11	CF/CM36D	0.98	0.99	0.99
TM8X100C20MP11	CF/CM/CU48C	1.01	1.00	1.01
TM8X100C20MP11	CF/CM/CU48D	1.01	1.00	1.01
TM8X120C20MP11	CF/CM/CU36C	0.98	0.99	0.99
TM8X120C20MP11	CF/CM36D	0.98	0.99	0.99
TM8X120C20MP11	CF/CM/CU48C	1.01	1.00	1.01
TM8X120C20MP11	CF/CM/CU48D	1.01	1.00	1.01
TM8Y060A12MP11	CF/CM/CU36B	0.98	0.95	1.03
TM8Y080B12MP11	CF/CM/CU36B	0.99	0.96	1.03
TM8Y080B12MP11	CF/CM/CU36C	0.99	0.97	1.02
TM8Y080B12MP11	CF/CM/CU48C	1.01	0.99	1.02
TM8Y080C16MP11	CF/CM/CU36C	0.98	0.97	1.01
TM8Y080C16MP11	CF/CM36D	0.98	0.98	1.00
TM8Y080C16MP11	CF/CM/CU48C	1.01	0.98	1.03
TM8Y080C16MP11	CF/CM/CU48D	1.01	0.99	1.02
TM8Y100C16MP11	CF/CM/CU36C	0.98	0.97	1.01
TM8Y100C16MP11	CF/CM36D	0.98	0.98	1.00
TM8Y100C16MP11	CF/CM/CU48C	1.01	0.98	1.03
TM8Y100C16MP11	CF/CM/CU48D	1.01	0.99	1.02
TM8Y100C20MP11	CF/CM/CU36C	0.98	0.99	0.99
TM8Y100C20MP11	CF/CM36D	0.98	0.99	0.99

## FURNACE MULTIPLIERS - 3 TON (Continued)

Furnaces	Coil	MBH	COP	KW
TM8Y100C20MP11	CF/CM/CU48C	1.01	1.00	1.01
TM8Y100C20MP11	CF/CM/CU48D	1.01	1.00	1.01
TM8Y120C20MP11	CF/CM/CU36C	0.98	0.99	0.99
TM8Y120C20MP11	CF/CM36D	0.98	0.99	0.99
TM8Y120C20MP11	CF/CM/CU48C	1.01	1.00	1.01
TM8Y120C20MP11	CF/CM/CU48D	1.01	1.00	1.01
TM9E060B12MP11	CF/CM/CU36B	0.99	0.95	1.04
TM9E060B12MP11	CF/CM/CU36C	0.99	0.96	1.03
TM9E060B12MP11	CF/CM/CU48C	1.01	0.97	1.04
TM9E080B12MP11	CF/CM/CU36B	0.99	0.96	1.03
TM9E080B12MP11	CF/CM/CU36C	0.99	0.97	1.02
TM9E080B12MP11	CF/CM/CU48C	1.01	0.97	1.04
TM9E080C16MP11	CF/CM/CU36C	0.98	0.97	1.01
TM9E080C16MP11	CF/CM36D	0.98	0.97	1.01
TM9E080C16MP11	CF/CM/CU48C	1.01	0.98	1.03
TM9E080C16MP11	CF/CM/CU48D	1.01	0.98	1.03
TM9E100C16MP11	CF/CM/CU36C	0.98	0.97	1.01
TM9E100C16MP11	CF/CM36D	0.98	0.98	1.00
TM9E100C16MP11	CF/CM/CU48C	1.01	0.99	1.02
TM9E100C16MP11	CF/CM/CU48D	1.01	0.99	1.02
TM9E100C20MP11	CF/CM/CU36C	1.01	1.02	0.99
TM9E100C20MP11	CF/CM36D	1.01	1.03	0.98
TM9E100C20MP11	CF/CM/CU48C	1.01	1.03	0.98
TM9E100C20MP11	CF/CM/CU48D	1.01	1.03	0.98
TM9E120D20MP11	CF/CM36D	0.98	0.97	1.00
TM9E120D20MP11	CF/CM/CU48D	1.01	0.99	1.02
TM9V060B12MP12C	CF/CM/CU36B	0.98	0.94	1.04
TM9V060B12MP12C	CF/CM/CU36C	0.99	0.96	1.03
TM9V060B12MP12C	CF/CM/CU48C	1.01	0.97	1.04
TM9V080B12MP12C	CF/CM/CU36B	0.99	0.96	1.03
TM9V080B12MP12C	CF/CM/CU36C	0.98	0.96	1.02
TM9V080B12MP12C	CF/CM/CU48C	1.01	0.97	1.04
TM9V080C16MP12C	CF/CM/CU36C	0.98	0.97	1.02
TM9V080C16MP12C	CF/CM36D	0.98	0.97	1.02
TM9V080C16MP12C	CF/CM/CU48C	1.01	0.98	1.03
TM9V080C16MP12C	CF/CM/CU48D	1.01	0.98	1.03
TM9V100C16MP12C	CF/CM/CU36C	0.98	0.98	1.00
TM9V100C16MP12C	CF/CM36D	0.98	0.98	1.00
TM9V100C16MP12C	CF/CM/CU48C	1.01	1.01	1.00
TM9V100C16MP12C	CF/CM/CU48D	1.01	0.99	1.02
TM9V100C20MP12C	CF/CM/CU36C	1.00	1.00	1.00
TM9V100C20MP12C	CF/CM36D	0.99	1.01	0.99
TM9V100C20MP12C	CF/CM/CU48C	1.01	1.01	1.00
TM9V100C20MP12C	CF/CM/CU48D	1.01	1.02	1.00
TM9V120D20MP12C	CF/CM36D	0.99	1.00	0.99
TM9V120D20MP12C	CF/CM/CU48D	1.01	1.01	1.00
TM9Y060B12MP11	CF/CM/CU36B	0.99	0.95	1.04
TM9Y060B12MP11	CF/CM/CU36C	0.99	0.96	1.03
TM9Y060B12MP11	CF/CM/CU48C	1.01	0.97	1.04
TM9Y080B12MP11	CF/CM/CU36B	0.99	0.96	1.03
TM9Y080B12MP11	CF/CM/CU36C	0.99	0.97	1.02
TM9Y080B12MP11	CF/CM/CU48C	1.01	0.97	1.04
TM9Y080C16MP11	CF/CM/CU36C	0.98	0.97	1.01
TM9Y080C16MP11	CF/CM36D	0.98	0.97	1.01
TM9Y080C16MP11	CF/CM/CU48C	1.01	0.98	1.03

## FURNACE MULTIPLIERS - 3 TON (Continued)

Furnaces	Coil	MBH	COP	KW
TM9Y080C16MP11	CF/CM/CU48D	1.01	0.98	1.03
TM9Y100C16MP11	CF/CM/CU36C	0.98	0.97	1.01
TM9Y100C16MP11	CF/CM36D	0.98	0.98	1.00
TM9Y100C16MP11	CF/CM/CU48C	1.01	0.99	1.02
TM9Y100C16MP11	CF/CM/CU48D	1.01	0.99	1.02
TM9Y100C20MP11	CF/CM/CU36C	1.01	1.02	0.99
TM9Y100C20MP11	CF/CM36D	1.01	1.03	0.98
TM9Y100C20MP11	CF/CM/CU48C	1.01	1.03	0.98
TM9Y100C20MP11	CF/CM/CU48D	1.01	1.03	0.98
TM9Y120D20MP11	CF/CM36D	0.98	0.97	1.00
TM9Y120D20MP11	CF/CM/CU48D	1.01	0.99	1.02
TMLV060A12MP12C	CF/CM36A	0.98	0.94	1.04
TMLV060A12MP12C	CF/CM/CU36B	0.99	0.96	1.03
TMLV080B12MP12C	CF/CM/CU36B	0.98	0.94	1.04
TMLV080B12MP12C	CF/CM/CU36C	0.98	0.95	1.03
TMLV080B12MP12C	CF/CM/CU48C	1.01	0.97	1.04
TMLV080C16MP12C	CF/CM/CU36C	0.98	0.97	1.01
TMLV080C16MP12C	CF/CM36D	0.98	0.97	1.01
TMLV080C16MP12C	CF/CM/CU48C	1.01	0.98	1.03
TMLV080C16MP12C	CF/CM/CU48D	1.01	0.98	1.03
TMLV100C16MP12C	CF/CM/CU36C	0.98	0.97	1.01
TMLV100C16MP12C	CF/CM36D	0.98	0.97	1.01
TMLV100C16MP12C	CF/CM/CU48C	1.01	0.98	1.03
TMLV100C16MP12C	CF/CM/CU48D	1.01	0.98	1.03
TMLV100C20MP12C	CF/CM/CU36C	1.00	1.02	0.98
TMLV100C20MP12C	CF/CM36D	1.00	1.02	0.98
TMLV100C20MP12C	CF/CM/CU48C	1.01	1.03	0.98
TMLV100C20MP12C	CF/CM/CU48D	1.01	1.03	0.98
TMLV120C20MP12C	CF/CM/CU36C	1.00	1.02	0.98
TMLV120C20MP12C	CF/CM36D	1.00	1.02	0.98
TMLV120C20MP12C	CF/CM/CU48C	1.01	1.03	0.98
TMLV120C20MP12C	CF/CM/CU48D	1.01	1.03	0.98
TMLX060A12MP11	CF/CM/CU36B	0.98	0.95	1.03
TMLX080B12MP11	CF/CM/CU36B	0.99	0.96	1.03
TMLX080B12MP11	CF/CM/CU36C	0.99	0.97	1.02
TMLX080B12MP11	CF/CM/CU48C	1.01	0.99	1.02
TMLX080C16MP11	CF/CM/CU36C	0.98	0.97	1.01
TMLX080C16MP11	CF/CM36D	0.98	0.98	1.00
TMLX080C16MP11	CF/CM/CU48C	1.01	0.98	1.03
TMLX080C16MP11	CF/CM/CU48D	1.01	0.99	1.02
TMLX100C16MP11	CF/CM/CU36C	0.98	0.97	1.01
TMLX100C16MP11	CF/CM36D	0.98	0.98	1.00
TMLX100C16MP11	CF/CM/CU48C	1.01	0.98	1.03
TMLX100C16MP11	CF/CM/CU48D	1.01	0.99	1.02
TMLX100C20MP11	CF/CM/CU36C	0.98	0.99	0.99
TMLX100C20MP11	CF/CM36D	0.98	0.99	0.99
TMLX100C20MP11	CF/CM/CU48C	1.01	1.00	1.01
TMLX100C20MP11	CF/CM/CU48D	1.01	1.00	1.01
TMLX120C20MP11	CF/CM/CU36C	0.98	0.99	0.99
TMLX120C20MP11	CF/CM36D	0.98	0.99	0.99
TMLX120C20MP11	CF/CM/CU48C	1.01	1.00	1.01
TMLX120C20MP11	CF/CM/CU48D	1.01	1.00	1.01
TP9C060B12MP13C	CF/CM/CU36B	0.98	0.94	1.04
TP9C060B12MP13C	CF/CM/CU36C	0.99	0.96	1.03
TP9C060B12MP13C	CF/CM/CU48C	1.01	0.97	1.04

## FURNACE MULTIPLIERS - 3 TON (Continued)

Furnaces	Coil	MBH	COP	KW
TP9C080B12MP13C	CF/CM/CU36B	0.99	0.96	1.03
TP9C080B12MP13C	CF/CM/CU36C	0.98	0.96	1.02
TP9C080B12MP13C	CF/CM/CU48C	1.01	0.97	1.04
TP9C080C16MP13C	CF/CM/CU36C	0.98	0.97	1.02
TP9C080C16MP13C	CF/CM36D	0.98	0.97	1.02
TP9C080C16MP13C	CF/CM/CU48C	1.01	0.98	1.03
TP9C080C16MP13C	CF/CM/CU48D	1.01	0.98	1.03
TP9C100C16MP13C	CF/CM/CU36C	0.98	0.98	1.00
TP9C100C16MP13C	CF/CM36D	0.98	0.98	1.00
TP9C100C16MP13C	CF/CM/CU48C	1.01	1.01	1.00
TP9C100C16MP13C	CF/CM/CU48D	1.01	0.99	1.02
TP9C100C20MP13C	CF/CM/CU36C	1.00	1.00	1.00
TP9C100C20MP13C	CF/CM36D	0.99	1.01	0.99
TP9C100C20MP13C	CF/CM/CU48C	1.01	1.01	1.00
TP9C100C20MP13C	CF/CM/CU48D	1.01	1.02	1.00
TP9C120D20MP13C	CF/CM36D	0.99	1.00	0.99
TP9C120D20MP13C	CF/CM/CU48D	1.01	1.01	1.00
TPLC060A12MP13C	CF/CM36A	0.98	0.94	1.04
TPLC060A12MP13C	CF/CM/CU36B	0.99	0.96	1.03
TPLC080B12MP13C	CF/CM/CU36B	0.98	0.94	1.04
TPLC080B12MP13C	CF/CM/CU36C	0.98	0.95	1.03
TPLC080B12MP13C	CF/CM/CU48C	1.01	0.97	1.04
TPLC080C16MP13C	CF/CM/CU36C	0.98	0.97	1.01
TPLC080C16MP13C	CF/CM36D	0.98	0.97	1.01
TPLC080C16MP13C	CF/CM/CU48C	1.01	0.98	1.03
TPLC080C16MP13C	CF/CM/CU48D	1.01	0.98	1.03
TPLC100C16MP13C	CF/CM/CU36C	0.98	0.97	1.01
TPLC100C16MP13C	CF/CM36D	0.98	0.97	1.01
TPLC100C16MP13C	CF/CM/CU48C	1.01	0.98	1.03
TPLC100C16MP13C	CF/CM/CU48D	1.01	0.98	1.03
TPLC100C20MP13C	CF/CM/CU36C	1.00	1.02	0.98
TPLC100C20MP13C	CF/CM36D	1.00	1.02	0.98
TPLC100C20MP13C	CF/CM/CU48C	1.01	1.03	0.98
TPLC100C20MP13C	CF/CM/CU48D	1.01	1.03	0.98
TPLC120C20MP13C	CF/CM/CU36C	1.00	1.02	0.98
TPLC120C20MP13C	CF/CM36D	1.00	1.02	0.98
TPLC120C20MP13C	CF/CM/CU48C	1.01	1.03	0.98
TPLC120C20MP13C	CF/CM/CU48D	1.01	1.03	0.98
YP9C060B12MP13C	CF/CM/CU36B	0.98	0.94	1.04
YP9C060B12MP13C	CF/CM/CU36C	0.99	0.96	1.03
YP9C060B12MP13C	CF/CM/CU48C	1.01	0.97	1.04
YP9C080B12MP13C	CF/CM/CU36B	0.99	0.96	1.03
YP9C080B12MP13C	CF/CM/CU36C	0.98	0.96	1.02
YP9C080B12MP13C	CF/CM/CU48C	1.01	0.97	1.04
YP9C080C16MP13C	CF/CM/CU36C	0.98	0.97	1.02
YP9C080C16MP13C	CF/CM36D	0.98	0.97	1.02
YP9C080C16MP13C	CF/CM/CU48C	1.01	0.98	1.03
YP9C080C16MP13C	CF/CM/CU48D	1.01	0.98	1.03
YP9C100C16MP13C	CF/CM/CU36C	0.98	0.98	1.00
YP9C100C16MP13C	CF/CM36D	0.98	0.98	1.00
YP9C100C16MP13C	CF/CM/CU48C	1.01	1.01	1.00
YP9C100C16MP13C	CF/CM/CU48D	1.01	0.99	1.02
YP9C100C20MP13C	CF/CM/CU36C	1.00	1.00	1.00
YP9C100C20MP13C	CF/CM36D	0.99	1.01	0.99
YP9C100C20MP13C	CF/CM/CU48C	1.01	1.01	1.00

**FURNACE MULTIPLIERS - 3 TON (Continued)**

Furnaces	Coil	MBH	COP	KW
YP9C100C20MP13C	CF/CM/CU48D	1.01	1.02	1.00
YP9C120D20MP13C	CF/CM36D	0.99	1.00	0.99
YP9C120D20MP13C	CF/CM/CU48D	1.01	1.01	1.00
YPLC060A12MP13C	CF/CM36A	0.98	0.94	1.04
YPLC060A12MP13C	CF/CM/CU36B	0.99	0.96	1.03
YPLC080B12MP13C	CF/CM/CU36B	0.98	0.94	1.04
YPLC080B12MP13C	CF/CM/CU36C	0.98	0.95	1.03
YPLC080B12MP13C	CF/CM/CU48C	1.01	0.97	1.04
YPLC080C16MP13C	CF/CM/CU36C	0.98	0.97	1.01
YPLC080C16MP13C	CF/CM36D	0.98	0.97	1.01
YPLC080C16MP13C	CF/CM/CU48C	1.01	0.98	1.03
YPLC080C16MP13C	CF/CM/CU48D	1.01	0.98	1.03
YPLC100C16MP13C	CF/CM/CU36C	0.98	0.97	1.01

**FURNACE MULTIPLIERS - 3 TON (Continued)**

Furnaces	Coil	MBH	COP	KW
YPLC100C16MP13C	CF/CM36D	0.98	0.97	1.01
YPLC100C16MP13C	CF/CM/CU48C	1.01	0.98	1.03
YPLC100C16MP13C	CF/CM/CU48D	1.01	0.98	1.03
YPLC100C20MP13C	CF/CM/CU36C	1.00	1.02	0.98
YPLC100C20MP13C	CF/CM36D	1.00	1.02	0.98
YPLC100C20MP13C	CF/CM/CU48C	1.01	1.03	0.98
YPLC100C20MP13C	CF/CM/CU48D	1.01	1.03	0.98
YPLC120C20MP13C	CF/CM/CU36C	1.00	1.02	0.98
YPLC120C20MP13C	CF/CM36D	1.00	1.02	0.98
YPLC120C20MP13C	CF/CM/CU48C	1.01	1.03	0.98
YPLC120C20MP13C	CF/CM/CU48D	1.01	1.03	0.98

**PERFORMANCE DATA - 3.5 TON**

CONDENSER-ONLY DATA (OUTDOOR UNIT)																
MODEL	SATURATED SUCTION @ COMPRESSOR		Outdoor Ambient Temperature													
			65 °F		75 °F		85 °F		95 °F		105 °F		115 °F		125 °F	
	T (°F)	P (PSIG)	MBH	KW	MBH	KW	MBH	KW	MBH	KW	MBH	KW	MBH	KW	MBH	KW
YHG42B21S	35	107	39.5	1.77	36.9	2.07	34.3	2.38	31.7	2.66	29.1	2.89	26.5	3.12	23.9	3.60
	40	119	43.6	1.79	41.0	2.10	38.3	2.44	35.4	2.70	33.0	2.95	30.3	3.21	27.6	3.60
	45	130	47.8	1.87	46.5	2.16	42.8	2.44	39.0	2.73	35.3	3.02	34.1	3.30	31.4	3.59
	50	143	50.5	1.82	47.9	2.13	45.3	2.45	42.7	2.76	40.1	3.08	37.5	3.39	34.9	3.71
	55	156	56.2	1.87	53.3	2.16	50.4	2.45	47.6	2.80	44.9	3.14	41.8	3.49	38.9	3.61
	60	170	60.4	1.89	57.4	2.18	54.5	2.47	51.5	2.83	49.6	3.04	45.6	3.58	42.7	3.62

**Notes:**

- For Outdoor Unit (Condenser) performance only. Data does not include the effects of air handler power or heat.
- Performance based on 15°F subcooling and 15°F superheat at the Outdoor Unit base valves.
  - Increase capacity by 1% for each 2°F increase in subcooling.
  - Decrease capacity by 1% for each 2°F decrease in subcooling.
- Maximum recommended condensing temperature is 140°F.

COOLING PERFORMANCE DATA																
AIR CONDITIONER MODEL NO.		YHG42B21S														
AIR TEMP. ENTERING OUTDOOR UNIT (°F)	IDCFM	1150					1400					1650				
	ID DB (°F)	80	80	75	80	80	80	80	75	80	80	80	80	75	80	80
	ID WB (°F)	57	62	62	67	72	57	62	62	67	72	57	62	62	67	72
65	T.C.	40.1	42.9	43.0	47.5	51.8	42.5	44.4	44.4	48.9	52.9	45.0	45.9	45.8	50.3	54.1
	S.C.	40.1	37.1	31.3	31.4	24.7	42.5	40.9	34.3	33.9	26.1	45.0	44.7	37.3	36.5	27.6
	KW	2.18	2.21	2.21	2.23	2.24	2.27	2.29	2.30	2.32	2.33	2.37	2.38	2.39	2.40	2.42
75	T.C.	38.8	41.4	41.4	45.8	50.3	41.1	42.7	42.6	47.1	51.7	43.5	44.1	43.9	48.4	53.0
	S.C.	38.8	36.4	30.6	30.8	24.1	41.1	40.3	33.6	33.4	25.9	43.5	44.1	36.6	36.0	27.7
	KW	2.38	2.41	2.43	2.44	2.44	2.48	2.51	2.51	2.53	2.53	2.57	2.60	2.60	2.61	2.62
85	T.C.	37.2	39.3	39.4	43.5	49.0	39.5	40.6	40.5	44.8	50.5	41.7	41.9	41.7	46.0	51.9
	S.C.	37.2	35.3	29.7	29.7	23.5	39.5	39.1	32.6	32.4	25.3	41.7	41.9	35.6	35.1	27.1
	KW	2.67	2.69	2.70	2.71	2.55	2.76	2.79	2.79	2.80	2.64	2.86	2.88	2.88	2.89	2.74
95	T.C.	35.7	37.3	37.4	41.3	47.7	37.8	38.5	38.5	42.5	49.3	39.9	39.8	39.5	43.6	50.8
	S.C.	35.7	34.2	28.7	28.5	22.8	37.8	38.0	31.7	31.4	24.6	39.9	39.8	34.6	34.3	26.5
	KW	2.95	2.97	2.97	2.98	2.66	3.05	3.06	3.06	3.07	2.75	3.14	3.16	3.15	3.16	2.85
105	T.C.	34.1	35.3	35.3	39.0	45.1	36.1	36.7	36.3	40.1	46.4	38.1	38.0	37.3	41.2	47.8
	S.C.	34.1	33.2	27.7	26.1	21.9	36.1	36.4	30.6	28.7	23.7	38.1	38.0	33.5	31.3	25.5
	KW	3.24	3.26	3.26	3.28	3.04	3.34	3.36	3.35	3.37	3.13	3.44	3.46	3.44	3.46	3.22
115	T.C.	32.6	33.4	33.2	36.8	42.5	34.5	34.8	34.1	37.8	43.6	36.4	36.2	35.1	38.7	44.8
	S.C.	32.6	32.1	26.7	23.8	21.1	34.5	34.8	29.5	26.0	22.8	36.4	36.2	32.3	28.2	24.5
	KW	3.53	3.55	3.55	3.57	3.41	3.64	3.65	3.64	3.66	3.50	3.74	3.75	3.73	3.76	3.58
125	T.C.	31.1	31.4	31.1	34.6	39.8	32.8	33.0	32.0	35.4	40.8	34.6	34.5	32.8	36.3	41.8
	S.C.	31.1	31.0	25.7	21.4	20.3	32.8	33.0	28.4	23.3	21.9	34.6	34.5	31.1	25.2	23.5
	KW	3.81	3.84	3.84	3.86	3.78	3.93	3.94	3.93	3.96	3.87	4.05	4.05	4.01	4.05	3.95

NOTE: ALL CAPACITIES INCLUDE INDOOR FAN HEAT. KW VALUES ARE FOR THE SYSTEM (OUTDOOR + INDOOR).

Green shaded cells are ACCA (TVA) conditions.

Blue shaded cells are AHRI conditions.

#### Multipliers for determining the performance with other indoor sections.

NOTE: For dry bulb temperatures different than those listed (between 73-87 °F), sensible capacity increases by 1060 BTUH per 1000 CFM per degree above the listed temperature and decreases by 1060 BTUH per 1000 CFM per degree below the listed temperature.

#### COIL MULTIPLIERS - 3.5 TON

Air Handler	Coil	T.C.	S.C.	KW
-	CF/CM/CU48C	1.00	0.97	1.06
-	CF/CM/CU48C	1.00	0.97	1.06
-	CF/CM/CU48C	1.01	1.01	1.06
AE42CX21	-	0.99	0.94	0.99
AE43CX21	-	1.00	0.98	1.00
AE48CX21	-	0.99	0.94	0.99
AE48DX21	-	1.00	0.97	1.00
AE60CX21	-	1.00	0.98	1.00
AE60CX22	-	1.00	0.98	1.00
AP48CX21	-	0.98	0.97	1.04
AVC42CX21	-	0.99	0.97	0.99
AVC48CX21	-	0.99	0.95	0.99
AVC48DX21	-	0.99	0.95	0.99

#### COIL MULTIPLIERS - 3.5 TON

Air Handler	Coil	T.C.	S.C.	KW
AVC49CX21	-	1.00	1.00	1.00
ME14DN21	CF/CM48D	0.99	0.94	0.99
ME14DN21	CF/CM60D	1.00	0.98	1.00
ME16CN21	CF/CM48C	0.99	0.98	0.99
ME16CN21	CF/CM60C	1.00	1.02	1.00
ME20DN21	CF/CM48D	1.00	0.98	1.00
ME20DN21	CF/CM60D	1.01	1.01	1.01
MVC14DN21	CF/CM48D	1.00	0.97	1.00
MVC14DN21	CF/CM60D	1.01	1.01	1.01
MVC16CN21	CF/CM48C	1.00	0.98	1.00
MVC16CN21	CF/CM60C	1.01	1.01	1.01
MVC20DN21	CF/CM48D	1.00	0.97	1.00
MVC20DN21	CF/CM60D	1.01	1.01	1.01

## FURNACE MULTIPLIERS - 3.5 TON

Furnaces	Coil	T.C.	S.C.	KW
TM8V080C16MP12C	CF/CM/CU48C	0.99	0.96	0.99
TM8V080C16MP12C	CF/CM/CU48D	0.99	0.96	0.99
TM8V080C16MP12C	CF/CM/CU60C	0.99	0.97	0.99
TM8V080C16MP12C	CF/CM/CU60D	1.00	0.99	1.00
TM8V100C16MP12C	CF/CM/CU48C	0.99	0.96	0.99
TM8V100C16MP12C	CF/CM/CU48D	0.99	0.96	0.99
TM8V100C16MP12C	CF/CM/CU60C	0.99	0.97	0.99
TM8V100C16MP12C	CF/CM/CU60D	1.00	0.99	1.00
TM8V100C20MP12C	CF/CM/CU48C	0.99	0.96	0.99
TM8V100C20MP12C	CF/CM/CU48D	0.99	0.96	0.99
TM8V100C20MP12C	CF/CM/CU60C	1.00	0.99	1.00
TM8V100C20MP12C	CF/CM/CU60D	1.00	0.99	1.00
TM8V120C20MP12C	CF/CM/CU48C	0.99	0.96	0.99
TM8V120C20MP12C	CF/CM/CU48D	0.99	0.96	0.99
TM8V120C20MP12C	CF/CM/CU60C	1.00	0.99	1.00
TM8V120C20MP12C	CF/CM/CU60D	1.00	0.99	1.00
TM8X080C16MP11	CF/CM/CU48C	0.98	0.93	0.98
TM8X080C16MP11	CF/CM/CU48D	0.99	1.00	0.99
TM8X080C16MP11	CF/CM/CU60C	1.00	1.04	1.00
TM8X080C16MP11	CF/CM/CU60D	1.00	1.04	1.00
TM8X100C16MP11	CF/CM/CU48C	0.98	0.93	0.98
TM8X100C16MP11	CF/CM/CU48D	0.99	1.00	0.99
TM8X100C16MP11	CF/CM/CU60C	1.00	1.04	1.00
TM8X100C16MP11	CF/CM/CU60D	1.00	1.04	1.00
TM8X100C20MP11	CF/CM/CU48C	0.99	0.96	0.99
TM8X100C20MP11	CF/CM/CU48D	0.99	0.96	0.99
TM8X100C20MP11	CF/CM/CU60C	1.00	0.99	1.00
TM8X100C20MP11	CF/CM/CU60D	1.00	0.99	1.00
TM8X120C20MP11	CF/CM/CU48C	0.99	0.96	0.99
TM8X120C20MP11	CF/CM/CU48D	0.99	0.96	0.99
TM8X120C20MP11	CF/CM/CU60C	1.00	0.99	1.00
TM8X120C20MP11	CF/CM/CU60D	1.00	0.99	1.00
TM8Y080C16MP11	CF/CM/CU48C	0.98	0.93	0.98
TM8Y080C16MP11	CF/CM/CU48D	0.99	1.00	0.99
TM8Y080C16MP11	CF/CM/CU60C	1.00	1.04	1.00
TM8Y080C16MP11	CF/CM/CU60D	1.00	1.04	1.00
TM8Y100C16MP11	CF/CM/CU48C	0.98	0.93	0.98
TM8Y100C16MP11	CF/CM/CU48D	0.99	1.00	0.99
TM8Y100C16MP11	CF/CM/CU60C	1.00	1.04	1.00
TM8Y100C16MP11	CF/CM/CU60D	1.00	1.04	1.00
TM8Y100C20MP11	CF/CM/CU48C	0.99	0.96	0.99
TM8Y100C20MP11	CF/CM/CU48D	0.99	0.96	0.99
TM8Y100C20MP11	CF/CM/CU60C	1.00	0.99	1.00
TM8Y100C20MP11	CF/CM/CU60D	1.00	0.99	1.00
TM8Y120C20MP11	CF/CM/CU48C	0.99	0.96	0.99
TM8Y120C20MP11	CF/CM/CU48D	0.99	0.96	0.99
TM8Y120C20MP11	CF/CM/CU60C	1.00	0.99	1.00
TM8Y120C20MP11	CF/CM/CU60D	1.00	0.99	1.00
TM9E080C16MP11	CF/CM/CU48C	0.98	0.92	0.98
TM9E080C16MP11	CF/CM/CU48D	0.99	0.98	0.99
TM9E080C16MP11	CF/CM/CU60C	0.99	0.99	0.99
TM9E080C16MP11	CF/CM/CU60D	1.00	1.01	1.00
TM9E100C16MP11	CF/CM/CU48C	0.98	0.92	0.98
TM9E100C16MP11	CF/CM/CU48D	0.99	0.98	0.99
TM9E100C16MP11	CF/CM/CU60C	1.00	1.01	1.00

## FURNACE MULTIPLIERS - 3.5 TON (Continued)

Furnaces	Coil	T.C.	S.C.	KW
TM9E100C16MP11	CF/CM/CU60D	1.00	1.01	1.00
TM9E100C20MP11	CF/CM/CU48C	0.98	0.94	0.98
TM9E100C20MP11	CF/CM/CU48D	0.99	0.95	0.99
TM9E100C20MP11	CF/CM/CU60C	1.00	1.03	1.00
TM9E100C20MP11	CF/CM/CU60D	1.00	0.99	1.00
TM9E120D20MP11	CF/CM/CU48D	0.99	0.96	0.99
TM9E120D20MP11	CF/CM/CU60D	1.00	1.00	1.00
TM9V080C16MP12C	CF/CM/CU48C	0.98	0.94	0.98
TM9V080C16MP12C	CF/CM/CU48D	0.98	0.94	0.98
TM9V080C16MP12C	CF/CM/CU60C	0.99	0.99	0.99
TM9V080C16MP12C	CF/CM/CU60D	0.99	0.98	0.99
TM9V100C16MP12C	CF/CM/CU48C	0.99	0.96	0.99
TM9V100C16MP12C	CF/CM/CU48D	0.99	0.95	0.99
TM9V100C16MP12C	CF/CM/CU60C	1.00	0.99	1.00
TM9V100C16MP12C	CF/CM/CU60D	1.00	0.99	1.00
TM9V100C20MP12C	CF/CM/CU48C	0.99	0.96	0.99
TM9V100C20MP12C	CF/CM/CU48D	0.99	0.96	0.99
TM9V100C20MP12C	CF/CM/CU60C	1.00	0.99	1.00
TM9V100C20MP12C	CF/CM/CU60D	1.00	0.99	1.00
TM9V120D20MP12C	CF/CM/CU48D	0.99	0.96	0.97
TM9V120D20MP12C	CF/CM/CU60D	1.00	0.99	0.96
TM9Y080C16MP11	CF/CM/CU48C	0.98	0.92	0.98
TM9Y080C16MP11	CF/CM/CU48D	0.99	0.98	0.99
TM9Y080C16MP11	CF/CM/CU60C	0.99	0.99	0.99
TM9Y080C16MP11	CF/CM/CU60D	1.00	1.01	1.00
TM9Y100C16MP11	CF/CM/CU48C	0.98	0.92	0.98
TM9Y100C16MP11	CF/CM/CU48D	0.99	0.98	0.99
TM9Y100C16MP11	CF/CM/CU60C	1.00	1.01	1.00
TM9Y100C16MP11	CF/CM/CU60D	1.00	1.01	1.00
TM9Y100C20MP11	CF/CM/CU48C	0.98	0.94	0.98
TM9Y100C20MP11	CF/CM/CU48D	0.99	0.95	0.99
TM9Y100C20MP11	CF/CM/CU60C	1.00	1.03	1.00
TM9Y100C20MP11	CF/CM/CU60D	1.00	0.99	1.00
TM9Y120D20MP11	CF/CM/CU48D	0.99	0.96	0.99
TM9Y120D20MP11	CF/CM/CU60D	1.00	1.00	1.00
TMLV080C16MP12C	CF/CM/CU48C	0.99	0.96	0.99
TMLV080C16MP12C	CF/CM/CU48D	0.99	0.96	0.99
TMLV080C16MP12C	CF/CM/CU60C	0.99	0.97	0.99
TMLV080C16MP12C	CF/CM/CU60D	1.00	0.99	1.00
TMLV100C16MP12C	CF/CM/CU48C	0.99	0.96	0.99
TMLV100C16MP12C	CF/CM/CU48D	0.99	0.96	0.99
TMLV100C16MP12C	CF/CM/CU60C	0.99	0.97	0.99
TMLV100C16MP12C	CF/CM/CU60D	1.00	0.99	1.00
TMLV100C20MP12C	CF/CM/CU48C	0.99	0.96	0.99
TMLV100C20MP12C	CF/CM/CU48D	0.99	0.96	0.99
TMLV100C20MP12C	CF/CM/CU60C	1.00	0.99	1.00
TMLV100C20MP12C	CF/CM/CU60D	1.00	0.99	1.00
TMLV120C20MP12C	CF/CM/CU48C	0.99	0.96	0.99
TMLV120C20MP12C	CF/CM/CU48D	0.99	0.96	0.99
TMLV120C20MP12C	CF/CM/CU60C	1.00	0.99	1.00
TMLV120C20MP12C	CF/CM/CU60D	1.00	0.99	1.00
TMLX080C16MP11	CF/CM/CU48C	0.98	0.93	0.98
TMLX080C16MP11	CF/CM/CU48D	0.99	1.00	0.99
TMLX080C16MP11	CF/CM/CU60C	1.00	1.04	1.00
TMLX080C16MP11	CF/CM/CU60D	1.00	1.04	1.00

**FURNACE MULTIPLIERS - 3.5 TON (Continued)**

Furnaces	Coil	T.C.	S.C.	KW
TMLX100C16MP11	CF/CM/CU48C	0.98	0.93	0.98
TMLX100C16MP11	CF/CM/CU48D	0.99	1.00	0.99
TMLX100C16MP11	CF/CM/CU60C	1.00	1.04	1.00
TMLX100C16MP11	CF/CM/CU60D	1.00	1.04	1.00
TMLX100C20MP11	CF/CM/CU48C	0.99	0.96	0.99
TMLX100C20MP11	CF/CM/CU48D	0.99	0.96	0.99
TMLX100C20MP11	CF/CM/CU60C	1.00	0.99	1.00
TMLX100C20MP11	CF/CM/CU60D	1.00	0.99	1.00
TMLX120C20MP11	CF/CM/CU48C	0.99	0.96	0.99
TMLX120C20MP11	CF/CM/CU48D	0.99	0.96	0.99
TMLX120C20MP11	CF/CM/CU60C	1.00	0.99	1.00
TMLX120C20MP11	CF/CM/CU60D	1.00	0.99	1.00
TP9C080C16MP13C	CF/CM/CU48C	0.98	0.94	0.98
TP9C080C16MP13C	CF/CM/CU48D	0.98	0.94	0.98
TP9C080C16MP13C	CF/CM/CU60C	0.99	0.99	0.99
TP9C080C16MP13C	CF/CM/CU60D	0.99	0.98	0.99
TP9C100C16MP13C	CF/CM/CU48C	0.99	0.96	0.99
TP9C100C16MP13C	CF/CM/CU48D	0.99	0.95	0.99
TP9C100C16MP13C	CF/CM/CU60C	1.00	0.99	1.00
TP9C100C16MP13C	CF/CM/CU60D	1.00	0.99	1.00
TP9C100C20MP13C	CF/CM/CU48C	0.99	0.96	0.99
TP9C100C20MP13C	CF/CM/CU48D	0.99	0.96	0.99
TP9C100C20MP13C	CF/CM/CU60C	1.00	0.99	1.00
TP9C100C20MP13C	CF/CM/CU60D	1.00	0.99	1.00
TP9C120D20MP13C	CF/CM/CU48D	0.99	0.96	0.97
TP9C120D20MP13C	CF/CM/CU60D	1.00	0.99	0.96
TPLC080C16MP13C	CF/CM/CU48C	0.99	0.96	0.99
TPLC080C16MP13C	CF/CM/CU48D	0.99	0.96	0.99
TPLC080C16MP13C	CF/CM/CU60C	0.99	0.97	0.99
TPLC080C16MP13C	CF/CM/CU60D	1.00	0.99	1.00
TPLC100C16MP13C	CF/CM/CU48C	0.99	0.96	0.99
TPLC100C16MP13C	CF/CM/CU48D	0.99	0.96	0.99
TPLC100C16MP13C	CF/CM/CU60C	0.99	0.97	0.99
TPLC100C16MP13C	CF/CM/CU60D	1.00	0.99	1.00
TPLC100C20MP13C	CF/CM/CU48C	0.99	0.96	0.99
TPLC100C20MP13C	CF/CM/CU48D	0.99	0.96	0.99
TPLC100C20MP13C	CF/CM/CU60C	1.00	0.99	1.00

**FURNACE MULTIPLIERS - 3.5 TON (Continued)**

Furnaces	Coil	T.C.	S.C.	KW
TPLC100C20MP13C	CF/CM/CU60D	1.00	0.99	1.00
TPLC120C20MP13C	CF/CM/CU48C	0.99	0.96	0.99
TPLC120C20MP13C	CF/CM/CU48D	0.99	0.96	0.99
TPLC120C20MP13C	CF/CM/CU60C	1.00	0.99	1.00
TPLC120C20MP13C	CF/CM/CU60D	1.00	0.99	1.00
YP9C080C16MP13C	CF/CM/CU48C	0.98	0.94	0.98
YP9C080C16MP13C	CF/CM/CU48D	0.98	0.94	0.98
YP9C080C16MP13C	CF/CM/CU60C	0.99	0.99	0.99
YP9C080C16MP13C	CF/CM/CU60D	0.99	0.98	0.99
YP9C100C16MP13C	CF/CM/CU48C	0.99	0.96	0.99
YP9C100C16MP13C	CF/CM/CU48D	0.99	0.95	0.99
YP9C100C16MP13C	CF/CM/CU60C	1.00	0.99	1.00
YP9C100C16MP13C	CF/CM/CU60D	1.00	0.99	1.00
YP9C100C20MP13C	CF/CM/CU48C	0.99	0.96	0.99
YP9C100C20MP13C	CF/CM/CU48D	0.99	0.96	0.99
YP9C100C20MP13C	CF/CM/CU60C	1.00	0.99	1.00
YP9C100C20MP13C	CF/CM/CU60D	1.00	0.99	1.00
YP9C120D20MP13C	CF/CM/CU48D	0.99	0.96	0.97
YP9C120D20MP13C	CF/CM/CU60D	1.00	0.99	0.96
YPLC080C16MP13C	CF/CM/CU48C	0.99	0.96	0.99
YPLC080C16MP13C	CF/CM/CU48D	0.99	0.96	0.99
YPLC080C16MP13C	CF/CM/CU60C	0.99	0.97	0.99
YPLC080C16MP13C	CF/CM/CU60D	1.00	0.99	1.00
YPLC100C16MP13C	CF/CM/CU48C	0.99	0.96	0.99
YPLC100C16MP13C	CF/CM/CU48D	0.99	0.96	0.99
YPLC100C16MP13C	CF/CM/CU60C	0.99	0.97	0.99
YPLC100C16MP13C	CF/CM/CU60D	1.00	0.99	1.00
YPLC100C20MP13C	CF/CM/CU48C	0.99	0.96	0.99
YPLC100C20MP13C	CF/CM/CU48D	0.99	0.96	0.99
YPLC100C20MP13C	CF/CM/CU60C	1.00	0.99	1.00
YPLC100C20MP13C	CF/CM/CU60D	1.00	0.99	1.00
YPLC120C20MP13C	CF/CM/CU48C	0.99	0.96	0.99
YPLC120C20MP13C	CF/CM/CU48D	0.99	0.96	0.99
YPLC120C20MP13C	CF/CM/CU60C	1.00	0.99	1.00
YPLC120C20MP13C	CF/CM/CU60D	1.00	0.99	1.00



HEATING PERFORMANCE DATA										
CONDENSING UNIT MODEL NO			YHG42B21S							
AIR TEMP. ENTERING OUTDOOR UNIT (°F)	AIR TEMP. ENTERING INDOOR COIL (°F)	ID CFM								
		1150			1400			1650		
		MBH	COP	KW	MBH	COP	KW	MBH	COP	KW
60	60	49.4	4.48	3.23	49.5	4.63	3.14	49.6	4.77	3.05
	70	48.5	4.04	3.55	48.8	4.19	3.45	49.1	4.34	3.35
	80	47.6	3.60	3.87	48.1	3.75	3.76	48.6	3.90	3.65
47	60	41.5	4.17	2.91	42.1	4.23	2.92	42.8	4.29	2.92
	70	41.3	3.73	3.29	42.0	3.83	3.25	42.7	3.93	3.21
	80	41.2	3.29	3.66	41.9	3.43	3.58	42.5	3.57	3.49
40	60	38.9	3.96	2.87	39.1	4.04	2.84	39.4	4.12	2.80
	70	37.6	3.52	3.16	38.1	3.62	3.12	38.5	3.71	3.07
	80	36.3	3.08	3.44	37.0	3.19	3.39	37.7	3.30	3.34
30	60	32.5	3.47	2.75	33.3	3.57	2.73	34.1	3.68	2.71
	70	32.3	3.14	3.05	32.7	3.23	3.00	33.2	3.31	2.96
	80	32.1	2.81	3.34	32.2	2.88	3.28	32.2	2.94	3.21
17	60	27.4	3.14	2.56	27.7	3.16	2.57	28.0	3.17	2.58
	70	26.4	2.78	2.82	26.8	2.82	2.82	27.3	2.86	2.82
	80	25.4	2.42	3.07	26.0	2.48	3.07	26.6	2.54	3.07
10	60	20.3	2.54	2.34	19.7	2.44	2.36	19.02	2.34	2.38
	70	20.0	2.30	2.57	19.8	2.25	2.60	19.5	2.20	2.62
	80	19.6	2.05	2.80	19.9	2.05	2.84	20.1	2.05	2.87
0	60	18.5	2.37	2.27	17.9	2.27	2.29	17.3	2.18	2.31
	70	18.2	2.14	2.50	18.0	2.09	2.52	17.8	2.04	2.55
	80	17.9	1.91	2.72	18.1	1.91	2.75	18.3	1.91	2.79
-10	60	13.4	1.82	2.14	12.9	1.75	2.15	12.5	1.67	2.17
	70	13.1	1.64	2.35	13.0	1.61	2.37	12.9	1.57	2.40
	80	12.9	1.47	2.56	13.1	1.47	2.59	13.2	1.46	2.62
-20	60	8.2	1.20	2.00	8.0	1.15	2.02	7.7	1.10	2.03
	70	8.1	1.08	2.20	8.0	1.06	2.22	7.9	1.03	2.25
	80	8.0	0.97	2.40	8.1	0.97	2.43	8.2	0.96	2.46

**NOTE:** ALL CAPACITIES INCLUDE INDOOR FAN HEAT. KW VALUES ARE FOR THE SYSTEM (OUTDOOR + INDOOR).

Yellow shaded cells are AHRI High Heating conditions.

Orange shaded cells are AHRI Low Heating conditions.

**Multipliers for determining the performance with other indoor sections.**

#### COIL MULTIPLIERS - 3.5 TON

Air Handler	Coil	MBH	COP	KW
-	CF/CM/CU48C	1.00	0.92	1.07
-	CF/CM/CU48C	1.00	0.92	1.07
-	CF/CM/CU48C	0.98	0.93	1.03
AE42CX21	-	1.01	1.00	1.01
AE43CX21	-	0.98	1.02	0.96
AE48CX21	-	1.01	1.02	0.99
AE48DX21	-	1.01	1.04	0.98
AE60CX21	-	1.00	1.02	0.98
AE60CX22	-	1.00	1.02	0.98
AP48CX21	-	1.01	0.98	1.03
AVC42CX21	-	1.01	1.01	1.01
AVC48CX21	-	1.01	1.01	1.01
AVC48DX21	-	1.01	1.02	1.00

#### COIL MULTIPLIERS - 3.5 TON

Air Handler	Coil	MBH	COP	KW
AVC49CX21	-	1.00	1.00	1.00
ME14DN21	CF/CM48D	1.01	1.01	1.00
ME14DN21	CF/CM60D	0.99	1.02	0.97
ME16CN21	CF/CM48C	1.01	1.02	1.00
ME16CN21	CF/CM60C	1.01	1.03	0.99
ME20DN21	CF/CM48D	1.01	1.03	0.99
ME20DN21	CF/CM60D	1.00	1.04	0.96
MVC14DN21	CF/CM48D	1.01	1.03	0.99
MVC14DN21	CF/CM60D	0.99	1.04	0.95
MVC16CN21	CF/CM48C	1.01	1.02	0.99
MVC16CN21	CF/CM60C	1.00	1.03	0.97
MVC20DN21	CF/CM48D	1.01	1.03	0.98
MVC20DN21	CF/CM60D	1.00	1.04	0.96

## FURNACE MULTIPLIERS - 3.5 TON

Furnaces	Coil	MBH	COP	KW
TM8V080C16MP12C	CF/CM/CU48C	1.01	0.99	1.02
TM8V080C16MP12C	CF/CM/CU48D	1.01	0.99	1.02
TM8V080C16MP12C	CF/CM/CU60C	1.00	1.00	1.00
TM8V080C16MP12C	CF/CM/CU60D	1.00	1.00	1.00
TM8V100C16MP12C	CF/CM/CU48C	1.01	0.99	1.02
TM8V100C16MP12C	CF/CM/CU48D	1.01	0.99	1.02
TM8V100C16MP12C	CF/CM/CU60C	1.00	1.00	1.00
TM8V100C16MP12C	CF/CM/CU60D	1.00	1.00	1.00
TM8V100C20MP12C	CF/CM/CU48C	1.01	1.01	1.01
TM8V100C20MP12C	CF/CM/CU48D	1.01	1.01	1.01
TM8V100C20MP12C	CF/CM/CU60C	1.00	1.01	0.99
TM8V100C20MP12C	CF/CM/CU60D	1.00	1.02	0.98
TM8V120C20MP12C	CF/CM/CU48C	1.01	1.01	1.01
TM8V120C20MP12C	CF/CM/CU48D	1.01	1.01	1.01
TM8V120C20MP12C	CF/CM/CU60C	1.00	1.01	0.99
TM8V120C20MP12C	CF/CM/CU60D	1.00	1.02	0.98
TM8X080C16MP11	CF/CM/CU48C	1.01	0.99	1.02
TM8X080C16MP11	CF/CM/CU48D	1.01	1.01	1.00
TM8X080C16MP11	CF/CM/CU60C	1.01	1.02	1.00
TM8X080C16MP11	CF/CM/CU60D	1.01	1.03	0.99
TM8X100C16MP11	CF/CM/CU48C	1.01	0.99	1.02
TM8X100C16MP11	CF/CM/CU48D	1.01	1.01	1.00
TM8X100C16MP11	CF/CM/CU60C	1.01	1.02	1.00
TM8X100C16MP11	CF/CM/CU60D	1.01	1.03	0.99
TM8X100C20MP11	CF/CM/CU48C	1.01	1.01	1.01
TM8X100C20MP11	CF/CM/CU48D	1.01	1.01	1.00
TM8X100C20MP11	CF/CM/CU60C	1.00	1.01	0.99
TM8X100C20MP11	CF/CM/CU60D	1.00	1.02	0.98
TM8X120C20MP11	CF/CM/CU48C	1.01	1.01	1.01
TM8X120C20MP11	CF/CM/CU48D	1.01	1.01	1.00
TM8X120C20MP11	CF/CM/CU60C	1.00	1.01	0.99
TM8X120C20MP11	CF/CM/CU60D	1.00	1.02	0.98
TM8Y080C16MP11	CF/CM/CU48C	1.01	0.99	1.02
TM8Y080C16MP11	CF/CM/CU48D	1.01	1.01	1.00
TM8Y080C16MP11	CF/CM/CU60C	1.01	1.02	1.00
TM8Y080C16MP11	CF/CM/CU60D	1.01	1.03	0.99
TM8Y100C16MP11	CF/CM/CU48C	1.01	0.99	1.02
TM8Y100C16MP11	CF/CM/CU48D	1.01	1.01	1.00
TM8Y100C16MP11	CF/CM/CU60C	1.01	1.02	1.00
TM8Y100C16MP11	CF/CM/CU60D	1.01	1.03	0.99
TM8Y100C20MP11	CF/CM/CU48C	1.01	1.01	1.01
TM8Y100C20MP11	CF/CM/CU48D	1.01	1.01	1.00
TM8Y100C20MP11	CF/CM/CU60C	1.00	1.01	0.99
TM8Y100C20MP11	CF/CM/CU60D	1.00	1.02	0.98
TM8Y120C20MP11	CF/CM/CU48C	1.01	1.01	1.01
TM8Y120C20MP11	CF/CM/CU48D	1.01	1.01	1.00
TM8Y120C20MP11	CF/CM/CU60C	1.00	1.01	0.99
TM8Y120C20MP11	CF/CM/CU60D	1.00	1.02	0.98
TM9E080C16MP11	CF/CM/CU48C	1.01	0.98	1.03
TM9E080C16MP11	CF/CM/CU48D	1.01	0.99	1.02
TM9E080C16MP11	CF/CM/CU60C	1.01	0.99	1.02
TM9E080C16MP11	CF/CM/CU60D	1.01	1.00	1.01
TM9E100C16MP11	CF/CM/CU48C	1.01	0.98	1.03
TM9E100C16MP11	CF/CM/CU48D	1.01	1.00	1.01
TM9E100C16MP11	CF/CM/CU60C	1.01	1.01	1.01
TM9E100C16MP11	CF/CM/CU60D	1.01	1.01	1.01

## FURNACE MULTIPLIERS - 3.5 TON (Continued)

Furnaces	Coil	MBH	COP	KW
TM9E100C16MP11	CF/CM/CU60D	1.01	1.01	1.00
TM9E100C20MP11	CF/CM/CU48C	1.01	0.99	1.02
TM9E100C20MP11	CF/CM/CU48D	1.01	0.99	1.02
TM9E100C20MP11	CF/CM/CU60C	1.01	1.02	1.00
TM9E100C20MP11	CF/CM/CU60D	1.00	1.00	1.00
TM9E120D20MP11	CF/CM/CU48D	1.01	1.01	1.01
TM9E120D20MP11	CF/CM/CU60D	1.00	1.02	0.98
TM9V080C16MP12C	CF/CM/CU48C	1.01	0.98	1.03
TM9V080C16MP12C	CF/CM/CU48D	1.01	0.99	1.02
TM9V080C16MP12C	CF/CM/CU60C	1.00	0.99	1.01
TM9V080C16MP12C	CF/CM/CU60D	1.00	0.99	1.01
TM9V100C16MP12C	CF/CM/CU48C	1.01	1.00	1.01
TM9V100C16MP12C	CF/CM/CU48D	1.01	0.99	1.02
TM9V100C16MP12C	CF/CM/CU60C	1.00	1.01	0.99
TM9V100C16MP12C	CF/CM/CU60D	1.00	1.01	0.99
TM9V100C20MP12C	CF/CM/CU48C	1.01	0.99	1.02
TM9V100C20MP12C	CF/CM/CU48D	1.01	1.00	1.01
TM9V100C20MP12C	CF/CM/CU60C	1.00	1.01	0.99
TM9V100C20MP12C	CF/CM/CU60D	1.00	1.01	0.99
TM9V120D20MP12C	CF/CM/CU48D	1.01	1.01	1.00
TM9V120D20MP12C	CF/CM/CU60D	1.00	1.01	0.99
TM9Y080C16MP11	CF/CM/CU48C	1.01	0.98	1.03
TM9Y080C16MP11	CF/CM/CU48D	1.01	0.99	1.02
TM9Y080C16MP11	CF/CM/CU60C	1.01	0.99	1.02
TM9Y080C16MP11	CF/CM/CU60D	1.01	1.00	1.01
TM9Y100C16MP11	CF/CM/CU48C	1.01	0.98	1.03
TM9Y100C16MP11	CF/CM/CU48D	1.01	1.00	1.01
TM9Y100C16MP11	CF/CM/CU60C	1.01	1.01	1.01
TM9Y100C16MP11	CF/CM/CU60D	1.01	1.01	1.00
TM9Y100C20MP11	CF/CM/CU48C	1.01	0.99	1.02
TM9Y100C20MP11	CF/CM/CU48D	1.01	0.99	1.02
TM9Y100C20MP11	CF/CM/CU60C	1.01	1.02	1.00
TM9Y100C20MP11	CF/CM/CU60D	1.00	1.00	1.00
TM9Y120D20MP11	CF/CM/CU48D	1.01	1.01	1.01
TM9Y120D20MP11	CF/CM/CU60D	1.00	1.02	0.98
TMLV080C16MP12C	CF/CM/CU48C	1.01	0.99	1.02
TMLV080C16MP12C	CF/CM/CU48D	1.01	0.99	1.02
TMLV080C16MP12C	CF/CM/CU60C	1.00	1.00	1.00
TMLV080C16MP12C	CF/CM/CU60D	1.00	1.00	1.00
TMLV100C16MP12C	CF/CM/CU48C	1.01	0.99	1.02
TMLV100C16MP12C	CF/CM/CU48D	1.01	0.99	1.02
TMLV100C16MP12C	CF/CM/CU60C	1.00	1.00	1.00
TMLV100C16MP12C	CF/CM/CU60D	1.00	1.00	1.00
TMLV100C20MP12C	CF/CM/CU48C	1.01	1.01	1.01
TMLV100C20MP12C	CF/CM/CU48D	1.01	1.01	1.01
TMLV100C20MP12C	CF/CM/CU60C	1.00	1.01	0.99
TMLV100C20MP12C	CF/CM/CU60D	1.00	1.02	0.98
TMLV120C20MP12C	CF/CM/CU48C	1.01	1.01	1.01
TMLV120C20MP12C	CF/CM/CU48D	1.01	1.01	1.01
TMLV120C20MP12C	CF/CM/CU60C	1.00	1.01	0.99
TMLV120C20MP12C	CF/CM/CU60D	1.00	1.02	0.98
TMLX080C16MP11	CF/CM/CU48C	1.01	0.99	1.02
TMLX080C16MP11	CF/CM/CU48D	1.01	1.01	1.00
TMLX080C16MP11	CF/CM/CU60C	1.01	1.02	1.00
TMLX080C16MP11	CF/CM/CU60D	1.01	1.03	0.99

**FURNACE MULTIPLIERS - 3.5 TON (Continued)**

Furnaces	Coil	MBH	COP	KW
TMLX100C16MP11	CF/CM/CU48C	1.01	0.99	1.02
TMLX100C16MP11	CF/CM/CU48D	1.01	1.01	1.00
TMLX100C16MP11	CF/CM/CU60C	1.01	1.02	1.00
TMLX100C16MP11	CF/CM/CU60D	1.01	1.03	0.99
TMLX100C20MP11	CF/CM/CU48C	1.01	1.01	1.01
TMLX100C20MP11	CF/CM/CU48D	1.01	1.01	1.00
TMLX100C20MP11	CF/CM/CU60C	1.00	1.01	0.99
TMLX100C20MP11	CF/CM/CU60D	1.00	1.02	0.98
TMLX120C20MP11	CF/CM/CU48C	1.01	1.01	1.01
TMLX120C20MP11	CF/CM/CU48D	1.01	1.01	1.00
TMLX120C20MP11	CF/CM/CU60C	1.00	1.01	0.99
TMLX120C20MP11	CF/CM/CU60D	1.00	1.02	0.98
TP9C080C16MP13C	CF/CM/CU48C	1.01	0.98	1.03
TP9C080C16MP13C	CF/CM/CU48D	1.01	0.99	1.02
TP9C080C16MP13C	CF/CM/CU60C	1.00	0.99	1.01
TP9C080C16MP13C	CF/CM/CU60D	1.00	0.99	1.01
TP9C100C16MP13C	CF/CM/CU48C	1.01	1.00	1.01
TP9C100C16MP13C	CF/CM/CU48D	1.01	0.99	1.02
TP9C100C16MP13C	CF/CM/CU60C	1.00	1.01	0.99
TP9C100C16MP13C	CF/CM/CU60D	1.00	1.01	0.99
TP9C100C20MP13C	CF/CM/CU48C	1.01	0.99	1.02
TP9C100C20MP13C	CF/CM/CU48D	1.01	1.00	1.01
TP9C100C20MP13C	CF/CM/CU60C	1.00	1.01	0.99
TP9C100C20MP13C	CF/CM/CU60D	1.00	1.01	0.99
TP9C120D20MP13C	CF/CM/CU48D	1.01	1.01	1.00
TP9C120D20MP13C	CF/CM/CU60D	1.00	1.01	0.99
TPLC080C16MP13C	CF/CM/CU48C	1.01	0.99	1.02
TPLC080C16MP13C	CF/CM/CU48D	1.01	0.99	1.02
TPLC080C16MP13C	CF/CM/CU60C	1.00	1.00	1.00
TPLC080C16MP13C	CF/CM/CU60D	1.00	1.00	1.00
TPLC100C16MP13C	CF/CM/CU48C	1.01	0.99	1.02
TPLC100C16MP13C	CF/CM/CU48D	1.01	0.99	1.02
TPLC100C16MP13C	CF/CM/CU60C	1.00	1.00	1.00
TPLC100C16MP13C	CF/CM/CU60D	1.00	1.00	1.00
TPLC100C20MP13C	CF/CM/CU48C	1.01	1.01	1.01
TPLC100C20MP13C	CF/CM/CU48D	1.01	1.01	1.01
TPLC100C20MP13C	CF/CM/CU60C	1.00	1.00	1.00
TPLC100C20MP13C	CF/CM/CU60D	1.00	1.00	1.00
TPLC120C20MP13C	CF/CM/CU48C	1.01	1.01	1.01
TPLC120C20MP13C	CF/CM/CU48D	1.01	1.01	1.01
TPLC120C20MP13C	CF/CM/CU60C	1.00	1.01	0.99
TPLC120C20MP13C	CF/CM/CU60D	1.00	1.02	0.98

**FURNACE MULTIPLIERS - 3.5 TON (Continued)**

Furnaces	Coil	MBH	COP	KW
TPLC100C20MP13C	CF/CM/CU60D	1.00	1.02	0.98
TPLC120C20MP13C	CF/CM/CU48C	1.01	1.01	1.01
TPLC120C20MP13C	CF/CM/CU48D	1.01	1.01	1.01
TPLC120C20MP13C	CF/CM/CU60C	1.00	1.01	0.99
TPLC120C20MP13C	CF/CM/CU60D	1.00	1.02	0.98
YP9C080C16MP13C	CF/CM/CU48C	1.01	0.98	1.03
YP9C080C16MP13C	CF/CM/CU48D	1.01	0.99	1.02
YP9C080C16MP13C	CF/CM/CU60C	1.00	0.99	1.01
YP9C080C16MP13C	CF/CM/CU60D	1.00	0.99	1.01
YP9C100C16MP13C	CF/CM/CU48C	1.01	1.00	1.01
YP9C100C16MP13C	CF/CM/CU48D	1.01	0.99	1.02
YP9C100C16MP13C	CF/CM/CU60C	1.00	1.01	0.99
YP9C100C16MP13C	CF/CM/CU60D	1.00	1.01	0.99
YP9C100C20MP13C	CF/CM/CU48C	1.01	0.99	1.02
YP9C100C20MP13C	CF/CM/CU48D	1.01	1.00	1.01
YP9C100C20MP13C	CF/CM/CU60C	1.00	1.01	0.99
YP9C100C20MP13C	CF/CM/CU60D	1.00	1.01	0.99
YP9C120D20MP13C	CF/CM/CU48D	1.01	1.01	1.00
YP9C120D20MP13C	CF/CM/CU60D	1.00	1.01	0.99
YPLC080C16MP13C	CF/CM/CU48C	1.01	0.99	1.02
YPLC080C16MP13C	CF/CM/CU48D	1.01	0.99	1.02
YPLC080C16MP13C	CF/CM/CU60C	1.00	1.00	1.00
YPLC080C16MP13C	CF/CM/CU60D	1.00	1.00	1.00
YPLC100C16MP13C	CF/CM/CU48C	1.01	0.99	1.02
YPLC100C16MP13C	CF/CM/CU48D	1.01	0.99	1.02
YPLC100C16MP13C	CF/CM/CU60C	1.00	1.00	1.00
YPLC100C16MP13C	CF/CM/CU60D	1.00	1.00	1.00
YPLC100C20MP13C	CF/CM/CU48C	1.01	1.01	1.01
YPLC100C20MP13C	CF/CM/CU48D	1.01	1.01	1.01
YPLC100C20MP13C	CF/CM/CU60C	1.00	1.01	0.99
YPLC100C20MP13C	CF/CM/CU60D	1.00	1.02	0.98
YPLC120C20MP13C	CF/CM/CU48C	1.01	1.01	1.01
YPLC120C20MP13C	CF/CM/CU48D	1.01	1.01	1.01
YPLC120C20MP13C	CF/CM/CU60C	1.00	1.01	0.99
YPLC120C20MP13C	CF/CM/CU60D	1.00	1.02	0.98

## PERFORMANCE DATA - 4 TON

CONDENSER-ONLY DATA (OUTDOOR UNIT)																
MODEL	SATURATED SUCTION @ COMPRESSOR		Outdoor Ambient Temperature													
			65 °F		75 °F		85 °F		95 °F		105 °F		115 °F		125 °F	
	T (°F)	P (PSIG)	MBH	KW	MBH	KW	MBH	KW	MBH	KW	MBH	KW	MBH	KW	MBH	KW
YHG48B21S	35	107	41.1	1.97	39.4	2.31	37.7	2.64	36.0	2.98	34.3	3.32	32.6	3.66	30.9	3.99
	40	119	46.4	1.99	44.3	2.32	42.1	2.65	40.0	2.99	37.8	3.32	35.7	3.66	33.6	3.99
	45	130	51.8	2.00	49.2	2.33	46.6	2.66	44.0	2.99	41.4	3.32	38.8	3.65	36.2	3.98
	50	143	57.2	2.02	54.1	2.35	51.1	2.67	48.1	3.00	45.0	3.33	42.0	3.65	38.9	3.98
	55	156	62.5	2.04	59.0	2.36	55.6	2.68	52.1	3.00	48.6	3.33	45.1	3.65	41.6	3.97
	60	170	67.9	2.05	64.0	2.37	60.0	2.69	56.1	3.01	52.2	3.33	48.2	3.65	44.3	3.97

## Notes:

- For Outdoor Unit (Condenser) performance only. Data does not include the effects of air handler power or heat.
- Performance based on 15°F subcooling and 15°F superheat at the Outdoor Unit base valves.
  - Increase capacity by 1% for each 2°F increase in subcooling.
  - Decrease capacity by 1% for each 2°F decrease in subcooling.
- Maximum recommended condensing temperature is 140°F.

COOLING PERFORMANCE DATA																	
AIR CONDITIONER MODEL NO.		YHG48B21S															
AIR TEMP. ENTERING OUTDOOR UNIT (°F)	IDCFM	1350					1600					1850					
		ID DB (°F)	80	80	75	80	80	80	80	75	80	80	80	80	75	80	80
		ID WB (°F)	57	62	62	67	72	57	62	62	67	72	57	62	62	67	72
65	T.C.	42.9	47.3	47.4	51.6	55.5	44.9	48.8	48.8	52.8	55.9	46.8	50.4	50.1	54.0	56.3	
	S.C.	42.9	39.1	33.0	32.1	24.4	44.9	42.0	35.3	33.6	25.1	46.8	44.9	37.6	35.1	25.9	
	KW	2.80	2.83	2.82	2.84	2.85	2.92	2.94	2.94	2.96	2.96	3.04	3.05	3.05	3.07	3.08	
75	T.C.	41.4	45.3	45.6	51.0	55.4	43.3	46.7	47.0	52.4	56.5	45.3	48.2	48.3	53.8	57.6	
	S.C.	41.4	38.0	32.2	32.7	25.6	43.3	41.1	34.7	34.9	26.8	45.3	44.2	37.2	37.0	28.0	
	KW	3.08	3.09	3.10	2.82	2.84	3.20	3.20	3.21	2.88	2.90	3.31	3.32	3.32	2.94	2.96	
85	T.C.	39.8	43.3	43.8	50.3	55.3	41.8	44.6	45.1	51.9	57.1	43.8	45.9	46.4	53.6	58.9	
	S.C.	39.8	36.9	31.5	33.3	26.8	41.8	40.2	34.2	36.1	28.4	43.8	43.5	36.9	38.9	30.1	
	KW	3.35	3.35	3.37	2.80	2.83	3.47	3.47	3.48	2.80	2.83	3.59	3.58	3.60	2.81	2.84	
95	T.C.	38.8	41.5	42.4	48.1	53.1	40.6	42.6	43.6	49.7	54.9	42.4	43.7	44.8	51.2	56.6	
	S.C.	38.8	36.3	27.6	32.5	26.0	40.6	39.6	29.7	35.3	27.7	42.4	42.9	31.8	38.1	29.4	
	KW	3.73	3.71	3.73	3.16	3.19	3.84	3.83	3.85	3.16	3.19	3.96	3.94	3.96	3.17	3.20	
105	T.C.	37.7	39.6	40.9	45.9	50.9	39.3	40.6	42.1	47.4	52.6	41.0	41.5	43.2	48.9	54.3	
	S.C.	37.6	35.7	23.7	31.6	25.2	39.3	39.0	25.2	34.4	26.9	41.0	41.5	26.7	37.3	28.7	
	KW	4.11	4.08	4.10	3.51	3.55	4.22	4.19	4.21	3.52	3.55	4.33	4.30	4.32	3.52	3.56	
115	T.C.	36.3	37.9	39.3	43.9	48.7	37.7	39.0	40.4	45.3	50.3	39.2	40.0	41.6	46.7	52.0	
	S.C.	36.2	34.8	24.9	30.8	24.4	37.7	37.6	26.7	33.6	26.2	39.2	40.0	28.5	36.5	28.0	
	KW	4.51	4.48	4.34	3.91	3.95	4.62	4.59	4.43	3.91	3.95	4.73	4.70	4.52	3.92	3.96	
125	T.C.	34.8	36.3	37.7	41.8	46.6	36.2	37.4	38.8	43.2	48.1	37.5	38.5	39.9	44.6	49.6	
	S.C.	34.8	33.9	26.1	29.9	23.7	36.2	36.3	28.2	32.8	25.5	37.5	38.5	30.2	35.6	27.3	
	KW	4.91	4.88	4.59	4.30	4.35	5.02	4.99	4.65	4.31	4.35	5.13	5.11	4.72	4.31	4.36	

**NOTE:** ALL CAPACITIES INCLUDE INDOOR FAN HEAT. KW VALUES ARE FOR THE SYSTEM (OUTDOOR + INDOOR).

Green shaded cells are ACCA (TVA) conditions.

Blue shaded cells are AHRI conditions.

## Multipliers for determining the performance with other indoor sections.

**NOTE:** For dry bulb temperatures different than those listed (between 73-87 °F), sensible capacity increases by 1060 BTUH per 1000 CFM per degree above the listed temperature and decreases by 1060 BTUH per 1000 CFM per degree below the listed temperature.

**COIL MULTIPLIERS - 4 TON**

Air Handler	Coil	T.C.	S.C.	KW
AE60CX22	–	0.99	0.96	0.99
AE60DX21	–	1.03	0.97	1.03
AVC60DX21	–	1.03	0.99	1.03
ME16CN21	CF/CM50C	1.04	1.10	1.04
ME16CN21	CF/CM60C	0.99	0.98	0.99
ME20DN21	CF/CM60D	1.00	0.98	1.00
ME20DN21	CF/CM61D	1.04	1.08	1.04
ME20DN21	CF/CM64D	1.03	0.99	1.03
MV20DN21	CF/CM61D	1.00	1.00	1.00
MVC16CN21	CF/CM50C	1.04	1.08	1.04
MVC16CN21	CF/CM60C	0.99	0.96	0.99
MVC20DN21	CF/CM60D	1.00	0.96	1.00
MVC20DN21	CF/CM64D	1.04	1.02	1.04

**FURNACE MULTIPLIERS - 4 TON**

Furnaces	Coil	T.C.	S.C.	KW
TM8V080C16MP12C	CF/CM50C	1.04	1.08	1.04
TM8V080C16MP12C	CF/CM/CU60C	0.99	0.96	0.99
TM8V080C16MP12C	CF/CM/CU60D	0.99	0.96	0.99
TM8V080C16MP12C	CF/CM61D	1.04	1.07	1.04
TM8V080C16MP12C	CF/CM64D	1.02	0.98	1.02
TM8V100C16MP12C	CF/CM50C	1.04	1.08	1.04
TM8V100C16MP12C	CF/CM/CU60C	0.99	0.96	0.99
TM8V100C16MP12C	CF/CM/CU60D	0.99	0.96	0.99
TM8V100C16MP12C	CF/CM61D	1.04	1.07	1.04
TM8V100C16MP12C	CF/CM64D	1.02	0.98	1.02
TM8V100C20MP12C	CF/CM50C	1.04	1.08	1.04
TM8V100C20MP12C	CF/CM/CU60C	0.99	0.96	0.99
TM8V100C20MP12C	CF/CM/CU60D	0.99	0.96	0.99
TM8V100C20MP12C	CF/CM61D	1.04	1.08	1.04
TM8V100C20MP12C	CF/CM64D	1.02	0.97	1.02
TM8V120C20MP12C	CF/CM50C	1.04	1.08	1.04
TM8V120C20MP12C	CF/CM/CU60C	0.99	0.96	0.99
TM8V120C20MP12C	CF/CM/CU60D	0.99	0.96	0.99
TM8V120C20MP12C	CF/CM61D	1.04	1.08	1.04
TM8V120C20MP12C	CF/CM64D	1.02	0.97	1.02
TM8X080C16MP11	CF/CM50C	1.04	1.11	1.04
TM8X080C16MP11	CF/CM/CU60C	0.99	0.96	0.99
TM8X080C16MP11	CF/CM/CU60D	0.99	0.96	0.99
TM8X080C16MP11	CF/CM61D	1.04	1.07	1.04
TM8X080C16MP11	CF/CM64D	1.02	0.96	1.02
TM8X100C16MP11	CF/CM50C	1.04	1.11	1.04
TM8X100C16MP11	CF/CM/CU60C	0.99	0.96	0.99
TM8X100C16MP11	CF/CM/CU60D	0.99	0.96	0.99
TM8X100C16MP11	CF/CM61D	1.04	1.07	1.04
TM8X100C16MP11	CF/CM64D	1.02	0.96	1.02
TM8X100C20MP11	CF/CM50C	1.04	1.10	1.04
TM8X100C20MP11	CF/CM50C	1.04	1.06	1.04
TM8X100C20MP11	CF/CM/CU60C	0.99	0.96	0.99
TM8X100C20MP11	CF/CM/CU60D	0.99	0.96	0.99
TM8X100C20MP11	CF/CM61D	1.04	1.06	1.04
TM8X100C20MP11	CF/CM64D	1.02	0.97	1.02
TM8X120C20MP11	CF/CM50C	1.04	1.10	1.04
TM8X120C20MP11	CF/CM50C	1.04	1.06	1.04
TM8X120C20MP11	CF/CM/CU60C	0.99	0.96	0.99

**FURNACE MULTIPLIERS - 4 TON (Continued)**

Furnaces	Coil	T.C.	S.C.	KW
TM8X120C20MP11	CF/CM/CU60D	0.99	0.96	0.99
TM8X120C20MP11	CF/CM61D	1.04	1.06	1.04
TM8X120C20MP11	CF/CM64D	1.02	0.97	1.02
TM8Y080C16MP11	CF/CM50C	1.04	1.11	1.04
TM8Y080C16MP11	CF/CM/CU60C	0.99	0.96	0.99
TM8Y080C16MP11	CF/CM/CU60D	0.99	0.96	0.99
TM8Y080C16MP11	CF/CM61D	1.04	1.07	1.04
TM8Y080C16MP11	CF/CM64D	1.02	0.96	1.02
TM8Y100C16MP11	CF/CM50C	1.04	1.11	1.04
TM8Y100C16MP11	CF/CM/CU60C	0.99	0.96	0.99
TM8Y100C16MP11	CF/CM/CU60D	0.99	0.96	0.99
TM8Y100C16MP11	CF/CM61D	1.04	1.07	1.04
TM8Y100C16MP11	CF/CM64D	1.02	0.96	1.02
TM8Y100C20MP11	CF/CM50C	1.04	1.10	1.04
TM8Y100C20MP11	CF/CM50C	1.04	1.06	1.04
TM8Y100C20MP11	CF/CM/CU60C	0.99	0.96	0.99
TM8Y100C20MP11	CF/CM/CU60D	0.99	0.96	0.99
TM8Y100C20MP11	CF/CM61D	1.04	1.06	1.04
TM8Y100C20MP11	CF/CM64D	1.02	0.97	1.02
TM8Y120C20MP11	CF/CM50C	1.04	1.06	1.04
TM8Y120C20MP11	CF/CM50C	1.04	1.10	1.04
TM8Y120C20MP11	CF/CM/CU60C	0.99	0.96	0.99
TM8Y120C20MP11	CF/CM/CU60D	0.99	0.96	0.99
TM8Y120C20MP11	CF/CM61D	1.04	1.06	1.04
TM8Y120C20MP11	CF/CM64D	1.02	0.97	1.02
TM9E080C16MP11	CF/CM50C	1.04	1.07	1.04
TM9E080C16MP11	CF/CM61D	1.04	1.07	1.04
TM9E080C16MP11	CF/CM64D	1.02	0.98	1.02
TM9E100C16MP11	CF/CM50C	1.04	1.08	1.04
TM9E100C16MP11	CF/CM/CU60C	0.98	0.96	1.00
TM9E100C16MP11	CF/CM/CU60D	0.99	0.97	0.99
TM9E100C16MP11	CF/CM61D	1.04	1.08	1.04
TM9E100C16MP11	CF/CM64D	1.02	0.98	1.02
TM9E100C20MP11	CF/CM50C	1.04	1.11	1.04
TM9E100C20MP11	CF/CM/CU60D	0.99	0.96	0.99
TM9E100C20MP11	CF/CM61D	1.04	1.11	1.04
TM9E100C20MP11	CF/CM64D	1.02	1.01	1.02
TM9E120D20MP11	CF/CM/CU60D	0.99	0.96	0.99
TM9E120D20MP11	CF/CM61D	1.04	1.07	1.04
TM9E120D20MP11	CF/CM64D	1.02	0.97	1.02
TM9V080C16MP12C	CF/CM50C	1.04	1.08	1.04
TM9V080C16MP12C	CF/CM/CU60D	0.98	0.95	0.98
TM9V080C16MP12C	CF/CM61D	1.04	1.07	1.04
TM9V080C16MP12C	CF/CM64D	1.02	0.98	1.02
TM9V100C16MP12C	CF/CM50C	1.04	1.08	1.04
TM9V100C16MP12C	CF/CM/CU60C	0.99	0.97	0.99
TM9V100C16MP12C	CF/CM/CU60D	0.99	0.96	0.99
TM9V100C16MP12C	CF/CM61D	1.04	1.08	1.04
TM9V100C16MP12C	CF/CM64D	1.02	0.98	1.02
TM9V100C20MP12C	CF/CM50C	1.04	1.07	1.04
TM9V100C20MP12C	CF/CM/CU60C	0.99	0.96	0.99
TM9V100C20MP12C	CF/CM/CU60D	0.99	0.95	0.99
TM9V100C20MP12C	CF/CM61D	1.04	1.07	1.04
TM9V100C20MP12C	CF/CM64D	1.02	0.99	1.02
TM9V120D20MP12C	CF/CM/CU60D	0.99	0.96	0.99

## FURNACE MULTIPLIERS - 4 TON (Continued)

Furnaces	Coil	T.C.	S.C.	KW
TM9V120D20MP12C	CF/CM61D	1.04	1.07	1.04
TM9V120D20MP12C	CF/CM64D	1.02	0.98	1.02
TM9Y080C16MP11	CF/CM50C	1.04	1.07	1.04
TM9Y080C16MP11	CF/CM61D	1.04	1.07	1.04
TM9Y080C16MP11	CF/CM64D	1.02	0.98	1.02
TM9Y100C16MP11	CF/CM50C	1.04	1.08	1.04
TM9Y100C16MP11	CF/CM/CU60C	0.98	0.96	1.00
TM9Y100C16MP11	CF/CM/CU60D	0.99	0.97	0.99
TM9Y100C16MP11	CF/CM61D	1.04	1.08	1.04
TM9Y100C16MP11	CF/CM64D	1.02	0.98	1.02
TM9Y100C20MP11	CF/CM50C	1.04	1.11	1.04
TM9Y100C20MP11	CF/CM/CU60D	0.99	0.96	0.99
TM9Y100C20MP11	CF/CM61D	1.04	1.11	1.04
TM9Y100C20MP11	CF/CM64D	1.02	1.01	1.02
TM9Y120D20MP11	CF/CM/CU60D	0.99	0.96	0.99
TM9Y120D20MP11	CF/CM61D	1.04	1.07	1.04
TM9Y120D20MP11	CF/CM64D	1.02	0.97	1.02
TMLV080C16MP12C	CF/CM50C	1.04	1.08	1.04
TMLV080C16MP12C	CF/CM/CU60C	0.99	0.96	0.99
TMLV080C16MP12C	CF/CM/CU60D	0.99	0.96	0.99
TMLV080C16MP12C	CF/CM61D	1.04	1.07	1.04
TMLV080C16MP12C	CF/CM64D	1.02	0.98	1.02
TMLV100C16MP12C	CF/CM50C	1.04	1.08	1.04
TMLV100C16MP12C	CF/CM/CU60C	0.99	0.96	0.99
TMLV100C16MP12C	CF/CM/CU60D	0.99	0.96	0.99
TMLV100C16MP12C	CF/CM61D	1.04	1.07	1.04
TMLV100C16MP12C	CF/CM64D	1.02	0.98	1.02
TMLV100C20MP12C	CF/CM50C	1.04	1.08	1.04
TMLV100C20MP12C	CF/CM/CU60C	0.99	0.96	0.99
TMLV100C20MP12C	CF/CM/CU60D	0.99	0.96	0.99
TMLV100C20MP12C	CF/CM61D	1.04	1.08	1.04
TMLV100C20MP12C	CF/CM64D	1.02	0.97	1.02
TMLV120C20MP12C	CF/CM50C	1.04	1.08	1.04
TMLV120C20MP12C	CF/CM/CU60C	0.99	0.96	0.99
TMLV120C20MP12C	CF/CM/CU60D	0.99	0.96	0.99
TMLV120C20MP12C	CF/CM61D	1.04	1.08	1.04
TMLV120C20MP12C	CF/CM64D	1.02	0.97	1.02
TMLX080C16MP11	CF/CM50C	1.04	1.11	1.04
TMLX080C16MP11	CF/CM/CU60C	0.99	0.96	0.99
TMLX080C16MP11	CF/CM/CU60D	0.99	0.96	0.99
TMLX080C16MP11	CF/CM61D	1.04	1.07	1.04
TMLX080C16MP11	CF/CM64D	1.02	0.96	1.02
TMLX100C16MP11	CF/CM50C	1.04	1.11	1.04
TMLX100C16MP11	CF/CM/CU60C	0.99	0.96	0.99
TMLX100C16MP11	CF/CM/CU60D	0.99	0.96	0.99
TMLX100C16MP11	CF/CM61D	1.04	1.07	1.04
TMLX100C16MP11	CF/CM64D	1.02	0.96	1.02
TMLX100C20MP11	CF/CM50C	1.04	1.10	1.04
TMLX100C20MP11	CF/CM50C	1.04	1.06	1.04
TMLX100C20MP11	CF/CM/CU60C	0.99	0.96	0.99
TMLX100C20MP11	CF/CM/CU60D	0.99	0.96	0.99
TMLX100C20MP11	CF/CM61D	1.04	1.06	1.04
TMLX100C20MP11	CF/CM64D	1.02	0.97	1.02
TMLX120C20MP11	CF/CM50C	1.04	1.10	1.04
TMLX120C20MP11	CF/CM50C	1.04	1.06	1.04

## FURNACE MULTIPLIERS - 4 TON (Continued)

Furnaces	Coil	T.C.	S.C.	KW
TMLX120C20MP11	CF/CM/CU60C	0.99	0.96	0.99
TMLX120C20MP11	CF/CM/CU60D	0.99	0.96	0.99
TMLX120C20MP11	CF/CM61D	1.04	1.06	1.04
TMLX120C20MP11	CF/CM64D	1.02	0.97	1.02
TP9C080C16MP13C	CF/CM50C	1.04	1.08	1.04
TP9C080C16MP13C	CF/CM/CU60D	0.98	0.95	0.98
TP9C080C16MP13C	CF/CM61D	1.04	1.07	1.04
TP9C080C16MP13C	CF/CM64D	1.02	0.98	1.02
TP9C100C16MP13C	CF/CM50C	1.04	1.08	1.04
TP9C100C16MP13C	CF/CM/CU60C	0.99	0.97	0.99
TP9C100C16MP13C	CF/CM/CU60D	0.99	0.96	0.99
TP9C100C16MP13C	CF/CM61D	1.04	1.08	1.04
TP9C100C16MP13C	CF/CM64D	1.02	0.98	1.02
TP9C100C20MP13C	CF/CM50C	1.04	1.07	1.04
TP9C100C20MP13C	CF/CM/CU60C	0.99	0.96	0.99
TP9C100C20MP13C	CF/CM/CU60D	0.99	0.95	0.99
TP9C100C20MP13C	CF/CM61D	1.04	1.07	1.04
TP9C100C20MP13C	CF/CM64D	1.02	0.99	1.02
TP9C120D20MP13C	CF/CM/CU60D	0.99	0.96	0.99
TP9C120D20MP13C	CF/CM61D	1.04	1.07	1.04
TP9C120D20MP13C	CF/CM64D	1.02	0.98	1.02
TPLC080C16MP13C	CF/CM50C	1.04	1.08	1.04
TPLC080C16MP13C	CF/CM/CU60C	0.99	0.96	0.99
TPLC080C16MP13C	CF/CM/CU60D	0.99	0.96	0.99
TPLC080C16MP13C	CF/CM61D	1.04	1.07	1.04
TPLC080C16MP13C	CF/CM64D	1.02	0.98	1.02
TPLC100C16MP13C	CF/CM50C	1.04	1.08	1.04
TPLC100C16MP13C	CF/CM/CU60C	0.99	0.96	0.99
TPLC100C16MP13C	CF/CM/CU60D	0.99	0.96	0.99
TPLC100C16MP13C	CF/CM61D	1.04	1.07	1.04
TPLC100C16MP13C	CF/CM64D	1.02	0.98	1.02
TPLC100C20MP13C	CF/CM50C	1.04	1.08	1.04
TPLC100C20MP13C	CF/CM/CU60C	0.99	0.96	0.99
TPLC100C20MP13C	CF/CM/CU60D	0.99	0.96	0.99
TPLC100C20MP13C	CF/CM61D	1.04	1.08	1.04
TPLC100C20MP13C	CF/CM64D	1.02	0.97	1.02
TPLC120C20MP13C	CF/CM50C	1.04	1.08	1.04
TPLC120C20MP13C	CF/CM/CU60C	0.99	0.96	0.99
TPLC120C20MP13C	CF/CM/CU60D	0.99	0.96	0.99
TPLC120C20MP13C	CF/CM61D	1.04	1.08	1.04
TPLC120C20MP13C	CF/CM64D	1.02	0.97	1.02
YP9C080C16MP13C	CF/CM50C	1.04	1.08	1.04
YP9C080C16MP13C	CF/CM/CU60D	0.98	0.95	0.98
YP9C080C16MP13C	CF/CM61D	1.04	1.07	1.04
YP9C080C16MP13C	CF/CM64D	1.02	0.98	1.02
YP9C100C16MP13C	CF/CM50C	1.04	1.08	1.04
YP9C100C16MP13C	CF/CM/CU60C	0.99	0.97	0.99
YP9C100C16MP13C	CF/CM/CU60D	0.99	0.96	0.99
YP9C100C16MP13C	CF/CM61D	1.04	1.08	1.04
YP9C100C16MP13C	CF/CM64D	1.02	0.98	1.02
YP9C100C20MP13C	CF/CM50C	1.04	1.07	1.04
YP9C100C20MP13C	CF/CM/CU60C	0.99	0.96	0.99
YP9C100C20MP13C	CF/CM/CU60D	0.99	0.95	0.99
YP9C100C20MP13C	CF/CM61D	1.04	1.07	1.04
YP9C100C20MP13C	CF/CM64D	1.02	0.99	1.02

**FURNACE MULTIPLIERS - 4 TON (Continued)**

Furnaces	Coil	T.C.	S.C.	KW
YP9C120D20MP13C	CF/CM/CU60D	0.99	0.96	0.99
YP9C120D20MP13C	CF/CM61D	1.04	1.07	1.04
YP9C120D20MP13C	CF/CM64D	1.02	0.98	1.02
YPLC080C16MP13C	CF/CM50C	1.04	1.08	1.04
YPLC080C16MP13C	CF/CM/CU60C	0.99	0.96	0.99
YPLC080C16MP13C	CF/CM/CU60D	0.99	0.96	0.99
YPLC080C16MP13C	CF/CM61D	1.04	1.07	1.04
YPLC080C16MP13C	CF/CM64D	1.02	0.98	1.02
YPLC100C16MP13C	CF/CM50C	1.04	1.08	1.04
YPLC100C16MP13C	CF/CM/CU60C	0.99	0.96	0.99
YPLC100C16MP13C	CF/CM/CU60D	0.99	0.96	0.99
YPLC100C16MP13C	CF/CM61D	1.04	1.07	1.04
YPLC100C16MP13C	CF/CM64D	1.02	0.98	1.02

**FURNACE MULTIPLIERS - 4 TON (Continued)**

Furnaces	Coil	T.C.	S.C.	KW
YPLC100C20MP13C	CF/CM50C	1.04	1.08	1.04
YPLC100C20MP13C	CF/CM/CU60C	0.99	0.96	0.99
YPLC100C20MP13C	CF/CM/CU60D	0.99	0.96	0.99
YPLC100C20MP13C	CF/CM61D	1.04	1.08	1.04
YPLC100C20MP13C	CF/CM64D	1.02	0.97	1.02
YPLC120C20MP13C	CF/CM50C	1.04	1.08	1.04
YPLC120C20MP13C	CF/CM/CU60C	0.99	0.96	0.99
YPLC120C20MP13C	CF/CM/CU60D	0.99	0.96	0.99
YPLC120C20MP13C	CF/CM61D	1.04	1.08	1.04
YPLC120C20MP13C	CF/CM64D	1.02	0.97	1.02

HEATING PERFORMANCE DATA										
CONDENSING UNIT MODEL NO		YHG48B21S								
AIR TEMP. ENTERING OUTDOOR UNIT (°F)	AIR TEMP. ENTERING INDOOR COIL (°F)	ID CFM								
		1350			1600			1850		
		MBH	COP	KW	MBH	COP	KW	MBH	COP	KW
60	60	53.1	4.49	3.5	53.5	4.61	3.41	54.0	4.72	3.35
	70	52.1	4.03	3.8	52.6	4.15	3.71	53.1	4.28	3.64
	80	51.1	3.58	4.2	51.7	3.70	4.09	52.3	3.83	4.00
47	60	46.2	4.14	3.3	46.6	4.21	3.24	47.0	4.28	3.22
	70	45.2	3.70	3.6	45.4	3.76	3.53	45.6	3.83	3.49
	80	44.2	3.26	4.0	44.2	3.32	3.90	44.2	3.37	3.84
40	60	38.0	11.90	0.9	40.7	7.96	1.50	43.3	4.02	3.16
	70	39.1	7.47	1.5	40.8	5.54	2.16	42.4	3.61	3.44
	80	40.3	3.04	3.9	40.9	3.15	3.80	41.5	3.23	3.76
30	60	34.0	3.23	3.1	33.9	3.22	3.08	33.9	3.22	3.08
	70	33.0	2.88	3.4	33.3	2.92	3.35	33.7	2.95	3.34
	80	32.1	2.53	3.7	32.8	2.61	3.68	33.5	2.69	3.65
17	60	27.9	2.82	2.9	28.4	2.85	2.92	29.0	2.87	2.96
	70	26.3	2.49	3.1	27.2	2.54	3.14	28.0	2.58	3.18
	80	24.8	2.15	3.4	26.0	2.22	3.42	27.1	2.29	3.46
10	60	28.3	2.81	2.95	29.0	2.84	2.99	29.67	2.87	3.02
	70	27.6	2.54	3.22	28.1	2.56	3.25	28.6	2.58	3.28
	80	27.0	2.27	3.49	27.3	2.28	3.51	27.6	2.29	3.53
0	60	20.0	2.23	2.61	20.5	2.25	2.64	21.0	2.28	2.67
	70	19.5	2.01	2.84	19.9	2.03	2.87	20.2	2.05	2.89
	80	19.1	1.80	3.08	19.3	1.81	3.10	19.5	1.82	3.12
-10	60	14.3	1.68	2.46	14.6	1.70	2.49	15.0	1.72	2.52
	70	13.9	1.52	2.68	14.2	1.53	2.71	14.4	1.55	2.73
	80	13.6	1.36	2.91	13.8	1.37	2.93	13.9	1.37	2.94
-20	60	8.6	1.08	2.32	8.8	1.10	2.34	9.0	1.11	2.37
	70	8.4	0.98	2.53	8.6	0.99	2.55	8.7	0.99	2.57
	80	8.2	0.87	2.74	8.3	0.88	2.75	8.4	0.88	2.77

**NOTE:** ALL CAPACITIES INCLUDE INDOOR FAN HEAT. KW VALUES ARE FOR THE SYSTEM (OUTDOOR + INDOOR).  
 Yellow shaded cells are AHRI High Heating conditions.  
 Orange shaded cells are AHRI Low Heating conditions.

**Multipliers for determining the performance with other indoor sections.**

**COIL MULTIPLIERS - 4 TON**

Air Handler	Coil	MBH	COP	KW
AE60CX22	–	0.99	1.03	0.96
AE60DX21	–	1.00	1.08	0.93
AVC60DX21	–	1.01	1.08	0.94
ME16CN21	CF/CM50C	0.98	0.94	1.04
ME16CN21	CF/CM60C	1.00	1.03	0.97
ME20DN21	CF/CM60D	0.99	1.06	0.93
ME20DN21	CF/CM61D	0.97	0.96	1.01
ME20DN21	CF/CM64D	1.01	1.10	0.92
MV20DN21	CF/CM61D	1.00	1.00	1.00
MVC16CN21	CF/CM50C	0.97	0.95	1.02
MVC16CN21	CF/CM60C	0.99	1.03	0.96
MVC20DN21	CF/CM60D	0.98	1.04	0.94
MVC20DN21	CF/CM64D	1.02	1.12	0.91

**FURNACE MULTIPLIERS - 4 TON**

Furnaces	Coil	MBH	COP	KW
TM8V080C16MP12C	CF/CM50C	0.98	0.93	1.06
TM8V080C16MP12C	CF/CM/CU60C	0.99	1.00	0.99
TM8V080C16MP12C	CF/CM/CU60D	0.99	1.01	0.98
TM8V080C16MP12C	CF/CM61D	0.97	0.93	1.05
TM8V080C16MP12C	CF/CM64D	1.02	1.06	0.97
TM8V100C16MP12C	CF/CM50C	0.98	0.93	1.06
TM8V100C16MP12C	CF/CM/CU60C	0.99	1.00	0.99
TM8V100C16MP12C	CF/CM/CU60D	0.99	1.01	0.98
TM8V100C16MP12C	CF/CM61D	0.97	0.93	1.05
TM8V100C16MP12C	CF/CM64D	1.02	1.06	0.97
TM8V100C20MP12C	CF/CM50C	0.98	0.94	1.05
TM8V100C20MP12C	CF/CM/CU60C	0.99	1.02	0.97
TM8V100C20MP12C	CF/CM/CU60D	0.99	1.02	0.97
TM8V100C20MP12C	CF/CM61D	0.98	0.94	1.04
TM8V100C20MP12C	CF/CM64D	1.01	1.06	0.95
TM8V120C20MP12C	CF/CM50C	0.98	0.94	1.05
TM8V120C20MP12C	CF/CM/CU60C	0.99	1.02	0.97
TM8V120C20MP12C	CF/CM/CU60D	0.99	1.02	0.97
TM8V120C20MP12C	CF/CM61D	0.98	0.94	1.04
TM8V120C20MP12C	CF/CM64D	1.01	1.06	0.95
TM8X080C16MP11	CF/CM50C	1.00	0.93	1.08
TM8X080C16MP11	CF/CM/CU60C	0.99	0.99	0.99
TM8X080C16MP11	CF/CM/CU60D	0.99	1.01	0.98
TM8X080C16MP11	CF/CM61D	0.97	0.93	1.05
TM8X080C16MP11	CF/CM64D	1.01	1.05	0.96
TM8X100C16MP11	CF/CM50C	1.00	0.93	1.08
TM8X100C16MP11	CF/CM/CU60C	0.99	0.99	0.99
TM8X100C16MP11	CF/CM/CU60D	0.99	1.01	0.98
TM8X100C16MP11	CF/CM61D	0.97	0.93	1.05
TM8X100C16MP11	CF/CM64D	1.01	1.05	0.96
TM8X100C20MP11	CF/CM50C	0.99	0.94	1.05
TM8X100C20MP11	CF/CM50C	0.96	0.94	1.02
TM8X100C20MP11	CF/CM/CU60C	0.99	1.01	0.98
TM8X100C20MP11	CF/CM/CU60D	0.99	1.02	0.97
TM8X100C20MP11	CF/CM61D	0.96	0.94	1.02
TM8X100C20MP11	CF/CM64D	1.01	1.06	0.95
TM8X120C20MP11	CF/CM50C	0.99	0.94	1.05
TM8X120C20MP11	CF/CM50C	0.96	0.94	1.02

**FURNACE MULTIPLIERS - 4 TON (Continued)**

Furnaces	Coil	MBH	COP	KW
TM8X120C20MP11	CF/CM/CU60C	0.99	1.01	0.98
TM8X120C20MP11	CF/CM/CU60D	0.99	1.02	0.97
TM8X120C20MP11	CF/CM61D	0.96	0.94	1.02
TM8X120C20MP11	CF/CM64D	1.01	1.06	0.95
TM8Y080C16MP11	CF/CM50C	1.00	0.93	1.08
TM8Y080C16MP11	CF/CM/CU60C	0.99	0.99	0.99
TM8Y080C16MP11	CF/CM/CU60D	0.99	1.01	0.98
TM8Y080C16MP11	CF/CM61D	0.97	0.93	1.05
TM8Y080C16MP11	CF/CM64D	1.01	1.05	0.96
TM8Y100C16MP11	CF/CM50C	1.00	0.93	1.08
TM8Y100C16MP11	CF/CM/CU60C	0.99	0.99	0.99
TM8Y100C16MP11	CF/CM/CU60D	0.99	1.01	0.98
TM8Y100C16MP11	CF/CM61D	0.97	0.93	1.05
TM8Y100C16MP11	CF/CM64D	1.01	1.05	0.96
TM8Y100C20MP11	CF/CM50C	0.96	0.94	1.02
TM8Y100C20MP11	CF/CM50C	0.99	0.94	1.05
TM8Y100C20MP11	CF/CM/CU60C	0.99	1.01	0.98
TM8Y100C20MP11	CF/CM/CU60D	0.99	1.02	0.97
TM8Y100C20MP11	CF/CM61D	0.96	0.94	1.02
TM8Y100C20MP11	CF/CM64D	1.01	1.06	0.95
TM8Y120C20MP11	CF/CM50C	0.99	0.94	1.05
TM8Y120C20MP11	CF/CM50C	0.96	0.94	1.02
TM8Y120C20MP11	CF/CM/CU60C	0.99	1.01	0.98
TM8Y120C20MP11	CF/CM/CU60D	0.99	1.02	0.97
TM8Y120C20MP11	CF/CM61D	0.96	0.94	1.02
TM8Y120C20MP11	CF/CM64D	1.01	1.06	0.95
TM9E080C16MP11	CF/CM50C	0.97	0.91	1.06
TM9E080C16MP11	CF/CM61D	0.98	0.91	1.07
TM9E080C16MP11	CF/CM64D	1.02	1.04	0.98
TM9E100C16MP11	CF/CM50C	0.97	0.92	1.05
TM9E100C16MP11	CF/CM/CU60C	1.00	0.99	1.01
TM9E100C16MP11	CF/CM/CU60D	1.00	1.00	1.00
TM9E100C16MP11	CF/CM61D	0.97	0.92	1.05
TM9E100C16MP11	CF/CM64D	1.02	1.05	0.97
TM9E100C20MP11	CF/CM50C	0.99	0.93	1.06
TM9E100C20MP11	CF/CM/CU60D	0.99	1.00	0.99
TM9E100C20MP11	CF/CM61D	1.00	0.94	1.07
TM9E100C20MP11	CF/CM64D	1.03	1.07	0.97
TM9E120D20MP11	CF/CM/CU60D	0.99	1.02	0.97
TM9E120D20MP11	CF/CM61D	0.97	0.94	1.03
TM9E120D20MP11	CF/CM64D	1.01	1.06	0.95
TM9V080C16MP12C	CF/CM50C	0.98	0.91	1.07
TM9V080C16MP12C	CF/CM/CU60D	0.99	0.99	0.99
TM9V080C16MP12C	CF/CM61D	0.97	0.92	1.05
TM9V080C16MP12C	CF/CM64D	1.02	1.04	0.98
TM9V100C16MP12C	CF/CM50C	0.98	0.93	1.05
TM9V100C16MP12C	CF/CM/CU60C	1.00	1.01	0.99
TM9V100C16MP12C	CF/CM/CU60D	0.99	1.02	0.97
TM9V100C16MP12C	CF/CM61D	0.98	0.93	1.05
TM9V100C16MP12C	CF/CM64D	1.02	1.06	0.96
TM9V100C20MP12C	CF/CM50C	0.97	0.93	1.05
TM9V100C20MP12C	CF/CM/CU60C	0.99	1.00	0.99
TM9V100C20MP12C	CF/CM/CU60D	0.99	1.01	0.98
TM9V100C20MP12C	CF/CM61D	0.97	0.93	1.05
TM9V100C20MP12C	CF/CM64D	1.02	1.06	0.96



## FURNACE MULTIPLIERS - 4 TON (Continued)

Furnaces	Coil	MBH	COP	KW
TM9V120D20MP12C	CF/CM/CU60D	0.99	1.02	0.97
TM9V120D20MP12C	CF/CM61D	0.97	0.94	1.03
TM9V120D20MP12C	CF/CM64D	1.01	1.07	0.95
TM9Y080C16MP11	CF/CM50C	0.97	0.91	1.06
TM9Y080C16MP11	CF/CM61D	0.98	0.91	1.07
TM9Y080C16MP11	CF/CM64D	1.02	1.04	0.98
TM9Y100C16MP11	CF/CM50C	0.97	0.92	1.05
TM9Y100C16MP11	CF/CM/CU60C	1.00	0.99	1.01
TM9Y100C16MP11	CF/CM/CU60D	1.00	1.00	1.00
TM9Y100C16MP11	CF/CM61D	0.97	0.92	1.05
TM9Y100C16MP11	CF/CM64D	1.02	1.05	0.97
TM9Y100C20MP11	CF/CM50C	0.99	0.93	1.06
TM9Y100C20MP11	CF/CM/CU60D	0.99	1.00	0.99
TM9Y100C20MP11	CF/CM61D	1.00	0.94	1.07
TM9Y100C20MP11	CF/CM64D	1.03	1.07	0.97
TM9Y120D20MP11	CF/CM/CU60D	0.99	1.02	0.97
TM9Y120D20MP11	CF/CM61D	0.97	0.94	1.03
TM9Y120D20MP11	CF/CM64D	1.01	1.06	0.95
TMLV080C16MP12C	CF/CM50C	0.98	0.93	1.06
TMLV080C16MP12C	CF/CM/CU60C	0.99	1.00	0.99
TMLV080C16MP12C	CF/CM/CU60D	0.99	1.01	0.98
TMLV080C16MP12C	CF/CM61D	0.97	0.93	1.05
TMLV080C16MP12C	CF/CM64D	1.02	1.06	0.97
TMLV100C16MP12C	CF/CM50C	0.98	0.93	1.06
TMLV100C16MP12C	CF/CM/CU60C	0.99	1.00	0.99
TMLV100C16MP12C	CF/CM/CU60D	0.99	1.01	0.98
TMLV100C16MP12C	CF/CM61D	0.97	0.93	1.05
TMLV100C16MP12C	CF/CM64D	1.02	1.06	0.97
TMLV100C20MP12C	CF/CM50C	0.98	0.94	1.05
TMLV100C20MP12C	CF/CM/CU60C	0.99	1.02	0.97
TMLV100C20MP12C	CF/CM/CU60D	0.99	1.02	0.97
TMLV100C20MP12C	CF/CM61D	0.98	0.94	1.04
TMLV100C20MP12C	CF/CM64D	1.01	1.06	0.95
TMLV120C20MP12C	CF/CM50C	0.98	0.94	1.05
TMLV120C20MP12C	CF/CM/CU60C	0.99	1.02	0.97
TMLV120C20MP12C	CF/CM/CU60D	0.99	1.02	0.97
TMLV120C20MP12C	CF/CM61D	0.98	0.94	1.04
TMLV120C20MP12C	CF/CM64D	1.01	1.06	0.95
TMLX080C16MP11	CF/CM50C	1.00	0.93	1.08
TMLX080C16MP11	CF/CM/CU60C	0.99	0.99	0.99
TMLX080C16MP11	CF/CM/CU60D	0.99	1.01	0.98
TMLX080C16MP11	CF/CM61D	0.97	0.93	1.05
TMLX080C16MP11	CF/CM64D	1.01	1.05	0.96
TMLX100C16MP11	CF/CM50C	1.00	0.93	1.08
TMLX100C16MP11	CF/CM/CU60C	0.99	0.99	0.99
TMLX100C16MP11	CF/CM/CU60D	0.99	1.01	0.98
TMLX100C16MP11	CF/CM61D	0.97	0.93	1.05
TMLX100C16MP11	CF/CM64D	1.01	1.05	0.96
TMLX100C20MP11	CF/CM50C	0.96	0.94	1.02
TMLX100C20MP11	CF/CM50C	0.99	0.94	1.05
TMLX100C20MP11	CF/CM/CU60C	0.99	1.01	0.98
TMLX100C20MP11	CF/CM/CU60D	0.99	1.02	0.97
TMLX100C20MP11	CF/CM61D	0.96	0.94	1.02
TMLX100C20MP11	CF/CM64D	1.01	1.06	0.95
TMLX120C20MP11	CF/CM50C	0.99	0.94	1.05

## FURNACE MULTIPLIERS - 4 TON (Continued)

Furnaces	Coil	MBH	COP	KW
TMLX120C20MP11	CF/CM50C	0.96	0.94	1.02
TMLX120C20MP11	CF/CM/CU60C	0.99	1.01	0.98
TMLX120C20MP11	CF/CM/CU60D	0.99	1.02	0.97
TMLX120C20MP11	CF/CM61D	0.96	0.94	1.02
TMLX120C20MP11	CF/CM64D	1.01	1.06	0.95
TP9C080C16MP13C	CF/CM50C	0.98	0.91	1.07
TP9C080C16MP13C	CF/CM/CU60D	0.99	0.99	0.99
TP9C080C16MP13C	CF/CM61D	0.97	0.92	1.05
TP9C080C16MP13C	CF/CM64D	1.02	1.04	0.98
TP9C100C16MP13C	CF/CM50C	0.98	0.93	1.05
TP9C100C16MP13C	CF/CM/CU60C	1.00	1.01	0.99
TP9C100C16MP13C	CF/CM/CU60D	0.99	1.02	0.97
TP9C100C16MP13C	CF/CM61D	0.98	0.93	1.05
TP9C100C16MP13C	CF/CM64D	1.02	1.06	0.96
TP9C100C20MP13C	CF/CM50C	0.97	0.93	1.05
TP9C100C20MP13C	CF/CM/CU60C	0.99	1.00	0.99
TP9C100C20MP13C	CF/CM/CU60D	0.99	1.01	0.98
TP9C100C20MP13C	CF/CM61D	0.97	0.93	1.05
TP9C100C20MP13C	CF/CM64D	1.02	1.06	0.96
TP9C120D20MP13C	CF/CM/CU60D	0.99	1.02	0.97
TP9C120D20MP13C	CF/CM61D	0.97	0.94	1.03
TP9C120D20MP13C	CF/CM64D	1.01	1.07	0.95
TPLC080C16MP13C	CF/CM50C	0.98	0.93	1.06
TPLC080C16MP13C	CF/CM/CU60C	0.99	1.00	0.99
TPLC080C16MP13C	CF/CM/CU60D	0.99	1.01	0.98
TPLC080C16MP13C	CF/CM61D	0.97	0.93	1.05
TPLC080C16MP13C	CF/CM64D	1.02	1.06	0.97
TPLC100C16MP13C	CF/CM50C	0.98	0.93	1.06
TPLC100C16MP13C	CF/CM/CU60C	0.99	1.00	0.99
TPLC100C16MP13C	CF/CM/CU60D	0.99	1.01	0.98
TPLC100C16MP13C	CF/CM61D	0.97	0.93	1.05
TPLC100C16MP13C	CF/CM64D	1.02	1.06	0.97
TPLC100C20MP13C	CF/CM50C	0.98	0.94	1.05
TPLC100C20MP13C	CF/CM/CU60C	0.99	1.02	0.97
TPLC100C20MP13C	CF/CM/CU60D	0.99	1.02	0.97
TPLC100C20MP13C	CF/CM61D	0.98	0.94	1.04
TPLC100C20MP13C	CF/CM64D	1.01	1.06	0.95
TPLC120C20MP13C	CF/CM50C	0.98	0.94	1.05
TPLC120C20MP13C	CF/CM/CU60C	0.99	1.02	0.97
TPLC120C20MP13C	CF/CM/CU60D	0.99	1.02	0.97
TPLC120C20MP13C	CF/CM61D	0.98	0.94	1.04
TPLC120C20MP13C	CF/CM64D	1.01	1.06	0.95
YP9C080C16MP13C	CF/CM50C	0.98	0.91	1.07
YP9C080C16MP13C	CF/CM/CU60D	0.99	0.99	0.99
YP9C080C16MP13C	CF/CM61D	0.97	0.92	1.05
YP9C080C16MP13C	CF/CM64D	1.02	1.04	0.98
YP9C100C16MP13C	CF/CM50C	0.98	0.93	1.05
YP9C100C16MP13C	CF/CM/CU60C	1.00	1.01	0.99
YP9C100C16MP13C	CF/CM/CU60D	0.99	1.02	0.97
YP9C100C16MP13C	CF/CM61D	0.98	0.93	1.05
YP9C100C16MP13C	CF/CM64D	1.02	1.06	0.96
YP9C100C20MP13C	CF/CM50C	0.97	0.93	1.05
YP9C100C20MP13C	CF/CM/CU60C	0.99	1.00	0.99
YP9C100C20MP13C	CF/CM/CU60D	0.99	1.01	0.98
YP9C100C20MP13C	CF/CM61D	0.97	0.93	1.05

**FURNACE MULTIPLIERS - 4 TON (Continued)**

Furnaces	Coil	MBH	COP	KW
YP9C100C20MP13C	CF/CM64D	1.02	1.06	0.96
YP9C120D20MP13C	CF/CM/CU60D	0.99	1.02	0.97
YP9C120D20MP13C	CF/CM61D	0.97	0.94	1.03
YP9C120D20MP13C	CF/CM64D	1.01	1.07	0.95
YPLC080C16MP13C	CF/CM50C	0.98	0.93	1.06
YPLC080C16MP13C	CF/CM/CU60C	0.99	1.00	0.99
YPLC080C16MP13C	CF/CM/CU60D	0.99	1.01	0.98
YPLC080C16MP13C	CF/CM61D	0.97	0.93	1.05
YPLC080C16MP13C	CF/CM64D	1.02	1.06	0.97
YPLC100C16MP13C	CF/CM50C	0.98	0.93	1.06
YPLC100C16MP13C	CF/CM/CU60C	0.99	1.00	0.99
YPLC100C16MP13C	CF/CM/CU60D	0.99	1.01	0.98
YPLC100C16MP13C	CF/CM61D	0.97	0.93	1.05

**FURNACE MULTIPLIERS - 4 TON (Continued)**

Furnaces	Coil	MBH	COP	KW
YPLC100C16MP13C	CF/CM64D	1.02	1.06	0.97
YPLC100C20MP13C	CF/CM50C	0.98	0.94	1.05
YPLC100C20MP13C	CF/CM/CU60C	0.99	1.02	0.97
YPLC100C20MP13C	CF/CM/CU60D	0.99	1.02	0.97
YPLC100C20MP13C	CF/CM61D	0.98	0.94	1.04
YPLC100C20MP13C	CF/CM64D	1.01	1.06	0.95
YPLC120C20MP13C	CF/CM50C	0.98	0.94	1.05
YPLC120C20MP13C	CF/CM/CU60C	0.99	1.02	0.97
YPLC120C20MP13C	CF/CM/CU60D	0.99	1.02	0.97
YPLC120C20MP13C	CF/CM61D	0.98	0.94	1.04
YPLC120C20MP13C	CF/CM64D	1.01	1.06	0.95

**PERFORMANCE DATA - 5 TON**

CONDENSER-ONLY DATA (OUTDOOR UNIT)																
MODEL	SATURATED SUCTION @ COMPRESSOR		Outdoor Ambient Temperature													
			65 °F		75 °F		85 °F		95 °F		105 °F		115 °F		125 °F	
	T (°F)	P (PSIG)	MBH	KW	MBH	KW	MBH	KW	MBH	KW	MBH	KW	MBH	KW	MBH	KW
YHG60B21S	35	107	50.4	2.40	48.1	2.83	45.8	3.26	43.5	3.69	41.2	4.12	38.9	4.55	36.6	4.98
	40	119	56.2	2.47	53.5	2.89	50.8	3.31	48.1	3.72	45.4	4.14	42.7	4.56	40.0	4.98
	45	130	62.0	2.53	58.9	2.94	55.8	3.35	52.7	3.76	49.6	4.17	46.5	4.58	43.4	4.99
	50	143	67.8	2.60	64.3	3.00	60.8	3.40	57.3	3.79	53.8	4.19	50.3	4.59	46.8	4.99
	55	156	73.6	2.66	69.7	3.05	65.8	3.44	61.9	3.83	58.0	4.22	54.1	4.61	50.2	5.00
	60	170	79.4	2.73	75.1	3.11	70.8	3.49	66.5	3.87	62.2	4.24	57.9	4.62	53.6	5.00

**Notes:**

- For Outdoor Unit (Condenser) performance only. Data does not include the effects of air handler power or heat.
- Performance based on 15°F subcooling and 15°F superheat at the Outdoor Unit base valves.
  - Increase capacity by 1% for each 2°F increase in subcooling.
  - Decrease capacity by 1% for each 2°F decrease in subcooling.
- Maximum recommended condensing temperature is 140°F.

COOLING PERFORMANCE DATA																
AIR CONDITIONER MODEL NO.		YHG60B21S														
AIR TEMP. ENTERING OUTDOOR UNIT (°F)	IDCFM	1500					1750					2000				
	ID DB (°F)	80	80	75	80	80	80	80	75	80	80	80	80	75	80	80
	ID WB (°F)	57	62	62	67	72	57	62	62	67	72	57	62	62	67	72
65	T.C.	52.6	56.7	55.1	61.0	66.9	54.5	58.5	56.5	62.7	73.0	56.4	60.3	57.8	64.4	79.1
	S.C.	52.6	47.5	40.5	40.1	31.9	54.5	51.1	43.4	42.6	33.4	56.4	54.7	46.2	45.2	34.8
	KW	3.14	3.14	3.15	3.17	3.21	3.24	3.24	3.25	3.27	3.31	3.34	3.34	3.35	3.37	3.41
75	T.C.	50.8	54.5	53.0	58.2	64.9	52.8	56.2	54.5	59.7	75.8	54.8	57.9	56.1	61.1	86.8
	S.C.	50.8	46.2	39.3	38.8	31.1	52.8	49.7	42.2	41.4	32.8	54.8	53.1	45.1	44.1	34.4
	KW	3.41	3.42	3.43	3.44	3.49	3.52	3.52	3.53	3.54	3.59	3.62	3.61	3.62	3.63	3.69
85	T.C.	49.5	52.4	51.0	56.0	62.1	51.4	54.2	52.4	57.4	68.3	53.4	55.9	53.7	58.8	74.4
	S.C.	49.5	45.5	38.4	38.0	29.9	51.4	49.0	41.2	40.7	31.5	53.4	52.6	44.0	43.3	33.1
	KW	3.80	3.80	3.81	3.82	3.87	3.90	3.90	3.91	3.92	3.97	4.00	3.99	4.00	4.01	4.06
95	T.C.	48.2	50.4	49.0	53.8	59.4	50.1	52.1	50.2	55.2	60.7	52.0	53.8	51.4	56.5	62.0
	S.C.	47.8	44.7	37.5	37.3	28.8	49.9	48.4	40.2	39.9	30.3	52.0	52.1	42.9	42.5	31.8
	KW	4.18	4.18	4.19	4.21	4.25	4.28	4.28	4.29	4.30	4.34	4.39	4.38	4.38	4.39	4.44
105	T.C.	46.3	48.4	46.8	51.5	56.6	48.1	50.3	48.0	52.8	57.9	49.9	52.1	49.1	54.1	59.1
	S.C.	46.0	43.4	36.5	36.2	27.9	47.9	46.7	39.1	38.8	29.5	49.9	49.9	41.7	41.4	31.0
	KW	4.58	4.58	4.60	4.61	4.65	4.68	4.68	4.69	4.70	4.75	4.78	4.78	4.78	4.80	4.85
115	T.C.	44.4	46.5	44.7	49.1	53.8	46.1	48.4	45.8	50.4	55.0	47.9	50.4	46.9	51.6	56.2
	S.C.	44.1	42.2	35.4	35.1	27.1	45.9	45.0	38.0	37.7	28.7	47.7	47.8	40.5	40.3	30.3
	KW	4.98	4.98	5.00	5.01	5.06	5.08	5.08	5.09	5.11	5.16	5.18	5.18	5.19	5.20	5.25
125	T.C.	42.6	44.6	42.6	46.8	50.9	44.2	46.6	43.6	48.0	52.1	45.8	48.6	44.6	49.2	53.3
	S.C.	42.3	40.9	34.3	34.1	26.3	44.0	43.3	36.8	36.6	27.9	45.6	45.7	39.3	39.2	29.6
	KW	5.38	5.38	5.40	5.42	5.47	5.48	5.48	5.49	5.51	5.56	5.58	5.57	5.59	5.60	5.66

NOTE: ALL CAPACITIES INCLUDE INDOOR FAN HEAT. KW VALUES ARE FOR THE SYSTEM (OUTDOOR + INDOOR).

Green shaded cells are ACCA (TVA) conditions.

Blue shaded cells are AHRI conditions.

### Multipliers for determining the performance with other indoor sections.

NOTE: For dry bulb temperatures different than those listed (between 73-87 °F), sensible capacity increases by 1060 BTUH per 1000 CFM per degree above the listed temperature and decreases by 1060 BTUH per 1000 CFM per degree below the listed temperature.

### COIL MULTIPLIERS - 5 TON

Air Handler	Coil	T.C.	S.C.	KW
-	CF/CM64D	1.08	1.12	1.08
AE60DX21	-	1.08	1.03	1.04
AVC60DX21	-	1.08	1.06	1.04
ME20DN21	CF/CM64D	1.08	1.06	1.04
MVC20DN21	CF/CM61D	1.00	1.00	1.00
MVC20DN21	CF/CM64D	1.08	1.05	1.00

### FURNACE MULTIPLIERS - 5 TON

Furnaces	Coil	T.C.	S.C.	KW
TM8V100C20MP12C	CF/CM64D	1.08	1.06	1.04
TM8V120C20MP12C	CF/CM64D	1.08	1.06	1.04
TM8X100C20MP11	CF/CM64D	1.08	1.05	1.04
TM8X120C20MP11	CF/CM64D	1.08	1.05	1.04
TM8Y100C20MP11	CF/CM64D	1.08	1.05	1.04
TM8Y120C20MP11	CF/CM64D	1.08	1.05	1.04
TM9E100C20MP11	CF/CM64D	1.08	1.03	1.03

### FURNACE MULTIPLIERS - 5 TON (Continued)

Furnaces	Coil	T.C.	S.C.	KW
TM9E120D20MP11	CF/CM64D	1.08	1.05	1.04
TM9V100C20MP12C	CF/CM64D	1.08	1.06	1.04
TM9V120D20MP12C	CF/CM64D	1.08	1.08	1.04
TM9Y100C20MP11	CF/CM64D	1.08	1.03	1.03
TM9Y120D20MP11	CF/CM64D	1.08	1.05	1.04
TMLV100C20MP12C	CF/CM64D	1.08	1.06	1.04
TMLV120C20MP12C	CF/CM64D	1.08	1.06	1.04
TMLX100C20MP11	CF/CM64D	1.08	1.05	1.04
TMLX120C20MP11	CF/CM64D	1.08	1.05	1.04
TP9C100C20MP13C	CF/CM64D	1.08	1.06	1.04
TP9C120D20MP13C	CF/CM64D	1.08	1.08	1.04
TPLC100C20MP13C	CF/CM64D	1.08	1.06	1.04
TPLC120C20MP13C	CF/CM64D	1.08	1.06	1.04
YP9C100C20MP13C	CF/CM64D	1.08	1.06	1.04
YP9C120D20MP13C	CF/CM64D	1.08	1.08	1.04
YPLC100C20MP13C	CF/CM64D	1.08	1.06	1.04
YPLC120C20MP13C	CF/CM64D	1.08	1.06	1.04

HEATING PERFORMANCE DATA										
CONDENSING UNIT MODEL NO		YHG60B21S								
AIR TEMP. ENTERING OUTDOOR UNIT (°F)	AIR TEMP. ENTERING INDOOR COIL (°F)	ID CFM								
		1500			1750			2000		
		MBH	COP	KW	MBH	COP	KW	MBH	COP	KW
60	60	69.8	4.64	4.41	71.0	4.82	4.32	72.1	5.01	4.22
	70	68.3	4.15	4.87	69.3	4.33	4.75	70.3	4.50	4.62
	80	66.7	3.67	5.33	67.6	3.83	5.18	68.4	3.99	5.02
47	60	60.0	4.06	4.33	60.5	4.19	4.23	61.1	4.32	4.14
	70	58.8	3.64	4.79	58.7	3.76	4.63	58.6	3.88	4.46
	80	57.6	3.22	5.24	56.9	3.33	5.02	56.2	3.44	4.79
40	60	53.2	3.66	4.25	53.8	3.79	4.16	54.4	3.91	4.07
	70	51.4	3.22	4.75	52.3	3.35	4.64	53.1	3.49	4.52
	80	49.7	2.78	5.25	50.8	2.92	5.11	51.9	3.06	4.97
30	60	45.2	3.21	4.12	42.4	3.09	4.02	39.6	2.96	3.92
	70	43.9	2.84	4.59	42.8	2.85	4.44	41.8	2.86	4.29
	80	42.6	2.46	5.06	43.3	2.61	4.86	44.0	2.76	4.67
17	60	38.6	2.91	3.89	39.0	2.97	3.85	39.3	3.02	3.80
	70	38.3	2.70	4.18	38.8	2.75	4.16	39.3	2.80	4.13
	80	37.9	2.48	4.48	38.7	2.53	4.47	39.4	2.58	4.46
10	60	29.9	2.38	3.67	34.2	2.67	3.75	38.54	2.95	3.83
	70	32.7	2.33	4.12	34.9	2.48	4.14	37.1	2.63	4.17
	80	35.5	2.28	4.56	35.6	2.30	4.54	35.7	2.32	4.51
0	60	24.8	2.23	3.24	28.4	2.49	3.31	32.0	2.76	3.38
	70	27.1	2.18	3.64	29.0	2.32	3.66	30.8	2.46	3.68
	80	29.4	2.13	4.03	29.5	2.15	4.00	29.6	2.17	3.98
-10	60	18.0	1.58	3.32	20.6	1.76	3.39	23.2	1.95	3.46
	70	19.6	1.54	3.72	21.0	1.64	3.74	22.3	1.74	3.76
	80	21.3	1.51	4.12	21.4	1.52	4.10	21.5	1.53	4.07
-20	60	12.3	1.12	3.19	14.1	1.26	3.26	15.9	1.39	3.33
	70	13.5	1.10	3.58	14.4	1.17	3.60	15.3	1.24	3.62
	80	14.6	1.07	3.97	14.7	1.08	3.94	14.7	1.09	3.92

NOTE: ALL CAPACITIES INCLUDE INDOOR FAN HEAT. KW VALUES ARE FOR THE SYSTEM (OUTDOOR + INDOOR).

Yellow shaded cells are AHRI High Heating conditions.

Orange shaded cells are AHRI Low Heating conditions.

**Multipliers for determining the performance with other indoor sections.**

**COIL MULTIPLIERS - 5 TON**

Air Handler	Coil	T.C.	S.C.	KW
-	CF/CM64D	1.05	1.12	0.94
AE60DX21	-	1.05	1.09	0.96
AVC60DX21	-	1.05	1.09	0.96
ME20DN21	CF/CM64D	1.05	1.12	0.93
MVC20DN21	CF/CM61D	1.00	1.00	1.00
MVC20DN21	CF/CM64D	1.05	1.11	0.94

**FURNACE MULTIPLIERS - 5 TON (Continued)**

Furnaces	Coil	T.C.	S.C.	KW
TM9E120D20MP11	CF/CM64D	1.05	1.08	0.97
TM9V100C20MP12C	CF/CM64D	1.05	1.08	0.97
TM9V120D20MP12C	CF/CM64D	1.05	1.09	0.96
TM9Y100C20MP11	CF/CM64D	1.05	1.07	0.98
TM9Y120D20MP11	CF/CM64D	1.05	1.08	0.97
TMLV100C20MP12C	CF/CM64D	1.05	1.09	0.96
TMLV120C20MP12C	CF/CM64D	1.05	1.09	0.96
TMLX100C20MP11	CF/CM64D	1.05	1.08	0.97
TMLX120C20MP11	CF/CM64D	1.05	1.08	0.97
TP9C100C20MP13C	CF/CM64D	1.05	1.08	0.97
TP9C120D20MP13C	CF/CM64D	1.05	1.09	0.96
TPLC100C20MP13C	CF/CM64D	1.05	1.09	0.96
TPLC120C20MP13C	CF/CM64D	1.05	1.09	0.96
YP9C100C20MP13C	CF/CM64D	1.05	1.08	0.97
YP9C120D20MP13C	CF/CM64D	1.05	1.09	0.96
YPLC100C20MP13C	CF/CM64D	1.05	1.09	0.96
YPLC120C20MP13C	CF/CM64D	1.05	1.09	0.96

**FURNACE MULTIPLIERS - 5 TON**

Furnaces	Coil	T.C.	S.C.	KW
TM8V100C20MP12C	CF/CM64D	1.05	1.09	0.96
TM8V120C20MP12C	CF/CM64D	1.05	1.09	0.96
TM8X100C20MP11	CF/CM64D	1.05	1.08	0.97
TM8X120C20MP11	CF/CM64D	1.05	1.08	0.97
TM8Y100C20MP11	CF/CM64D	1.05	1.08	0.97
TM8Y120C20MP11	CF/CM64D	1.05	1.08	0.97
TM9E100C20MP11	CF/CM64D	1.05	1.07	0.98